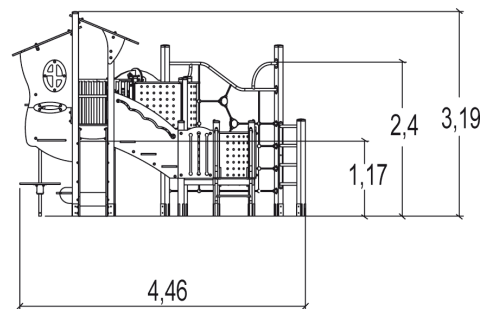
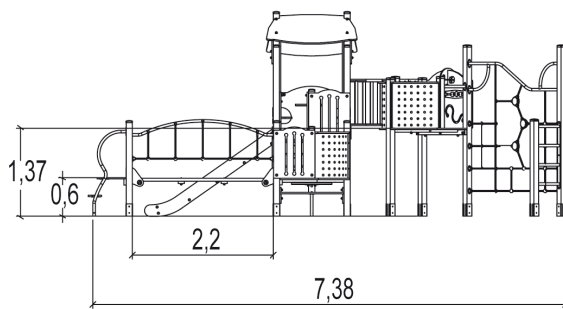








**2+** | **28** | **2,4m** | **1 = 7,5m 2 = 4,6m 3 = 3,2m**



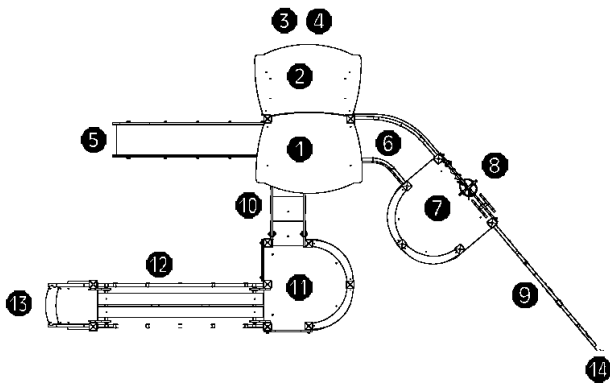
**Play value**

 climbing x2	 sliding x1	 handling x3	 climbing x2	 getting across x1
meeting / role play  x5				

Number of play elements: 14

**Accessibility**

	Motor disability	<input type="checkbox"/>
	Sensorial Disabilities	<input type="checkbox"/>
	Learning Disabilities	<input type="checkbox"/>

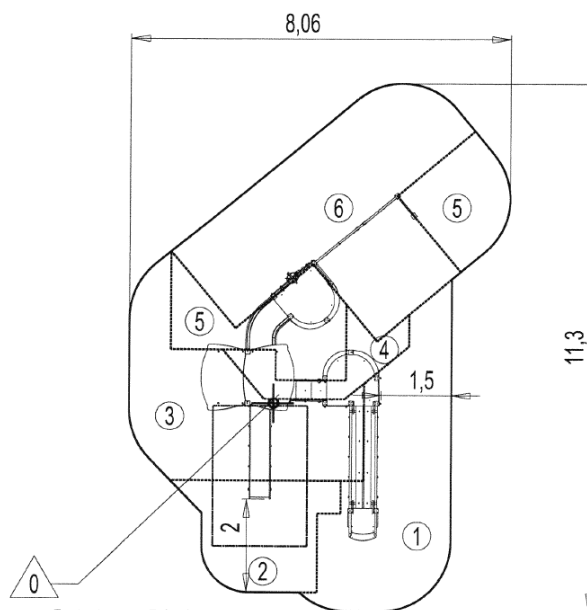


- ① Covered platform HT: 1.17m
- ② Open house
- ③ Table under platform
- ④ Bench
- ⑤ Slide
- ⑥ Curved bridge (under 36 months)
- ⑦ Platform with double balcony HT: 1.37m
- ⑧ Play panel
- ⑨ Net 1.37m L: 2.2m h 2.4m
- ⑩ Stairs between platforms 0.6m L: 0.45m
- ⑪ Platform with double balcony HT: 0.6m
- ⑫ Simple catwalk
- ⑬ 2 Step Access
- ⑭ Supporting ladder

## Installation of equipment

Impact area =

- Impact area
- Free space



Point de Référence  
Setting Out Point  
Punto de referencia  
Bezugspunkt  
Referentiepunt

1	0,60m	13m <sup>2</sup>
2	1,00m	6,5m <sup>2</sup>
3	1,17m	12,5m <sup>2</sup>
4	1,37m	3m <sup>2</sup>
5	1,43m	10m <sup>2</sup>
6	2,4m	18,5m <sup>2</sup>



2



32h00



0.6m<sup>3</sup>



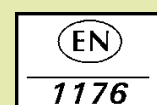
63.5m<sup>2</sup>



781kg



29kg



*Proludic*

2013-09-05