

# Balancing and climbing equipment

**J3903**



0.5-5



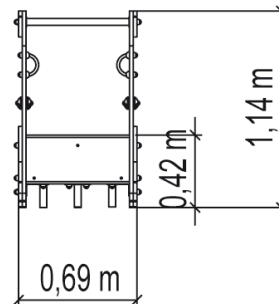
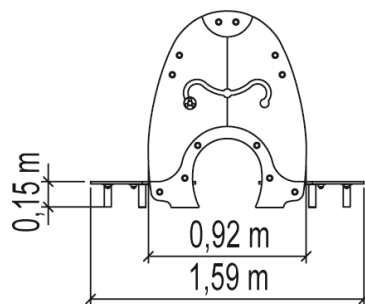
5



0,6m



1 = 1,58m 2 = 0,72m 3 = 1,14m



## Play value

getting across meeting / role play



x1



x1

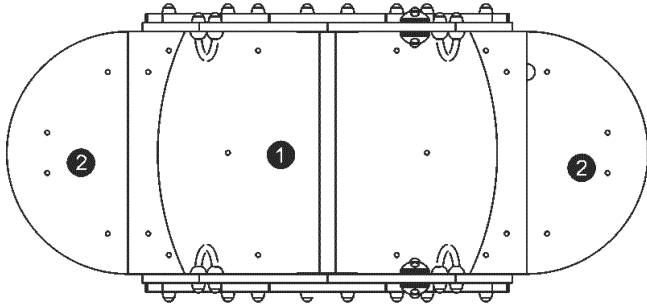
Number of play elements: 2

## Accessibility

- Motor disability
- Sensorial Disabilities
- Learning Disabilites

*Proludic*

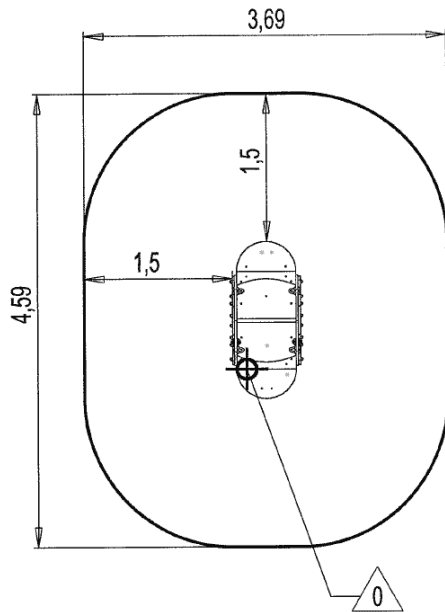
- 1 The gangway
- 2 Star Element



## Installation of equipment

Impact area =

- Impact area
- Free space



Point de Référence  
Setting Out Point  
Punto de referencia  
Bezugspunkt

1	<0,6m
	15m <sup>2</sup>

2	03h15	0.05m <sup>3</sup>	15m <sup>2</sup>	65kg	8kg		2007-01-01