

Springers

J826



2+



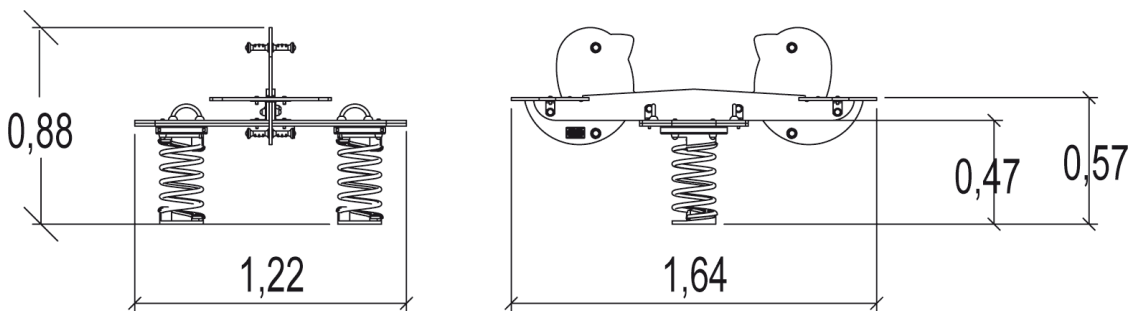
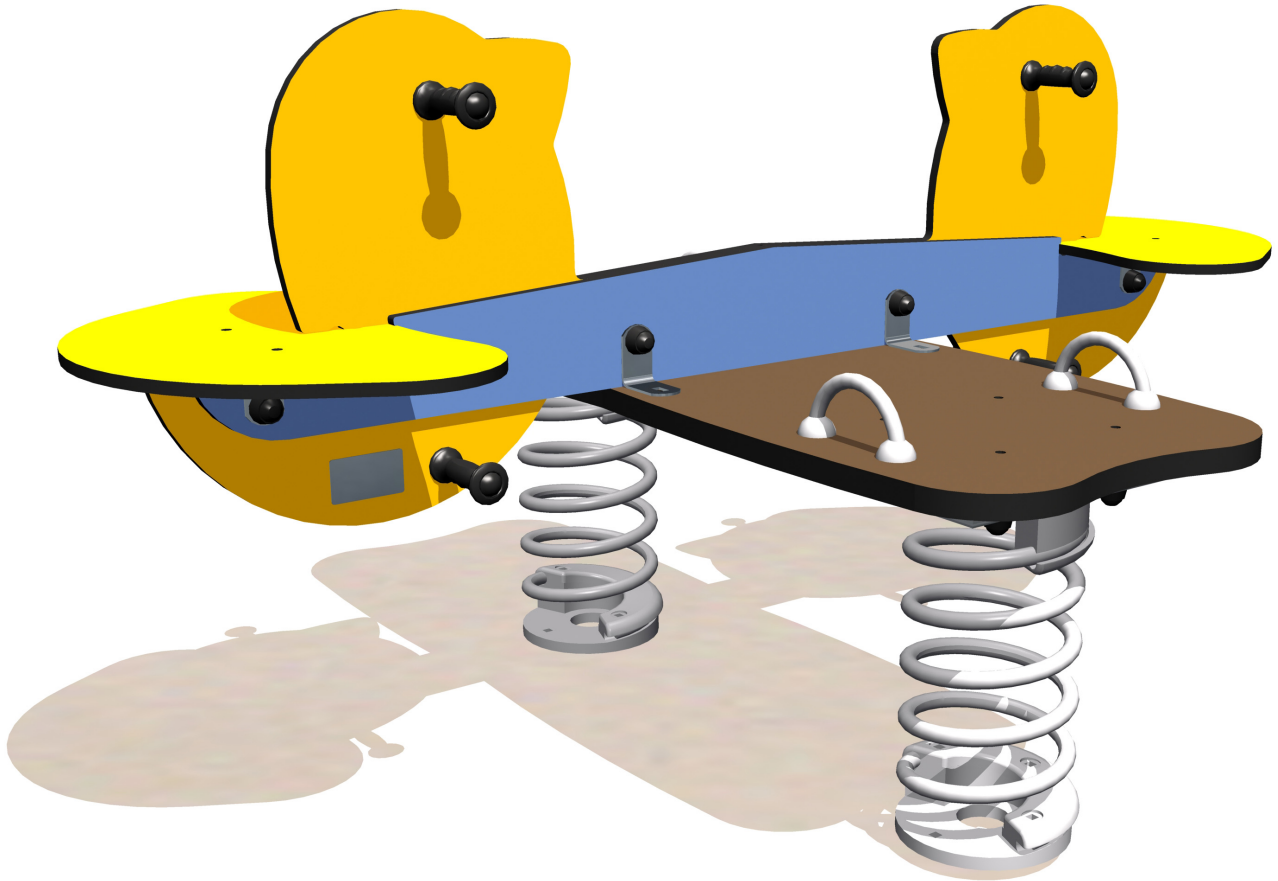
4



0,6m



1 = 1,64m 2 = 1,22m 3 = 0,88m



Play value

swinging



balancing



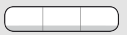
meeting / role play



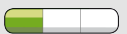
Accessibility



Motor disability



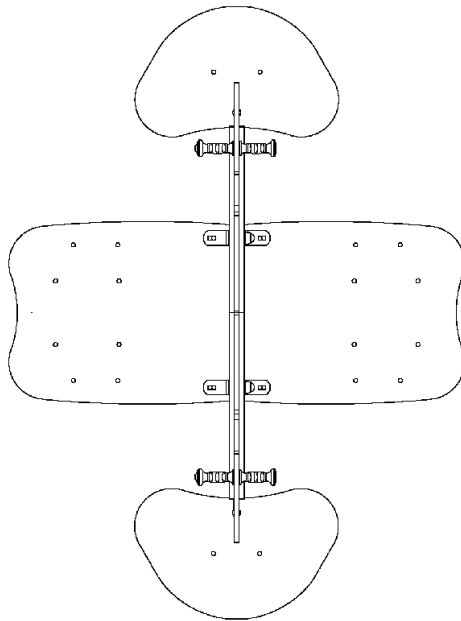
Sensorial Disabilities



Learning Disabilities



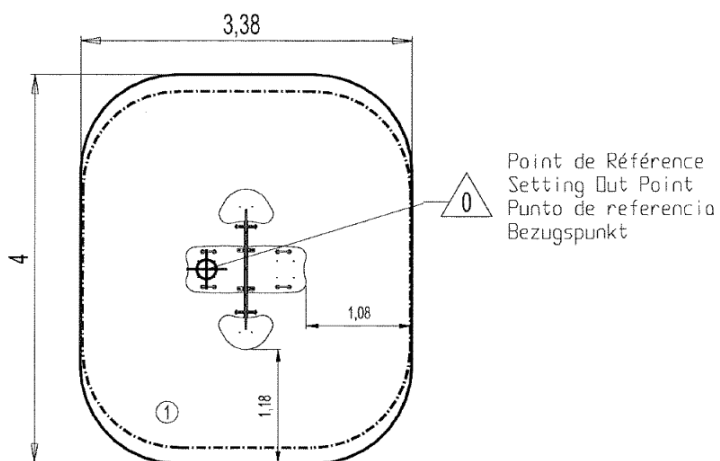
Proludic





Installation of equipment

Impact area =

-  Impact area
-  Free space



		
1	0,6m	13m ²



1



01h45



0m³



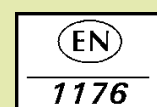
13m²



78kg



11kg



Proludic

2003-10-16