


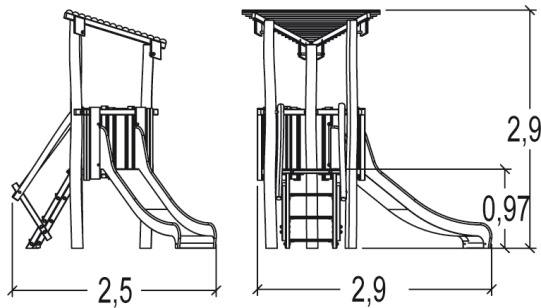
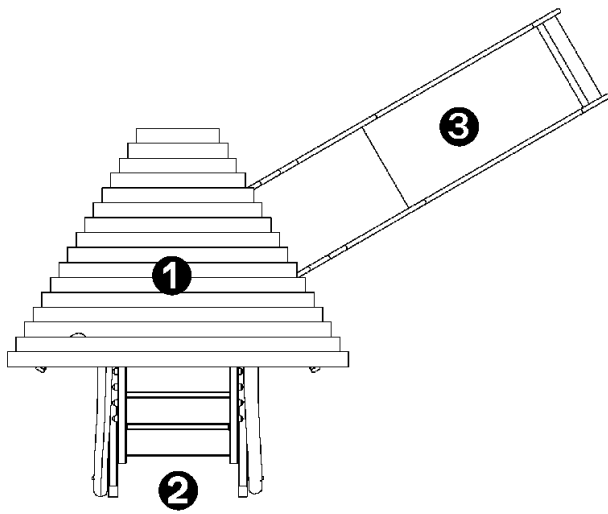
 **2+** |
  **8** |
  **1m** |
  **1 = 2,9m 2 = 2,5m 3 = 2,9m**



Play value

sliding	climbing	meeting / role play
		
x1	x1	x1

Number of play elements: 3

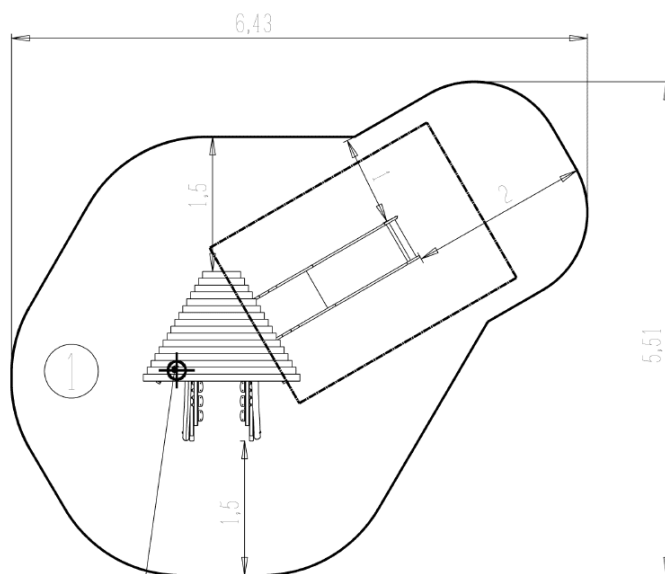


- ① Platform Ht: 0.97m
- ② Stairs
- ③ Slide Ht: 0.97m

Installation of equipment

Impact area =

- Impact area
- Free space



Point de Référence
Setting Out Point
Punto de referencia
Bezugspunkt
Referentiepunt

1	1m
	24m ²



2



08h00



0m³



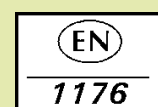
24m²



309kg



43kg



Proludic

2013-06-03