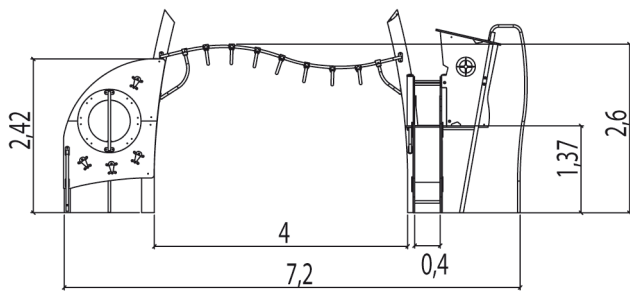
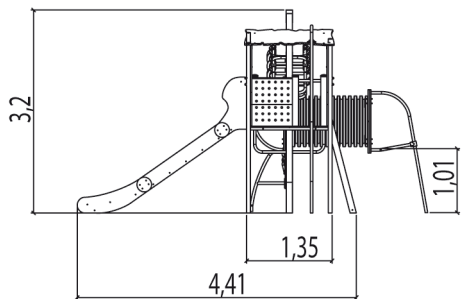


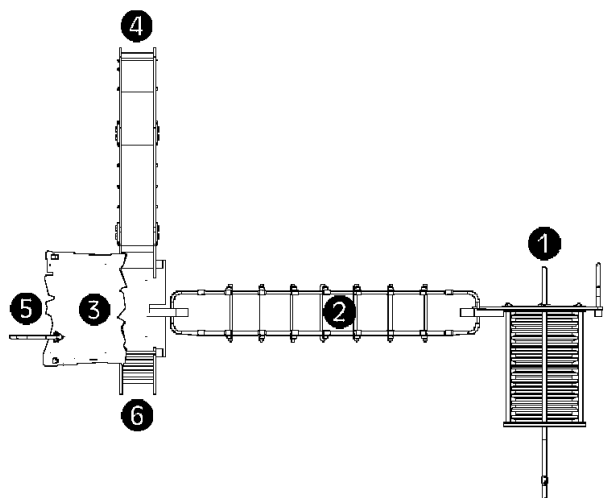
**4+** | **18** | **2,6m** | **1 = 7,3m 2 = 5,6m 3 = 3,2m**



**Play value**

sliding	hanging	crawling	climbing	meeting / role play
x2	x1	x1	x1	x1

Number of play elements: 6

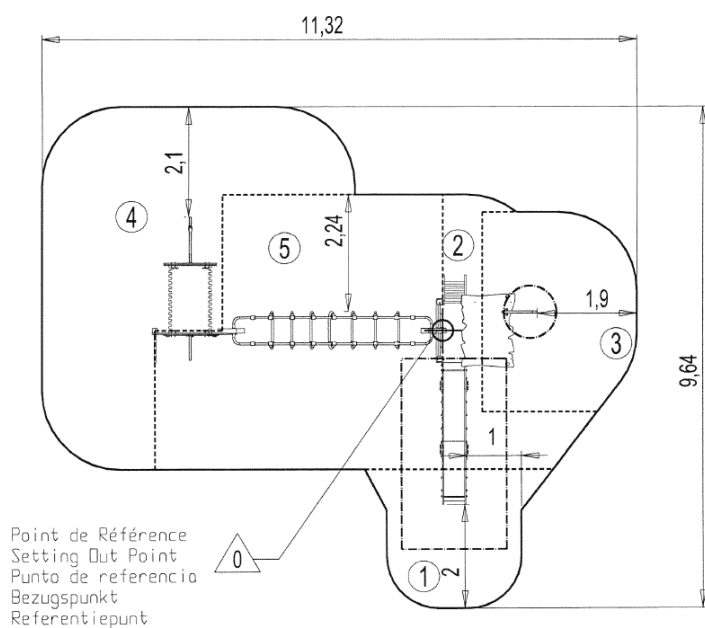


- ① The trunk
- ② Acrobranch
- ③ The fisherman's hut HT: 1.37m
- ④ Slide HT: 1.37m
- ⑤ Fireman's pole HT: 1.37m
- ⑥ Ladder HT: 1.37m

## Installation of equipment

Impact area =

- Impact area
- Free space



1	1m	7m <sup>2</sup>
2	1,37m	6m <sup>2</sup>
3	2m	10,5m <sup>2</sup>
4	2,4m	23,5m <sup>2</sup>
5	2,6m	26m <sup>2</sup>



2



17h00



0.4m<sup>3</sup>



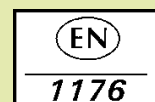
73m<sup>2</sup>



486kg



48kg



*Proludic*

2014-06-30