



6+



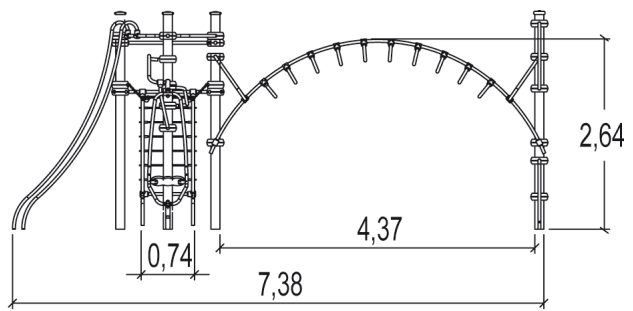
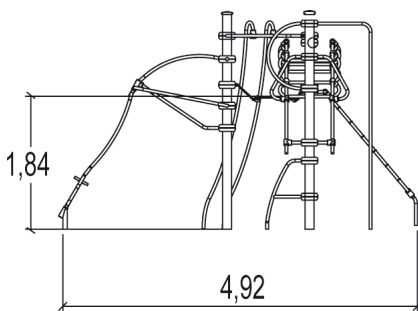
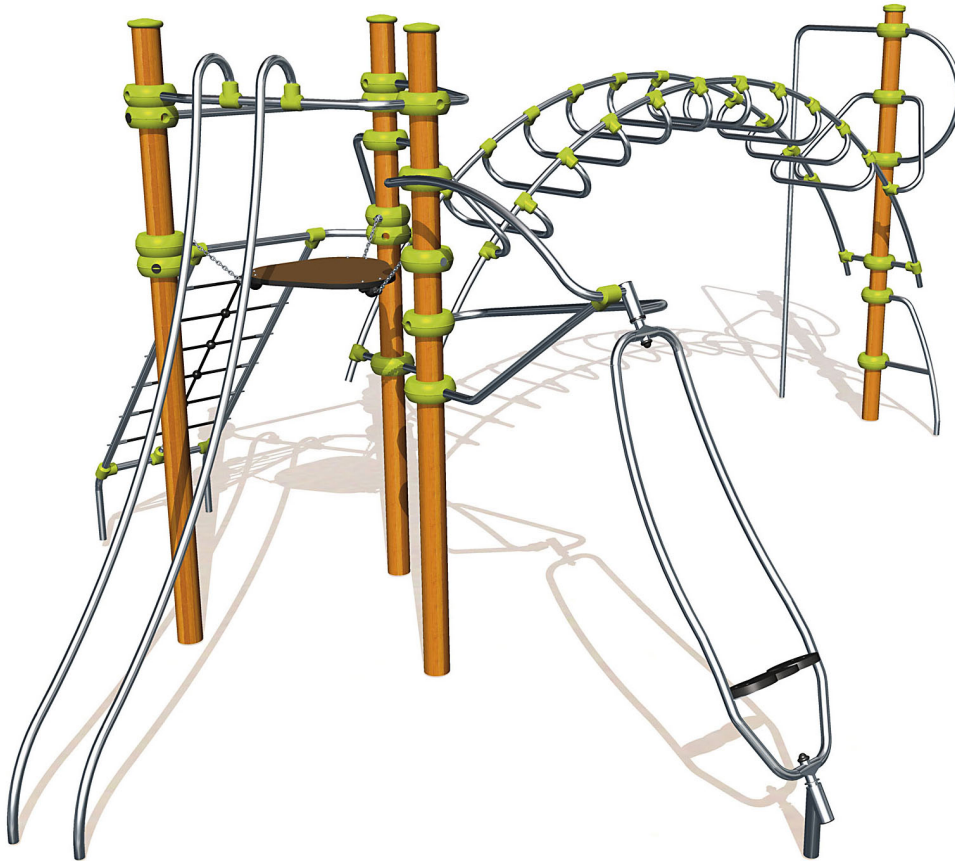
15



2,4m



1 = 7,92m 2 = 4,98m 3 = 3m



Play value

sliding



x1

hanging



x1

rotating



x1

climbing



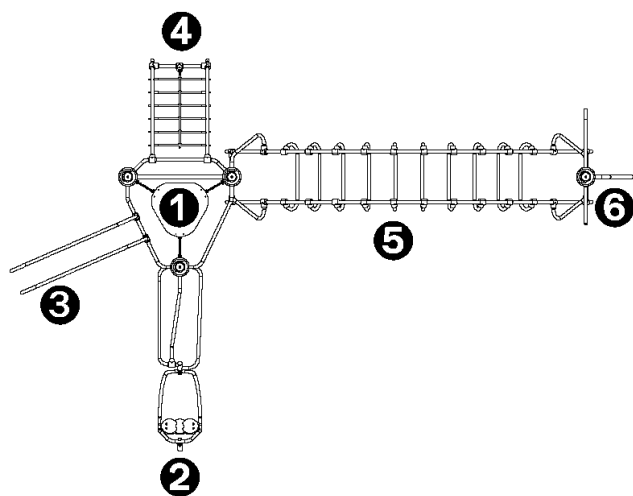
x2

meeting / role play



x1

Number of play elements: 6

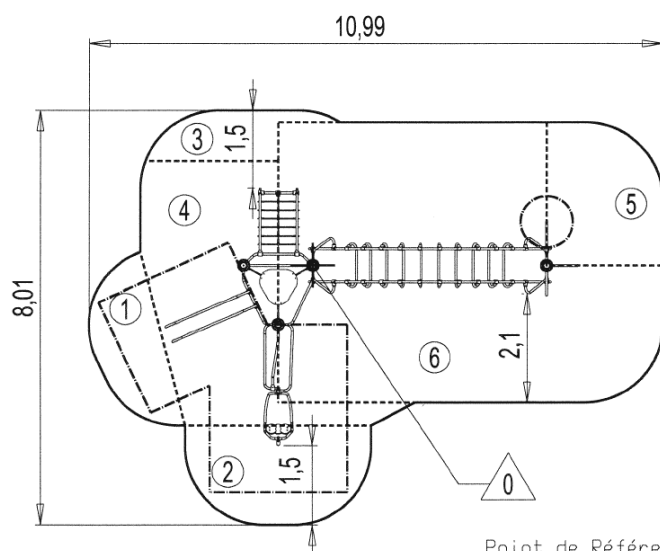


- 1 Delta tower
- 2 Gyro
- 3 Speed slide
- 4 Delta Incline net
- 5 Great arch
- 6 Parrot mast

Installation of equipment

Impact area =

- Impact area
- Free space



Point de Référence
Setting Out Point
Punto de referencia
Bezugspunkt
Referentiepunt

1	0,60m	4m ²
2	0,70m	6m ²
3	1,00m	2,5m ²
4	1,95m	13m ²
5	2m	6m ²
6	2,4m	33m ²



2



14h00



0.4m³



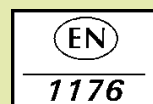
64.5m²



333kg



54kg



Proludic

2012-10-09