



5+



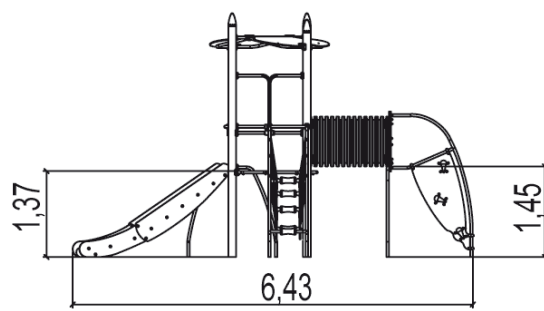
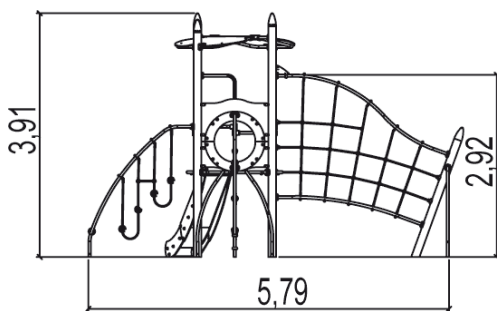
15



2,9m



1 = 6,4m 2 = 6m 3 = 4m



### Play value

sliding



x1

hanging



x1

crawling



x1

climbing



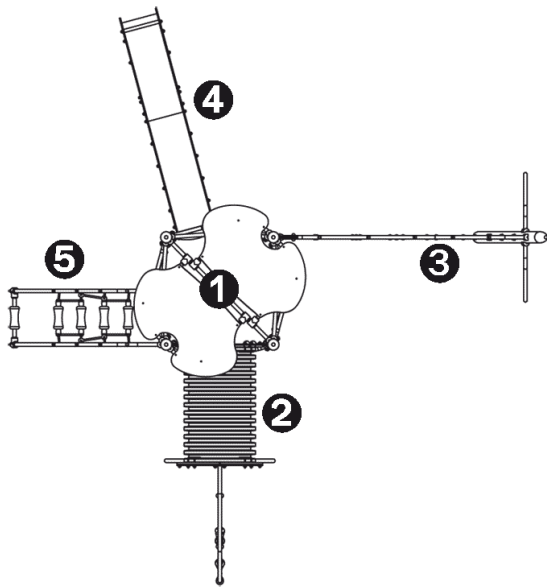
x1

meeting / role play



x1

Number of play elements: 5

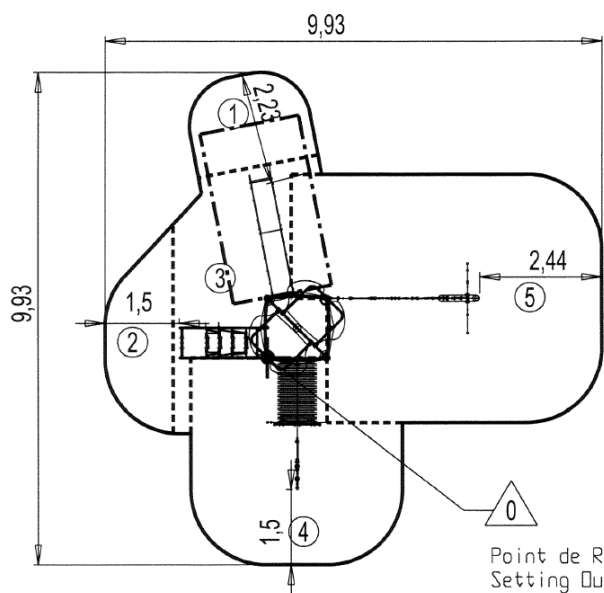


- ❶ Tube platform - 4 posts HT: 1.37m
- ❷ Corkscrew Tunnel HT: 1.37 / 1.77m
- ❸ Arched net
- ❹ Stainless steel slide HT: 1.37m
- ❺ Swinging steps HT: 1.37m

## Installation of equipment

Impact area =

- Impact area
- Free space



Point de Référence  
Setting Out Point  
Punto de referencia  
Bezugspunkt  
Referentiepunt

1	1m	7m <sup>2</sup>
2	1,2m	4,5m <sup>2</sup>
3	1,37m	7,5m <sup>2</sup>
4	1,5m	15m <sup>2</sup>
5	2,9m	28,5m <sup>2</sup>



2



11h30



0.5m<sup>3</sup>



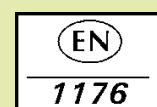
62.5m<sup>2</sup>



493kg



48kg



*Proludic*

2013-01-04