



5+



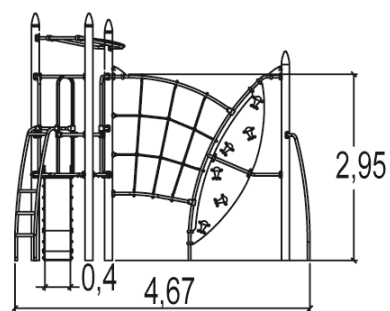
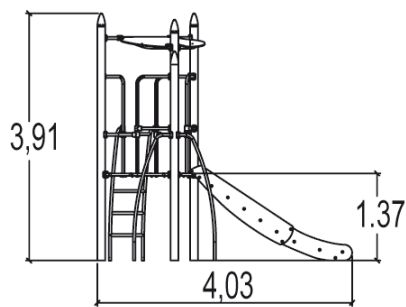
12



2,9m



1 = 4,67m 2 = 4,09m 3 = 4m



Play value

sliding



x1

climbing



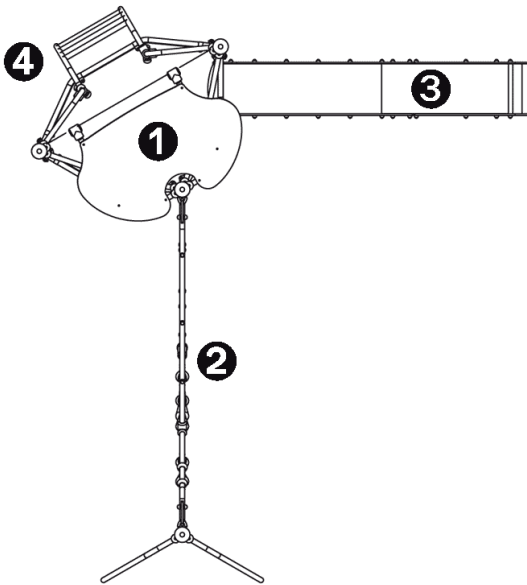
x2

meeting / role
play



x1

Number of play elements: 4

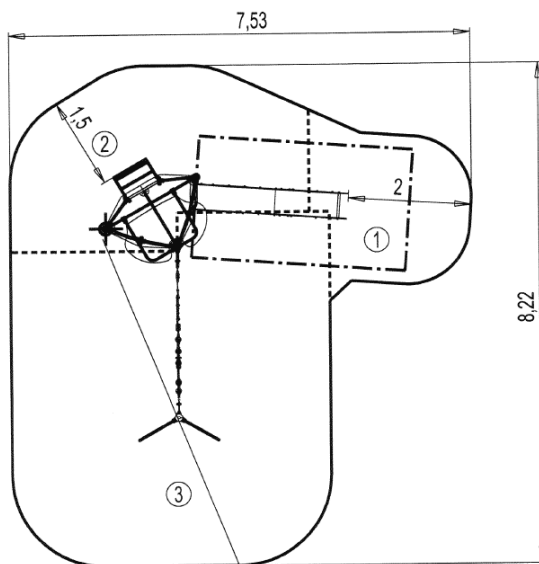


- ① Tube platform - 3 posts HT: 1.37m
- ② Wall Net
- ③ Stainless steel slide HT: 1.37m
- ④ Ladder HT: 1.37m

Installation of equipment

Impact area =

- Impact area
- Free space



△ 0 Point de Référence
Setting Out Point
Punto de referencia
Bezugspunkt

1	1m	6m ²
2	1,37m	12m ²
3	2,9m	28m ²



2



08h30



0.4m³



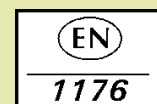
46m²



357kg



34kg



Proludic

2013-01-04