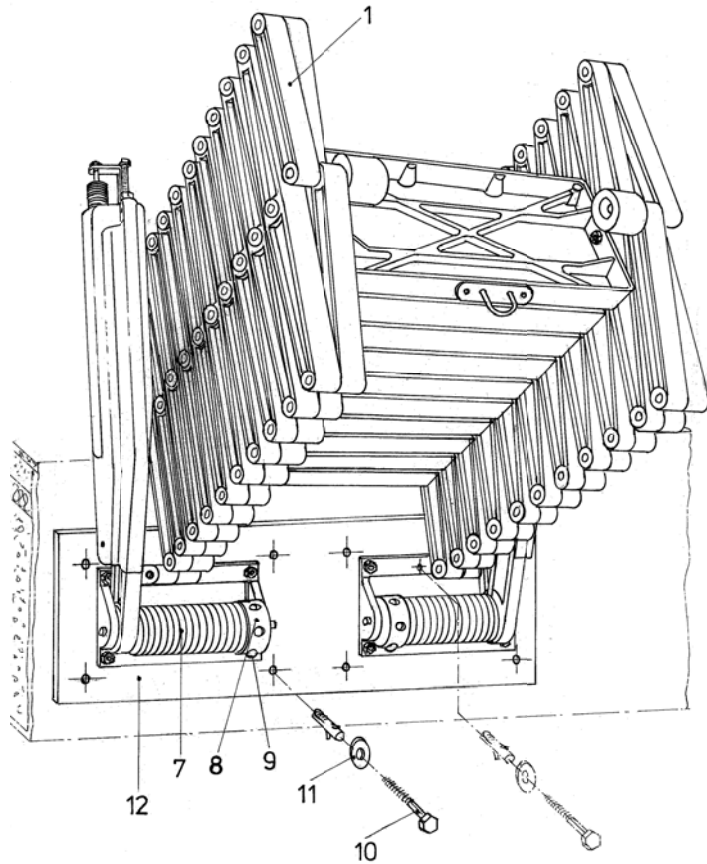
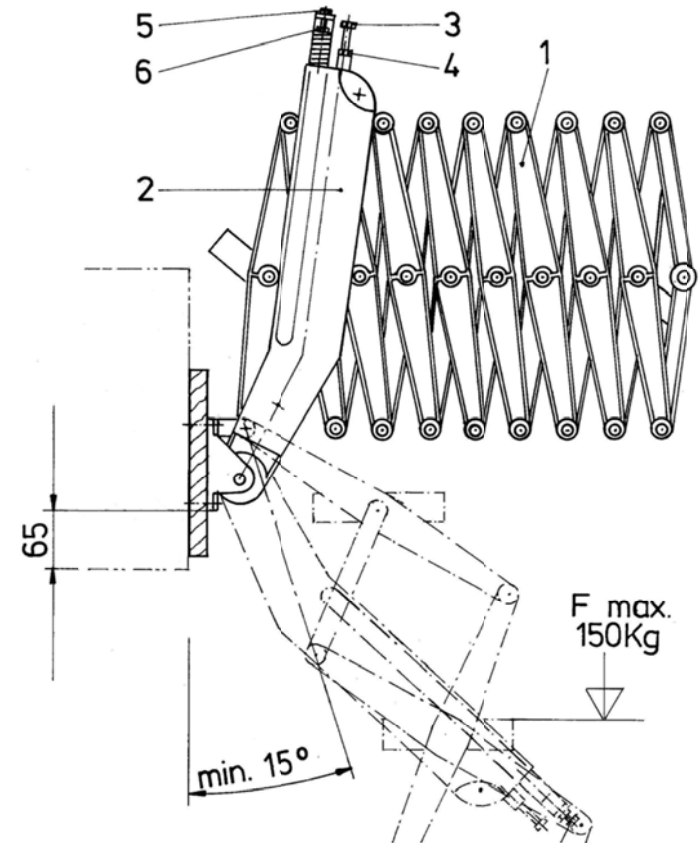


ELITE STAIRWAY: COMPONENT IDENTIFICATION



1. Stairway Scissor Packet
2. Operating Arm Assembly
3. Touchdown adjustment bolt
4. Lock nut
5. Secondary spring tension adjustment screw (set at the factory)
6. Lock nut
7. Main counterbalance springs
8. Spring roller
9. Domed head locating stud
10. Fixing screws (not supplied)
11. Washer
12. Mounting backboard



The Supreme
The Mini
Elite
Classic type 500
Classic Twinsafe
Piccolo
Escafix

2 Dawson Drive,
Trimley St. Mary
Felixstowe
Suffolk
IP11 0YW
Tel: 0845 9000 195
www.premierloftladders.co.uk

