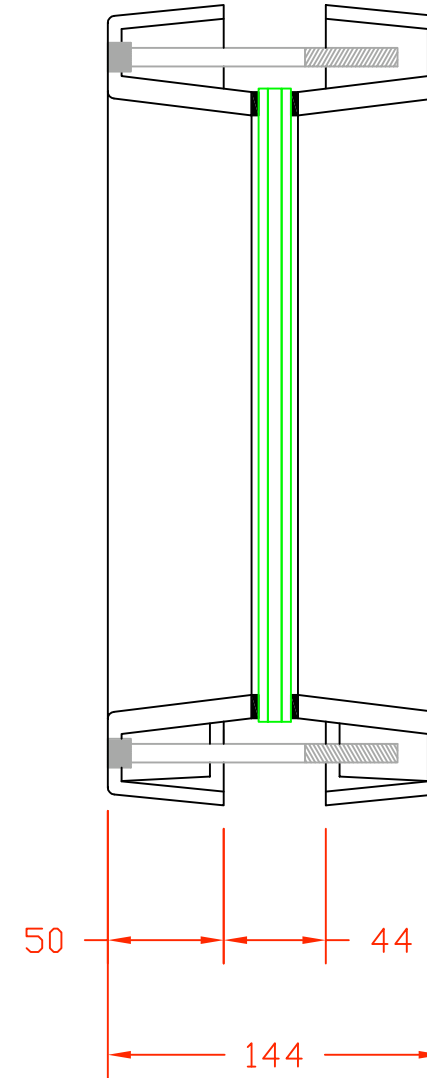
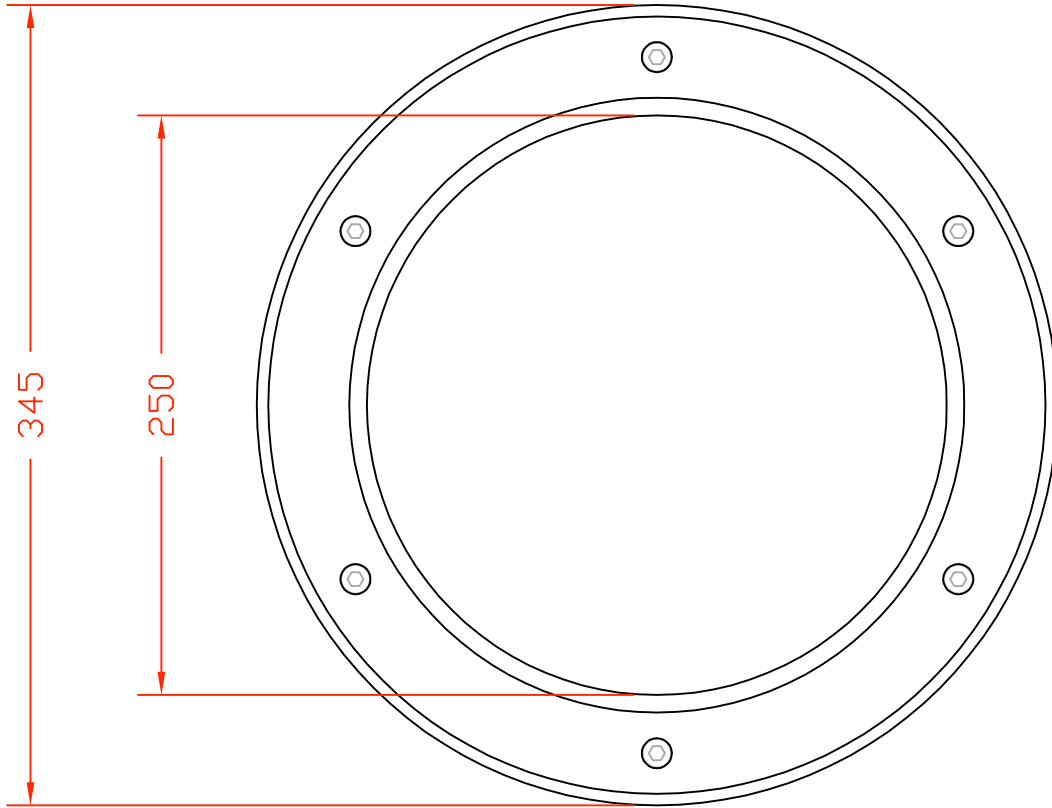


Solid Round



philip watts design

GENERAL NOTES:
 THE CONTRACTOR SHALL CHECK AND VERIFY ALL DIMENSIONS SHEETS AND REPORT ANY DISCREPANCIES IMMEDIATELY TO PHILIP WATTS DESIGN BEFORE COMMENCEMENT WITH THE WORK.
 ALL DRAWINGS ARE THE PROPERTY OF PHILIP WATTS DESIGN AND SHALL NOT BE REPRODUCED WITHOUT THE CONSENT OF THE DESIGNERS.
 DRAWINGS SHALL NOT BE SCALED.
 THE DRAWINGS TO BE READ IN CONJUNCTION WITH THE RELEVANT SPECIFICATION OF BUILDING WORKS.
 ALL DIMENSIONS ARE IN mm UNLESS OTHERWISE NOTED.
 THE DRAWING MAY INCORPORATE INFORMATION FROM OTHER PROFESSIONALS. PHILIP WATTS DESIGN CANNOT ACCEPT RESPONSIBILITY FOR THE INTEGRITY AND ACCURACY OF SUCH INFORMATION.

IF IN DOUBT ASK!

Original drawn by (name)	Date	App by

drawing status:
APPROVED BY:

Name:	Date:



philip watts design
 Unit 11: Byron Industrial Estate,
 Brookfield Road, Arnold
 Nottingham, NG5 7ER
 t: 0115 926 9756
 f: 0115 920 5395
 sales@philipwattsdesign.com
 www.philipwattsdesign.com

drawing title:

contract name: _____ job number: _____

drawing no & revision:

scale:

drawn by: _____ date: _____ checked: _____