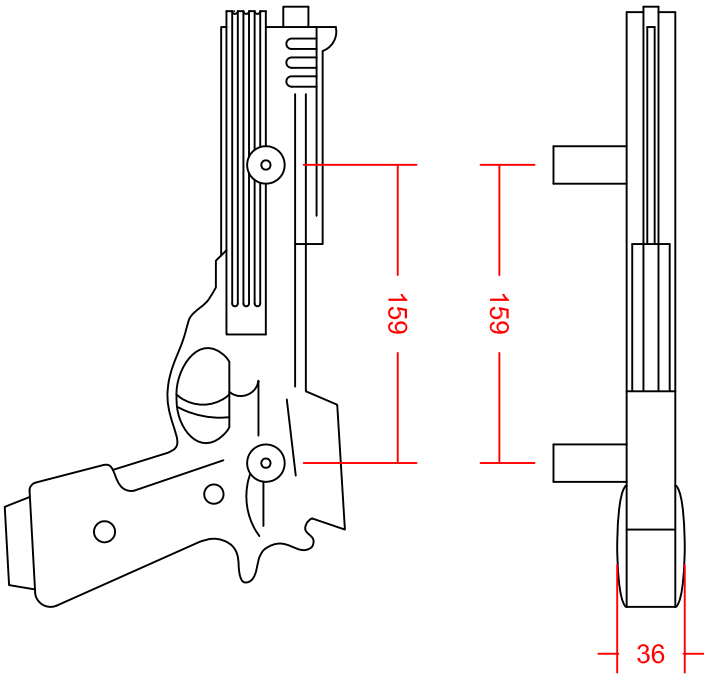
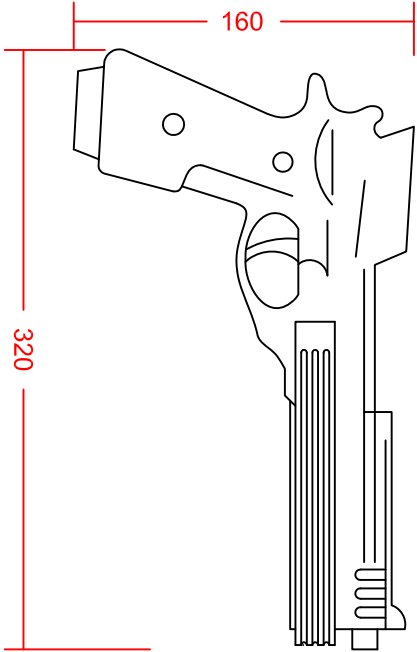
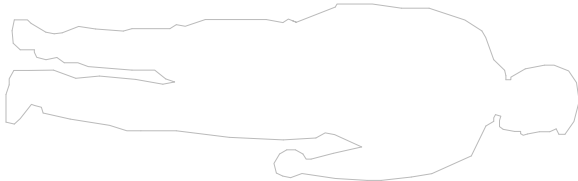
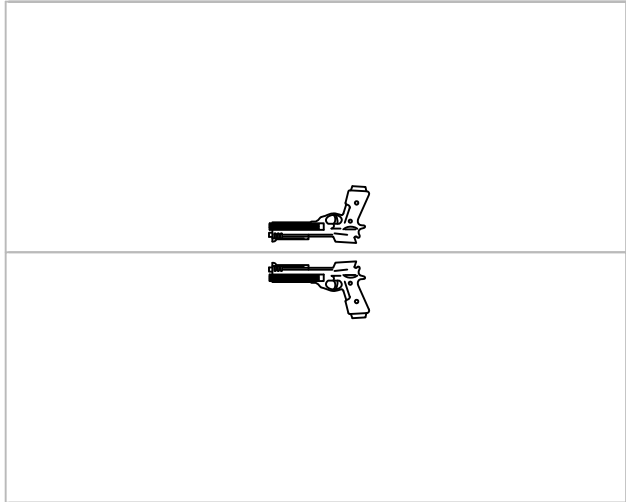


Small Gun handle



philip watts design

GENERAL NOTES:
 THE CONTRACTOR SHALL CHECK AND VERIFY ALL DIMENSIONS ON SITE AND
 CONSULT WITH THE ARCHITECT PRIOR TO COMMENCING WORK.
 ALL DIMENSIONS ARE THE PROPERTY OF PHILIP WATTS DESIGN AND SHALL NOT
 BE REPRODUCED WITHOUT THE CONSENT OF THE CONTRACTOR.
 DIMENSIONS SHALL BE IN MILLIMETERS.
 ALL DIMENSIONS ARE TO FACE UNLESS OTHERWISE STATED.
 THE CONTRACTOR SHALL BE RESPONSIBLE FOR OBTAINING ALL NECESSARY
 APPROVALS FROM THE LOCAL AUTHORITIES PRIOR TO COMMENCING WORK.
 IF IN DOUBT ASK!

DATE	BY	REVISION

drawing scale:
APPROVED BY:

Name	Date

philip watts design
 Unit 11 Byron Industrial Estate,
 Northgum, VIC, 758
 T: 0115 926 8726
 F: 0115 926 8345
 sales@philipwattsdesign.com
 www.philipwattsdesign.com

drawing title: _____
 contract name: _____ job number: _____
 drawing no. & revision: _____
 scale: _____
 drawn by: _____ date: _____
 checked: _____