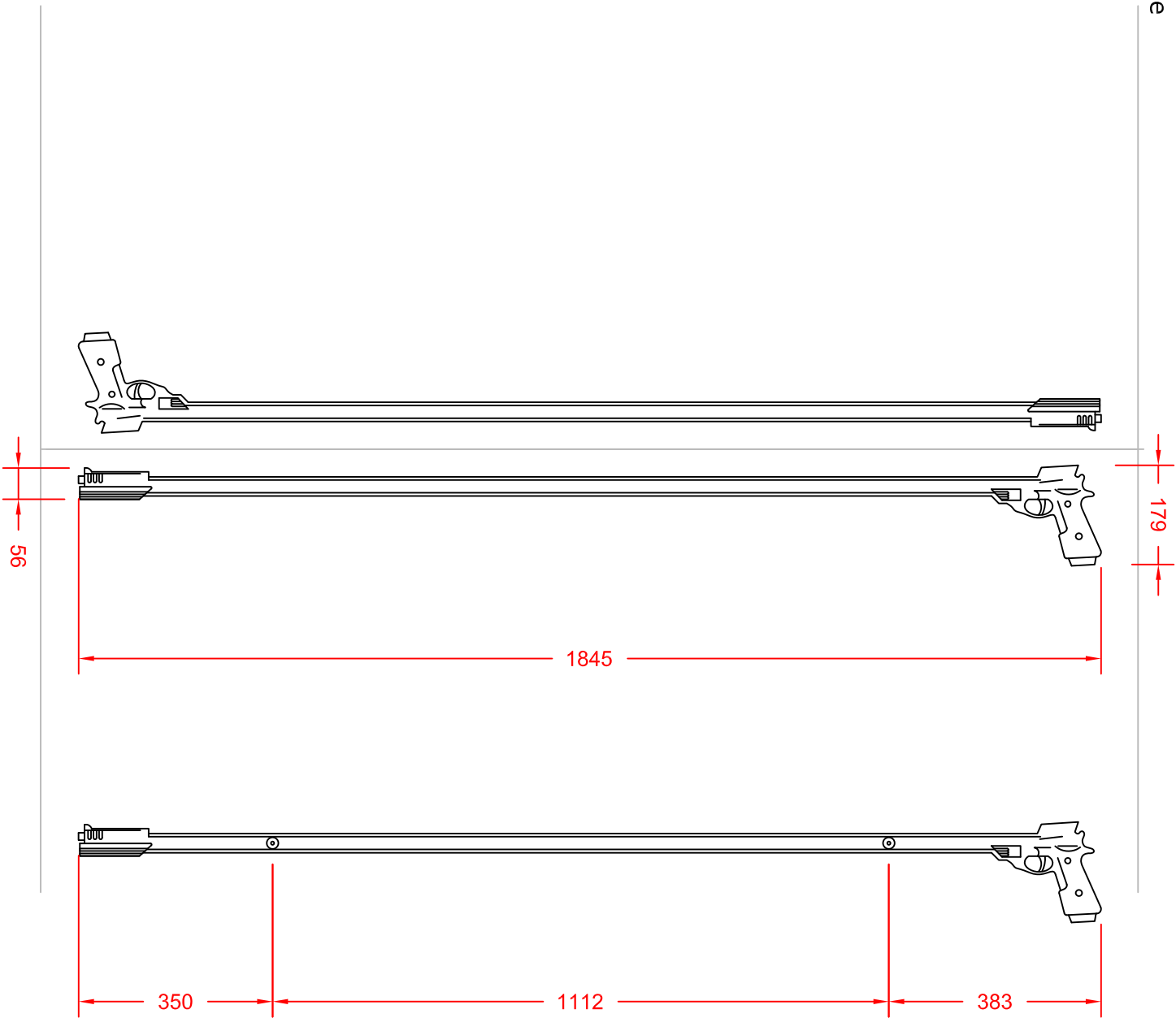


# Gun handle



## philip watts design

**GENERAL NOTES:**  
 THE CONTRACTOR SHALL CHECK AND VERIFY ALL DIMENSIONS ON THE DRAWING AND CONSULT WITH THE ARCHITECT PRIOR TO COMMENCING WORK.  
 ALL DIMENSIONS ARE THE PROPERTY OF PHILIP WATTS DESIGN AND SHALL NOT BE REPRODUCED WITHOUT THE CONSENT OF THE CONTRACTOR.  
 DIMENSIONS SHALL BE IN MILLIMETERS.  
 ALL DIMENSIONS ARE TO FACE UNLESS OTHERWISE STATED.  
 THE DRAWING IS NOT TO BE USED FOR CONSTRUCTION OF THE WORK UNLESS IT IS ACCOMPANIED BY THE CONTRACTOR'S INTERPRETATION AND CONFIRMATION OF THE ARCHITECT.  
 IF IN DOUBT ASK!

DATE	BY	REVISION

**drawing status:**  
 APPROVED BY:

Name: \_\_\_\_\_ Date: \_\_\_\_\_

\_\_\_\_\_

\_\_\_\_\_

\_\_\_\_\_

**philip watts design**  
 Unit 11 Byron Industrial Estate,  
 Northampton, NCT 7ER  
 T: 0115 926 8795  
 F: 0115 926 5365  
 sales@philipwattsdesign.com  
 www.philipwattsdesign.com

**drawing title:** \_\_\_\_\_

**contract name:** \_\_\_\_\_ **job number:** \_\_\_\_\_

**drawing no. & revision:** \_\_\_\_\_

**scale:** \_\_\_\_\_

**drawn by:** \_\_\_\_\_ **date:** \_\_\_\_\_ **checked:** \_\_\_\_\_