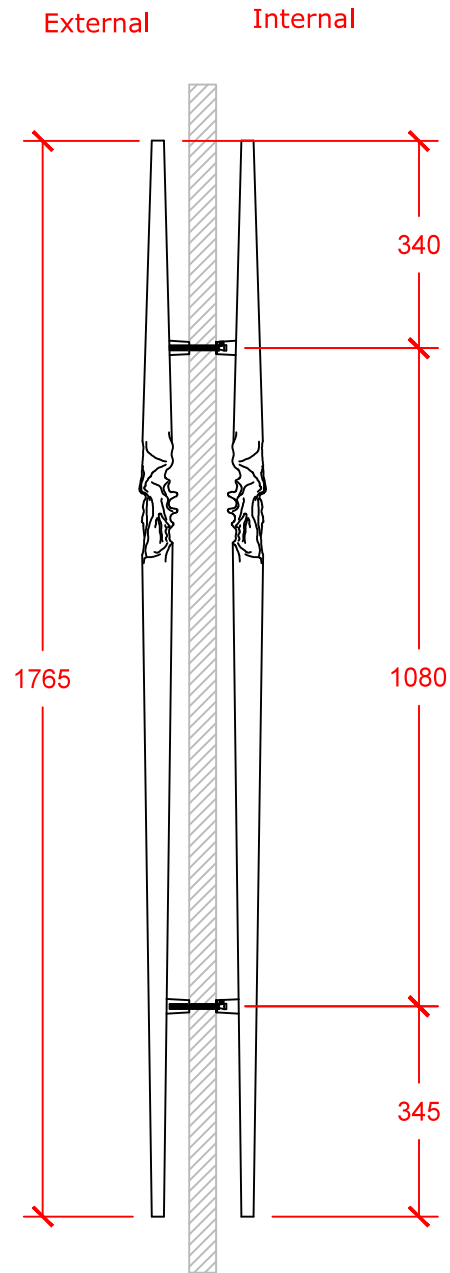
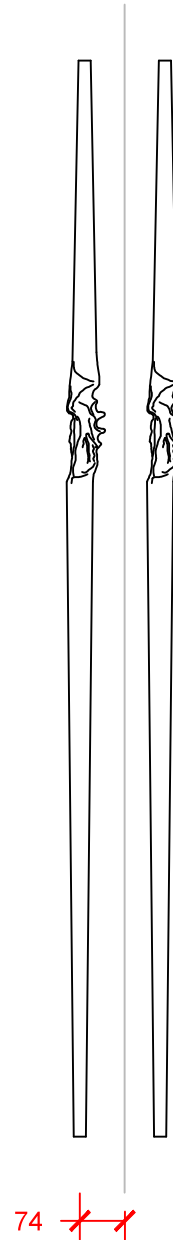
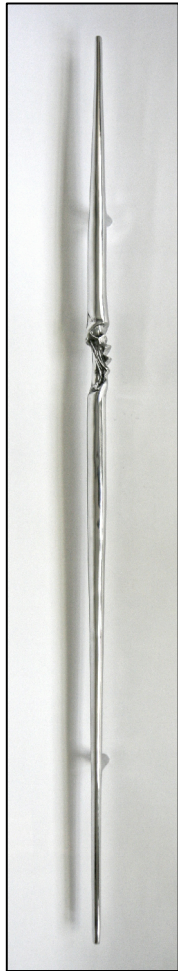


Javelin



Back to back fixed handles use M8 fixings, which require a 12mm diameter hole glass doors.
 All handles are handmade, therefore we strongly recommend that doors are marked out and drilled to the physical handle.

Dimensions are based on an aluminium casting, brass and bronze will vary.

Bronze handles weigh 10.5 kilos each

philip watts design

GENERAL NOTES:
 THE CONTRACTOR SHALL CHECK AND VERIFY ALL DIMENSIONS ON SITE AND REPORT ANY DISCREPANCIES IN WRITING TO PHILIP WATTS DESIGN BEFORE COMMENCING WITH THE WORK.
 ALL DRAWINGS ARE THE PROPERTY OF PHILIP WATTS DESIGN AND SHALL NOT BE REPRODUCED WITHOUT THE CONSENT OF THE DESIGNERS.
 DRAWINGS SHALL NOT BE SCALED.
 THIS DRAWING IS TO BE READ IN CONJUNCTION WITH THE RELEVANT SPECIFICATION OF BUILDING WORKS.
 ALL DIMENSIONS ARE IN mm UNLESS OTHERWISE NOTED.
 THIS DRAWING MAY INCORPORATE INFORMATION FROM OTHER PROFESSIONALS. PHILIP WATTS DESIGN CANNOT ACCEPT RESPONSIBILITY FOR THE INTEGRITY AND ACCURACY OF SUCH INFORMATION.
 IF IN DOUBT ASK!

original drawn by (name)	date	app by
Mike Gilbert	13.01.16	

drawing status:
APPROVED BY:

Name: Date:

philip watts design
 Unit 11: Byron Industrial Estate,
 Brookfields Road, Arnold
 Nottingham, NG5 7ER
 t: 0115 926 9756
 f: 0115 920 5395
 sales@philipwattsdesign.com
 www.philipwattsdesign.com

drawing title:
Javelin

contract name **PWD** job number **--**

drawing no & revision
01

scale **DNS** date **13.01.16** checked **PW**
 drawn by **MG**