

GENERAL NOTES:
 THE CONTRACTOR SHALL CHECK ALL CLEARANCES AND VERIFY ALL DIMENSIONS BEFORE ANY COMMENCEMENT OF WORK.
 ALL DIMENSIONS ARE THE PRECEDENCE OF ALL DIMENSIONS SHOWN ON THE DRAWING.
 BE RESPONSIBLE FOR THE CORRECT FIT OF THE INSTALLATION.
 DIMENSIONS SHALL BE TO THE CENTER UNLESS OTHERWISE STATED.
 THE CONTRACTOR SHALL BE RESPONSIBLE FOR THE PROTECTION OF ALL EXISTING SERVICES AND UTILITIES.
 ALL DIMENSIONS ARE TO THE CENTER UNLESS OTHERWISE STATED.
 THE CONTRACTOR SHALL BE RESPONSIBLE FOR THE PROTECTION OF ALL EXISTING SERVICES AND UTILITIES.
 IF IN DOUBT ASK!

Revised	By	Date	Notes

drawing status:
APPROVED BY:

Name	Date



philip watts design
 Unit 11, 15 York Industrial Estate
 Nottingham, Notts, NG5 7ER
 t: 0115 926 9729
 f: 0115 926 9389
 sales@philipwattsdesign.com
 www.philipwattsdesign.com

drawing title: _____

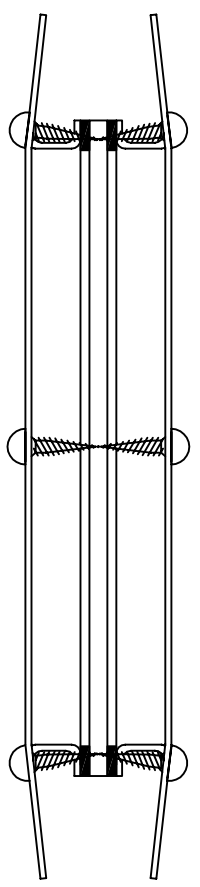
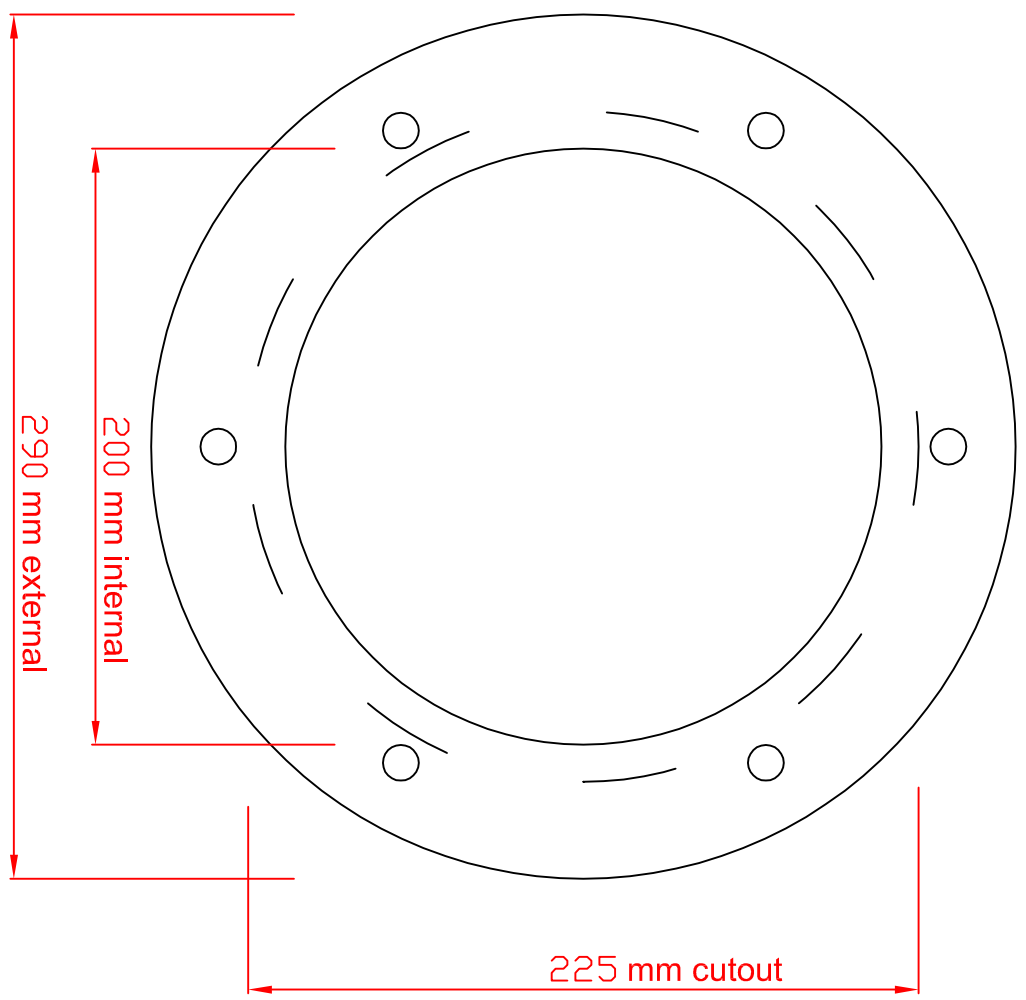
contract name: _____ job number: _____

drawing no & revision: _____

scale: _____

drawn by: _____ date: _____

checked: _____



Please note Dinky is only suitable for 35mm doors