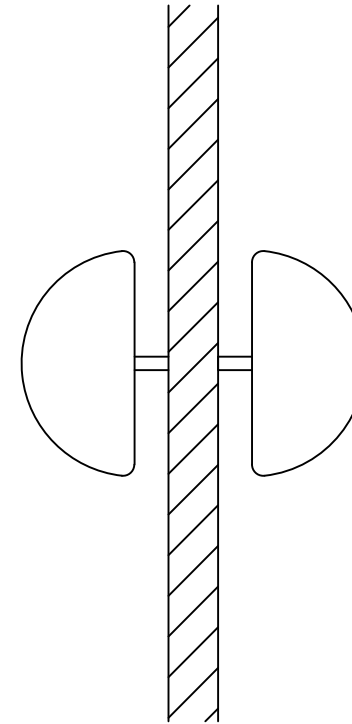
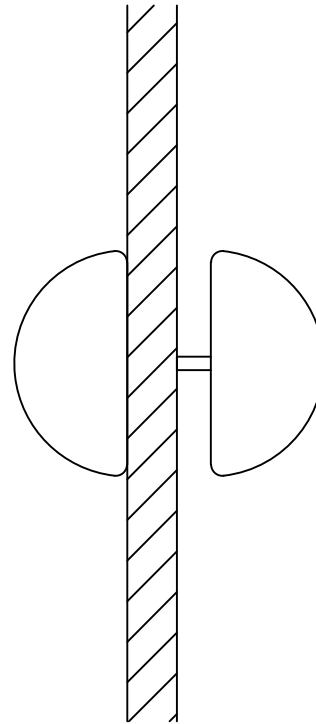
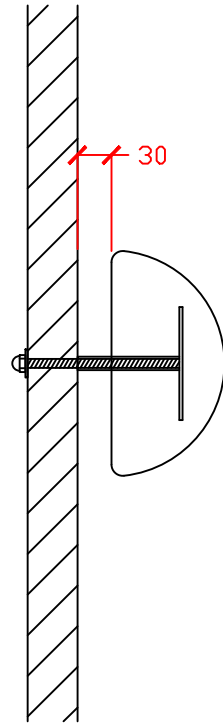
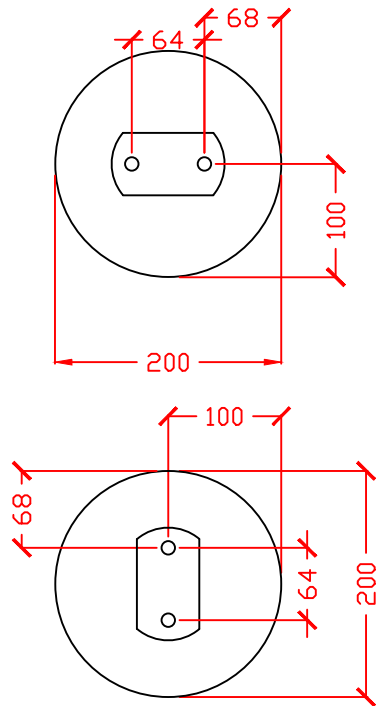
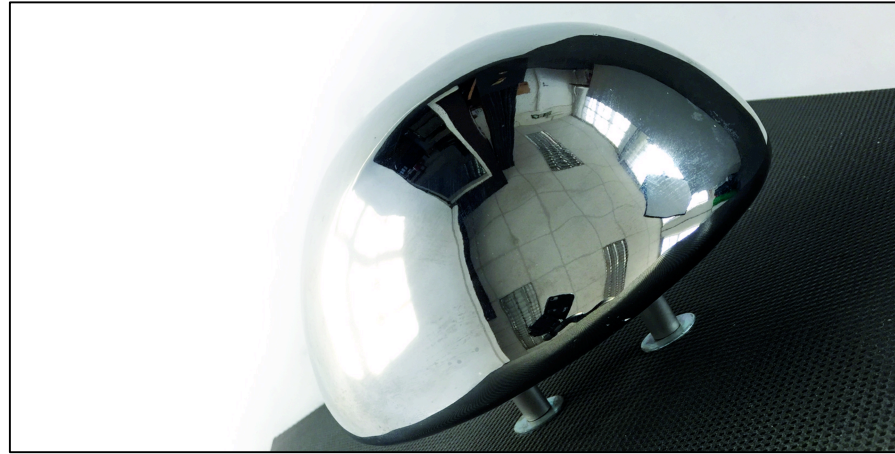


Button



Button brackets can be drilled horizontally or vertically. We would advise vertical drilling on glass doors.

Pull handle only

Pull handle and push handle

Pull handle and pull handle

philip watts design

GENERAL NOTES:
 THE CONTRACTOR SHALL CHECK AND VERIFY ALL DIMENSIONS ON SITE AND REPORT ANY DISCREPANCIES IN WRITING TO PHILIP WATTS DESIGN BEFORE COMMENCING WITH THE WORK.
 ALL DRAWINGS ARE THE PROPERTY OF PHILIP WATTS DESIGN AND SHALL NOT BE REPRODUCED WITHOUT THE CONSENT OF THE DESIGNER.
 DRAWINGS SHALL NOT BE SCALED.
 THIS DRAWING IS TO BE READ IN CONJUNCTION WITH THE RELEVANT SPECIFICATION OF BUILDING WORKS.
 ALL DIMENSIONS ARE IN mm UNLESS OTHERWISE NOTED.
 THIS DRAWING MAY INCORPORATE INFORMATION FROM OTHER PROFESSIONALS. PHILIP WATTS DESIGN CANNOT ACCEPT RESPONSIBILITY FOR THE INTEGRITY AND ACCURACY OF SUCH INFORMATION.
 IF IN DOUBT ASK !

original drawn by (name)	date	app by

drawing status:
APPROVED BY:

Name: Date:

philip watts design
 Unit 11, Byron Industrial Estate,
 Brookfield Road, Arnold
 Nottingham, NG5 7ER
 t: 0115 926 9756
 f: 0115 920 5395
 sales@philipwattsdesign.com
 www.philipwattsdesign.com

drawing title:

contract name _____ **job number** _____

drawing no & revision

scale

drawn by _____ **date** _____ **checked** _____