



# UNI Emergency Luminaire AVUN LED Range.

## Description:

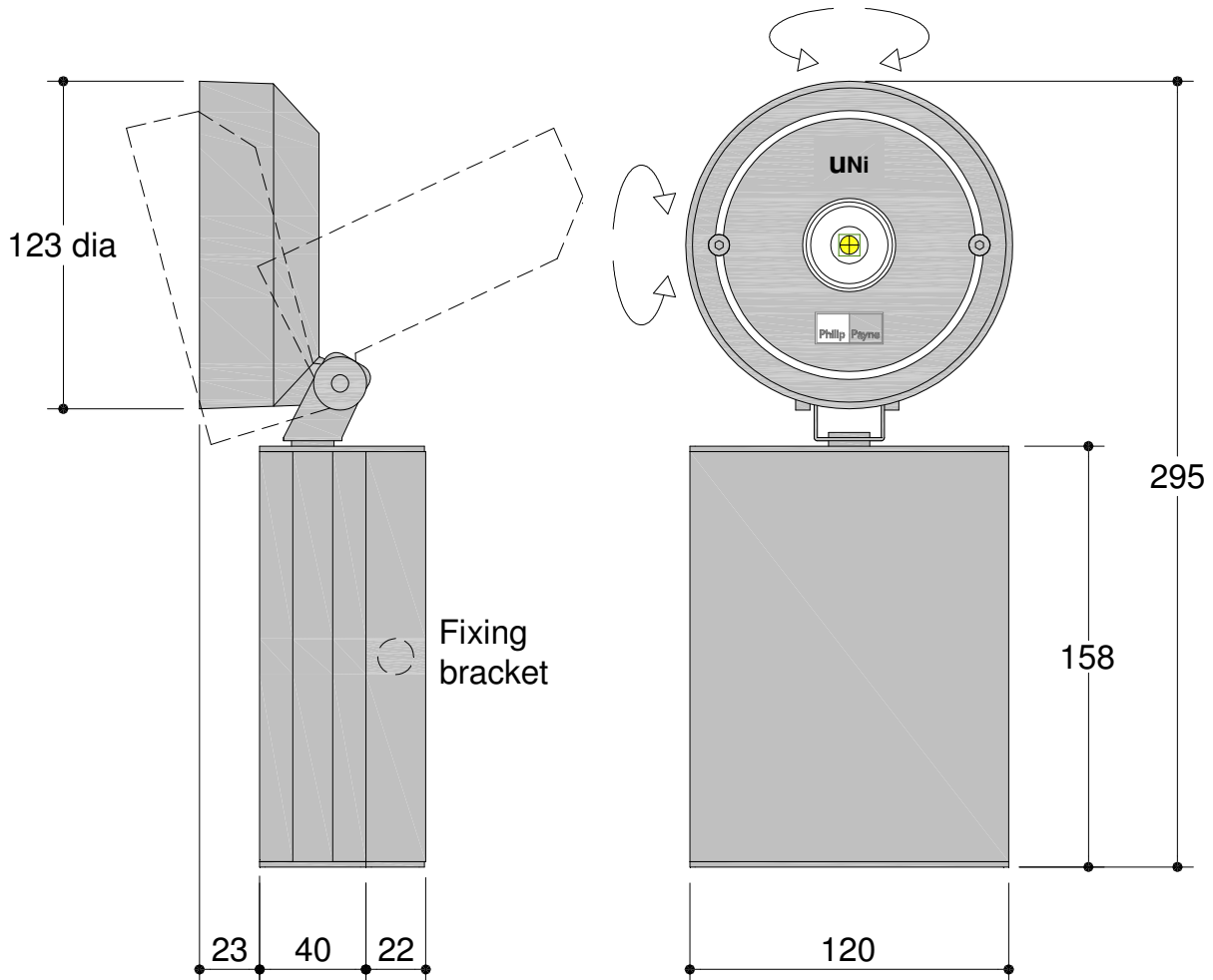
Surface mounted LED emergency luminaire with adjustable lamp head.

## Standards:

- EN60598-1
- EN60598-2-22
- EN55015
- EN50082-1
- EN60555-2
- CE marked

## Specification:

Total weight:	1.5 Kg.
LED lamp:	Philips Luxeon M LED.
LED watts:	2 Watts
Beam angle:	29 degree and 63 degree versions available (see Table A).
Luminous flux:	258 lumens.
Supply voltage/current:	Dependent upon gear (see Table A).
Operation:	3 hours emergency, non-maintained.
Dali versions:	Dedicated DALI interface for customer controlled monitoring & reporting. Also, stand-alone automatic testing if not connected to a DALI system.
Autotest Versions:	Stand-alone automatic testing in accordance with IEC62034.
Operating temperature	Min 0°C / Max 25°C.
IP Rating:	IP40.
Finish:	See Table B for available finishes and suffix codes.



**Table A : Gear / distribution options**

Part Code*	Beam angle	Gear type	Supply voltage	Supply current**
AVUN293DS	29 degrees	DALI emergency with self-contained NiMH battery	220-240V AC 50/60Hz	20mA
AVUN293LA	29 degrees	Mains driver for use with central battery/static inverter	220-240V DC/AC 50/60Hz	35mA
AVUN293LN	29 degrees	Basic emergency with self-contained NiMH battery	220-240V AC 50/60Hz	20mA
AVUN293YS	29 degrees	DALI emergency with self-contained NiMH battery	220-240V AC 50/60Hz	20mA
AVUN633DS	63 degrees	DALI emergency with self-contained NiMH battery	220-240V AC 50/60Hz	20mA
AVUN633LA	63 degrees	Mains driver for use with central battery/static inverter	220-240V DC/AC 50/60Hz	35mA
AVUN633LN	63 degrees	Basic emergency with self-contained NiMH battery	220-240V AC 50/60Hz	20mA
AVUN633YS	63 degrees	DALI emergency with self-contained NiMH battery	220-240V AC 50/60Hz	20mA

\*Please add finish suffix to complete the part number.

\*\*Supply current during normal luminaire operation, after inrush current on start-up.

**Table B : Finish options**

Suffix	Finish
G	Grey RAL9006.
K	Black RAL9005.
V	Old penny bronze.
W	White RAL9010.
Z	Special finish. Customer specification to be specified on order.

## Philip Payne Ltd

A SUBSIDIARY OF F.W. THORPE PLC  
Thornhill Road, Lode Lane, Solihull, B91 2HB, England.

Tel: 0121 705 2384  
Fax: 0121 711 2469

E-mail: [mail@philippayne.co.uk](mailto:mail@philippayne.co.uk)  
Website: <http://www.philippayne.co.uk>

Philip Payne Ltd registered in England No. 1361523



ISO 9001  
FM55077

AVUN\_LED\_RANGE\_3