

UNI+ Emergency Luminaire AVUN03 LED Range.

Description:

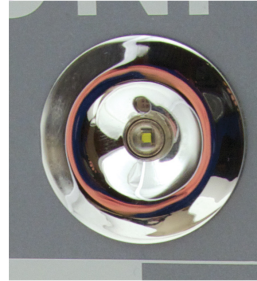
Surface mounted LED emergency luminaire with adjustable lamp head.

Standards:

- EN60598-2-22
- EN55015
- EN50082-1
- EN60555-2
- CE marked

Specification:

Total Weight: 2 Kg.
 Lamp: Power LED with 90° cone distribution.
 Voltage / Current: Dependant upon gear. See table.
 Dali Versions: Dedicated DALI interface for customer controlled monitoring & reporting. Also, stand alone automatic testing in accordance with IEC62034 if not connected to a DALI system.
 Autotest Versions: Stand alone automatic testing in accordance with IEC62034.
 Operating Temp: Min 0°C / Max 25°C.
 IP Rating: IP30.
 Luminous Flux: Dependant upon gear. See table.



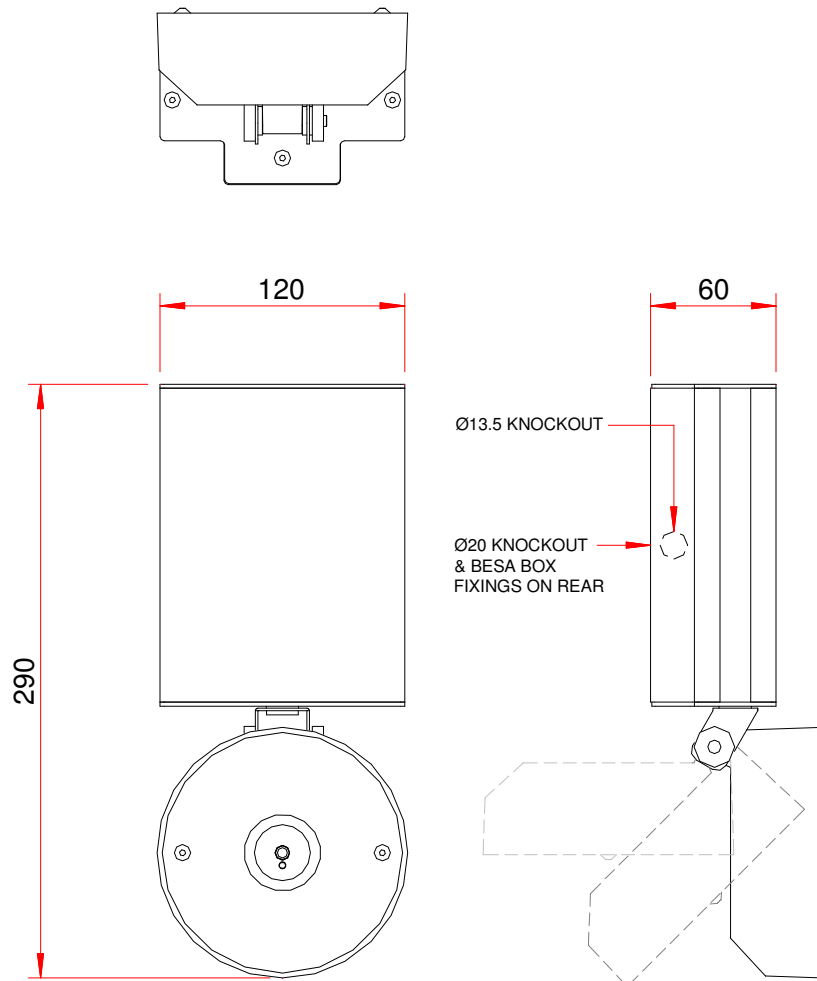
Part Numbers Explained:

AVUN03 - AA - B

Where:-

'AA' designates the gear type.
See table for options & 'AA' codes.

'B' designates the finish.
See table for options & 'B' codes.



Gear options

'AA' Code	Gear / Operation	Luminous Flux	Supply Current*
DL	220-240V AC 50/60 Hz emergency module with DALI interface & self contained 3 hour NiMH battery pack. Maintained or non-maintained operation.	Emergency Mode = 137 lm Maintained Mode = 96 lm	<100mA
LA	93-256V DC/AC 50Hz LED driver for use with central battery / static inverter.	150 lm	<100mA
LR	93-256V DC/AC 50Hz LED driver with 230V AC \pm 10% 50Hz hold off relay for use with central battery / static inverter.	150 lm	<100mA
LM	220-240V AC 50/60Hz emergency module with self contained 3 hour NiMH battery pack. Maintained or non-maintained operation.	Emergency Mode = 137 lm Maintained Mode = 96 lm	<100mA
PL	230V AC \pm 10% 50/60Hz emergency module with 2 x normally closed potential free contacts & self contained 3 hour NiMH battery pack. Maintained or non-maintained operation.	Emergency Mode = 137 lm Maintained Mode = 96 lm	<100mA
YL	220-240V AC 50/60Hz Autotest emergency module with self contained 3 hour NiMH battery pack. Maintained or non-maintained operation.	Emergency Mode = 137 lm Maintained Mode = 96 lm	<100mA

*Supply current during normal luminaire operation, after inrush current on start up.

Finish options

'B' Code	Finish
G	Grey RAL9006.
K	Black RAL9005.
V	Old penny bronze.
W	White RAL9010.
Z	Special finish. Customer specification to be specified on order.

Philip Payne Ltd

A SUBSIDIARY OF F.W. THORPE PLC
Thornhill Road, Lode Lane, Solihull, B91 2HB, England.

Tel: 0121 705 2384

Fax: 0121 711 2469

E-mail: mail@philippayne.co.uk

Website: <http://www.philippayne.co.uk>

Philip Payne Ltd registered in England No. 1361523



ISO 9001
FM55077

