

SL80RDLB TYKE EXTENDER BEZEL

Product: SL80RDLB
Description: Extender Bezel for Tyke LED emergency recessed downlighters.
Standards:

- EN60598-1
- EN60598-2-22
- EN55015
- EN61547
- EN61000-3-2
- CE marked

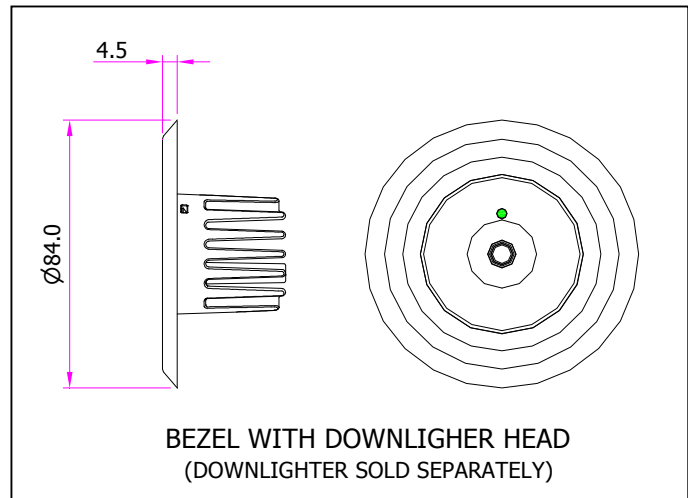
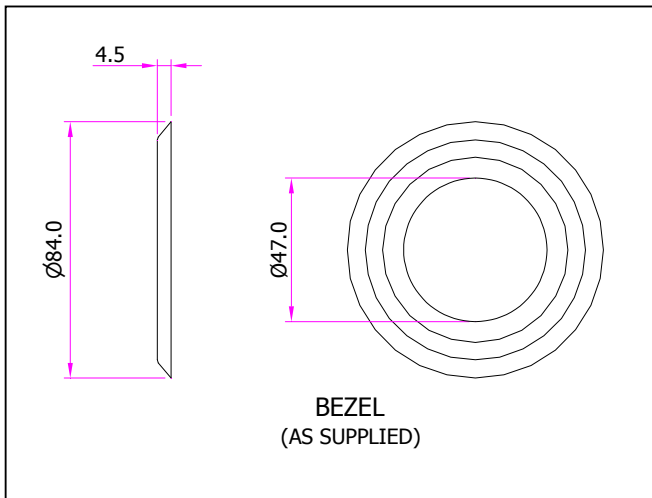


Specification:
 Total Weight: 12 grams.

Application:
 Function: To allow easier installation of downlighter gear through the lamp head ceiling cut-out.
 For use with: TYKE, TYKA and TYKC LED Downlighters.
 Ceiling Cut-Out: Up to 55mm Diameter.

Part Numbers Explained:
 SL80RDLB – X Suffix 'X' designates the bezel finish. See table below for available finishes.

'X' Code	Finish
G	Grey RAL9006.
K	Black RAL9005.
W	White RAL9010.
Z	Special finish. Customer to specify on order.



Philip Payne Ltd

A SUBSIDIARY OF F.W. THORPE PLC
 Thornhill Road, Lode Lane, Solihull, B91 2HB, England.

Tel: 0121 705 2384
 Fax: 0121 711 2469

e-mail: mail@philippayne.co.uk
 Website: <http://www.philippayne.co.uk>

Philip Payne Ltd registered in England No. 1361523



ISO 9001
 FM55077



SL80RDLB_RANGE_2