

Description:

Surface wall mounted LED luminaire.

Standards:

- EN60598-1
- EN55015
- EN61547
- EN61000-3-2
- CE marked

Specification:

Total Weight: 1.5 Kg.
 Lamp: 13W LED.
 Colour Temp: 3000K.
 Supply Voltage: 220-240VAC 50/60Hz.
 Supply Current: <200mA during normal luminaire operation, after inrush current on start up.
 Operating Temp: Min 0°C / Max 25°C.
 IP Rating: IP66.

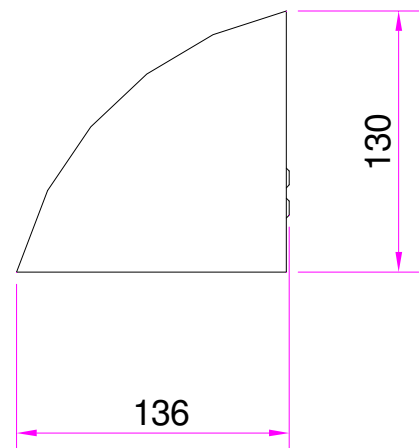
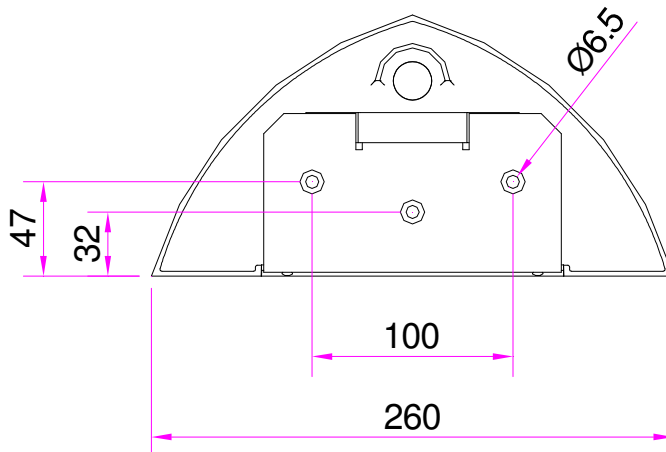
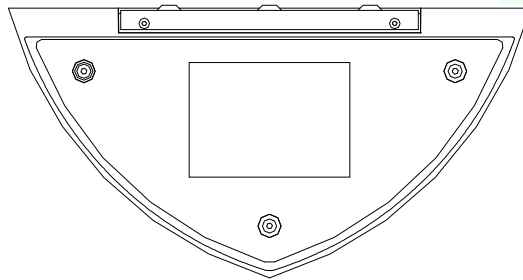
Part Numbers Explained:

MF10013LA - B

Where 'B' designates the finish. See Table for options & codes.

MF10013LA Finish Options:

'B' Code	Finish
G	Grey RAL9006.
K	Black RAL9005.
V	Old penny bronze.
W	White RAL9010.
Z	Special finish to be specified on order.



Philip Payne Ltd

A SUBSIDIARY OF F.W. THORPE PLC
 Thornhill Road, Lode Lane, Solihull, B91 2HB, England.

Tel: 0121 705 2384

Fax: 0121 711 2469

E-mail: mail@philippayne.co.uk

Website: <http://www.philippayne.co.uk>

Philip Payne Ltd registered in England No. 1361523



ISO 9001
 FM55077