



CLASSIC Seven

Seven



Philip	Payne
---------------	--------------



The reason that the classic seven range remains so popular in commercial and retail applications is simple – it's versatility.

Every mounting requirement is covered by a family of products, available in a myriad of finishes with options to remote control gear housings to maintain the sleek profile where architectural obstacles exist. Whether top fixed, back fixed, end fixed or suspended, the materials used lend the product to the full range of contemporary and heritage finishes offered by Philip Payne from Stainless to bronze plus the full spectrum of powder coat colours.

Available with 6w T5 or LED light sources the range can operate with central batteries or as a self contained unit with the add on features of Autotest or DALI functionality also available.

LEGEND OPTIONS



GEAR SUFFIXES

6w T5 230v Mains (Central Battery)	HF
6W T5 MM3	MM
6w T5 MM3 Auto Test	YM
LED 230v Mains (Central Battery)	LA
LED MM3	LM
LED MM3 Auto Test	YL
LED MM3 DALI	DL

CONSTRUCTION

- EN60598-2-22
- CE Marked
- RAL9010 Standard Finish
- Other finishes available
- LED Option
- Self Test and DALI versions

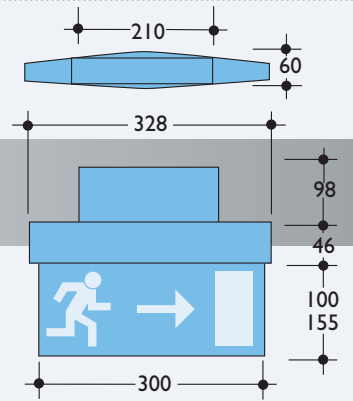
Eg: 6 watt 3 Hour maintained, semi recessed version: **7100MM**



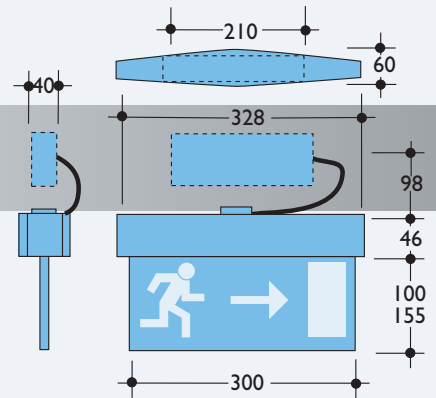
CLASSIC Seven



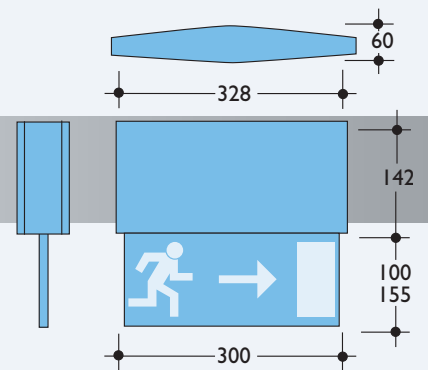
7100
Semi Recessed
Ceiling



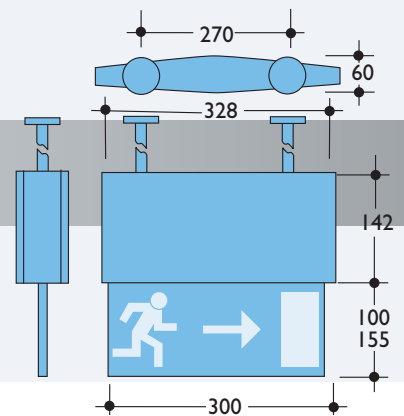
7150
Semi Recessed
Ceiling
Remote Gear



7200
Surface Ceiling

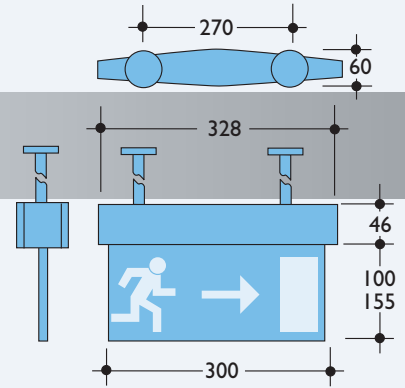


7400
Suspended

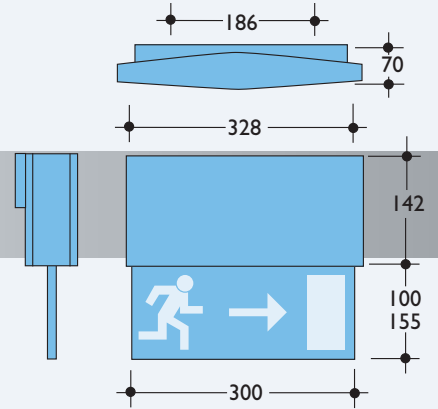




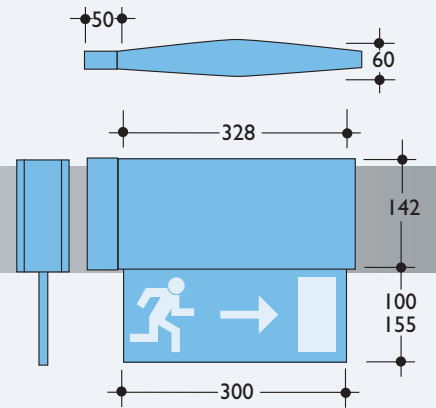
7500
Suspended



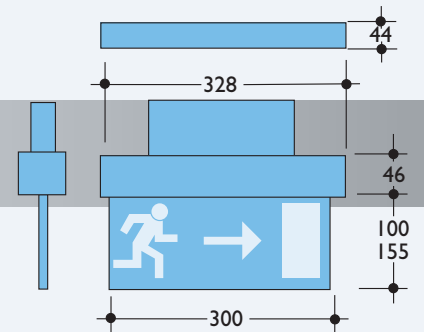
7600
Back Fixed



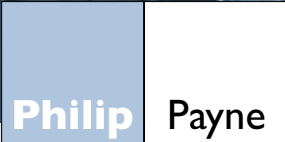
7700
End Fixed



SQ7
Recessed ceiling







Philip Payne Ltd

A SUBSIDIARY OF F.W. THORPE PLC

Thornhill Road
Lode Lane
Solihull
B91 2HB
England.

Tel: 0121 705 2384
Fax: 0121 711 2469

e-mail: mail@p-payne.co.uk
www.philippayne.co.uk

Philip Payne Ltd registered in England No. 1361523
We reserve the right to alter specifications without prior notice.

