



Arca

Arca



Philip	Payne
---------------	-------



The ARCA exit sign can be recessed or surface mounted depending on building design requirements.

It is supplied complete with 4 recessing brackets that work with most wall types. The injection moulded body permits simple installation / maintenance, the legend fixing moulding results in no visible fixings which creates a floating visual for minimal impact. The ARCA plus incorporates a legend frame to accentuate the “floating effect” in a range of environments. The body is available in white or grey in RAL9006 to coordinate with frame options and décor.

When surface mounted the product has a further option of a single LED downlighter to supplement emergency schemes or provide extra vertical emergency illumination required for higher risk task/ areas called for in BS5266-10 such as push bars and secured exits.

Legend Options



Construction

- EN60598-2-22
- Standard Finish: Satin Chrome
- LED Lightsource: 50000 Hours Life
- NIMH Batteries
- Simple First Fix Wiring
- Separate Entry For Mains/Comms Coable
- No Visible Fixings

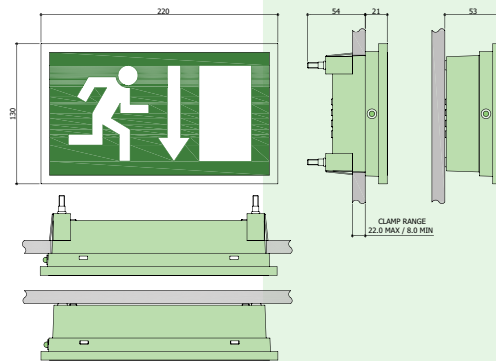


Arca

- PC/ABS Injection Moulded Body
- Surface Mounting
- Recessed Mounting (Kit Included)
- Simple Installation
- Backlit By Single HIGH Power LED
- No Visible Fixings
- Supplementary Downlight Option
- Body Colour Options
- 5 Gear Options
- Nickel Metal Hydride Batteries



22 IARCAWLM



Example Product Code		22	I	ARCA	W	LM
Options	Choices					
Light Source Options	Standard Backlit		I			
	C/W Downlight Option		2			
Body Colour Options	RAL9010				W	
	RAL9006				G	
	RAL9005				K	
Gear Options	Central 230v Battery					LA
	Self Contained 3hr Battery					LM
	DALI					DL
	Specto Potential Free					PL
	Autotest					YL

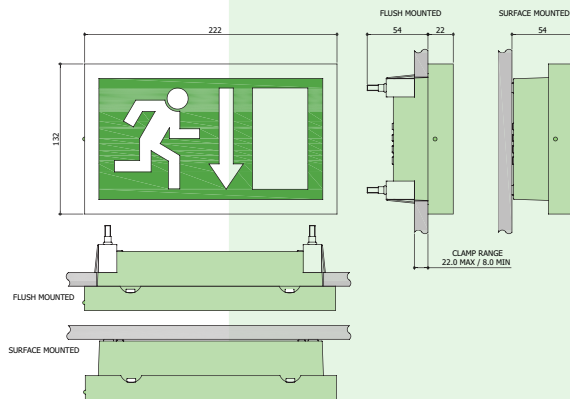


Arca Plus



- PC/ABS Injection Moulded Body
- Frame Supplied As Standard
- Special Finishes Available
- Surface Mounting
- Recessed Mounting (Kit Included)
- Simple Installation
- Backlit By Single HIGH Power LED
- No Visible Fixings
- Supplementary Downlight Option
- Body Colour Options
- 5 Gear Options
- Nickel Metal Hydride Batteries

222ARCPGLMG



Example Product Code		22	2	ARCP	G	LM	G
Options	Choices						
Light Source Options	Standard Backlit	I					
	C/W Downlight Option	2					
Body Colour Options	RAL9010	W					
	RAL9006	G					
	RAL9005	K					
Gear Options	Central 230v Battery	LA					
	Self Contained 3hr Battery	LM					
	DALI	DL					
	Specto Potential Free	PL					
	Autotest	YL					
Frame Options	Satin Chrome	R					
	Brass	B					
	Polished Chrome	C					
	RAL9010	W					
	RAL9005	K					
	RAL9006	G					
	BMA	D					
	Penny Bronze	V					





221ARCAWLM



221ARCPGLMG



222ARCAWLM



222ARCPGLMG



Philip Payne Ltd

A SUBSIDIARY OF F.W. THORPE PLC

Thornhill Road
Lode Lane
Solihull
B91 2HB
England.

Tel: 0121 705 2384
Fax: 0121 711 2469

e-mail: mail@p-payne.co.uk
www.philippayne.co.uk

Philip Payne Ltd registered in England No. 1361523
We reserve the right to alter specifications without prior notice.

