

**Philip Payne**

**PRODUCT DATA SHEET**

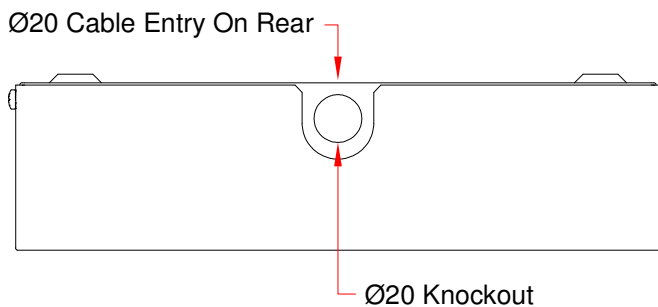
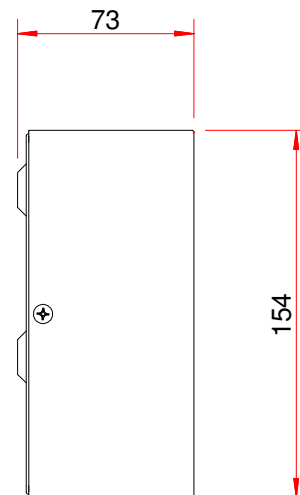
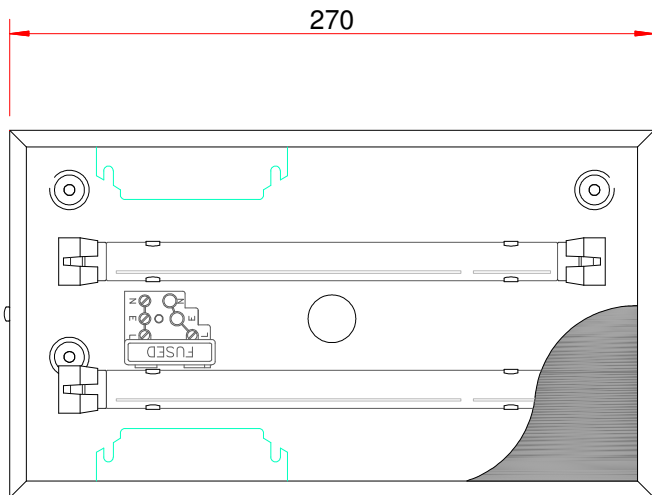


**Product Type: 2850SF**

Manufactured to meet standards:

- EN 60598-1
- EN55015
- EN50082-1
- EN60555-2
- CE marked

<b>Supply Range</b>	220-240V AC 50/60Hz	<b>Overall Size</b>	270mm x 154mm x 73mm
<b>Supply Current</b>	< 150 mA Peak	<b>Mounting Position</b>	Surface Wall
<b>Lamp Type(s)</b>	2 x 6W T5 Fluorescent (switched together)	<b>Weight</b>	2.5 Kg
<b>Operation Mode</b>	Mains HF	<b>Operating Temperature</b>	Min 0°C / Max +25°C
<b>IP Rating</b>	IP30	<b>Finish</b>	Gloss White as standard



**Philip Payne Ltd**

A SUBSIDIARY OF F.W. THORPE PLC  
Thornhill Road, Lode Lane, Solihull, B91 2HB, England.

Tel: 0121 705 2384

Fax: 0121 711 2469

E-mail: [mail@philippayne.co.uk](mailto:mail@philippayne.co.uk)

Website: <http://www.philippayne.co.uk>

Philip Payne Ltd registered in England No. 1361523



ISO 9001  
FM55077

