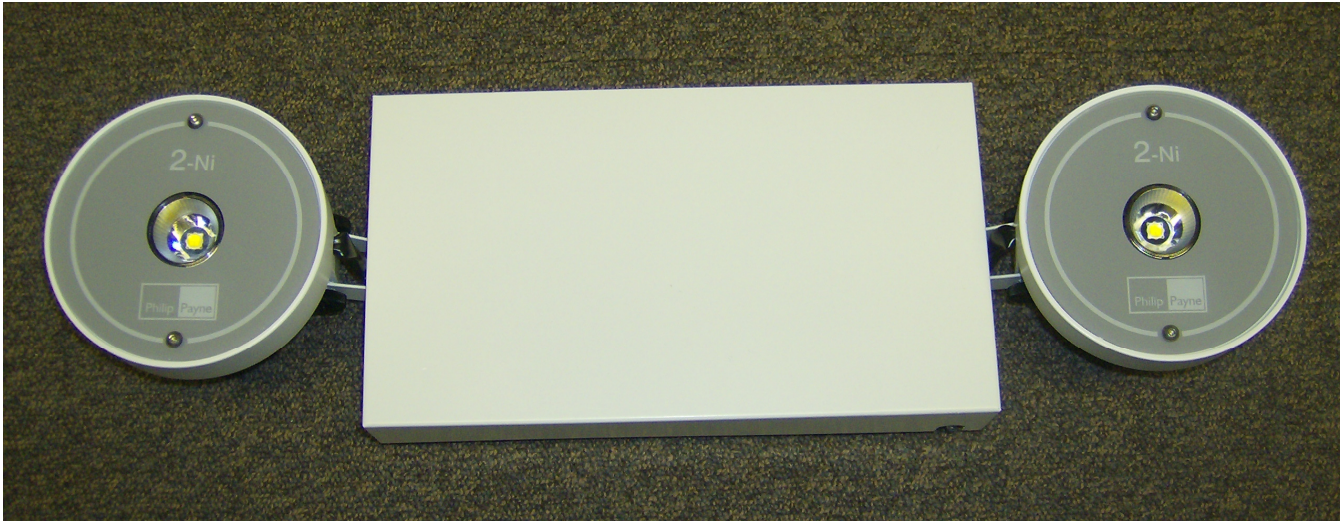




## 2-Ni LED Emergency Twin Spot AVTN Range.



**Description:** Surface mounted LED emergency twin spot luminaire with adjustable lamp heads.

**Standards:**

- EN60598-2-22
- EN55015
- EN50082-1
- EN60555-2
- CE marked

**Specification:**

**Total Weight:** 3.7 Kg.

**LED Lamps:** 2 x Philips Luxeon M LED's.

**Total LED wattage:** 6.5 Watts.

**Beam Angle:** 29 degree and 63 degree versions available. See Table A.

**Lumen Output:** Dependent upon beam angle. See Table A.

**Supply Voltage:** 220-240 V AC 50/60Hz.

**Supply Current:** 15mA (during normal luminaire operation, after inrush current on start-up).

**Operation:** Emergency Non-Maintained.

**Battery Pack:** Self-contained Ni-Cad.

**Dali Versions:** Dedicated DALI interface for customer controlled monitoring & reporting. Also, stand-alone automatic testing if not connected to a DALI system.

**Operating Temp:** Min 0°C / Max 25°C.

**IP Rating:** IP30.

**Finish:** See Table B for available finishes and suffix codes.

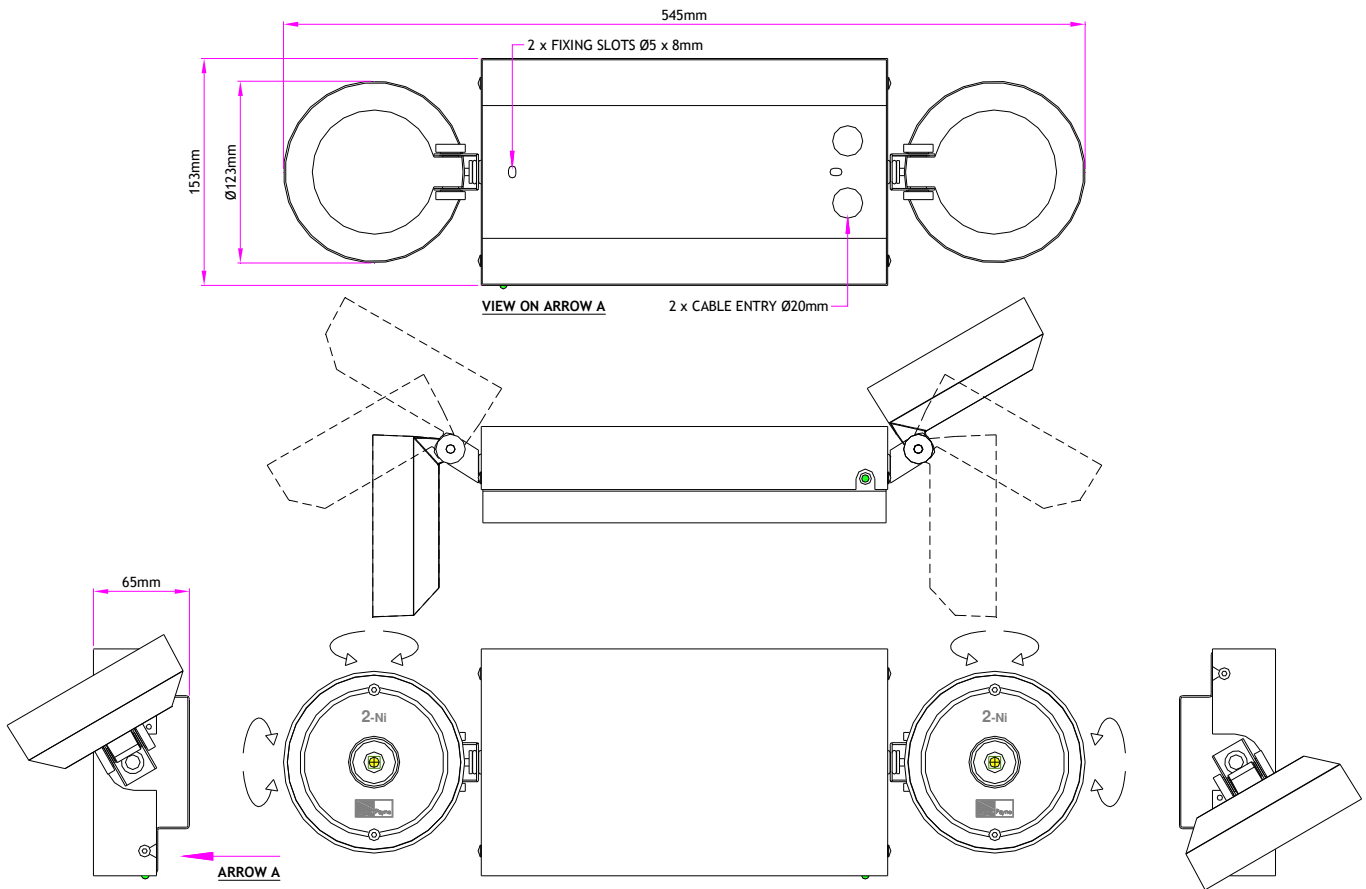
**Table A: Part Codes**

Part Code	AVTN296DS*	AVTN296LN*	AVTN636DS*	AVTN636LN*
Beam Angle	29 degrees	29 degrees	63 degrees	63 degrees
Lumen Output	325 lumens	325 lumens	345 lumens	345 lumens
Gear Type	DALI emergency	Basic emergency	DALI emergency	Basic emergency

\*Please add finish suffix to complete the part number.

**Table B: Finish Options**

Finish Suffix	Finish Description
G	Grey RAL9006.
K	Black RAL9005.
V	Old penny bronze.
W	White RAL9010.
Z	Special finish. Customer specification to be specified on order.



**Philip Payne Ltd**

A SUBSIDIARY OF F.W. THORPE PLC  
Thornhill Road, Lode Lane, Solihull, B91 2HB, England.

Tel: 0121 705 2384  
Fax: 0121 711 2469

e-mail: [mail@philippayne.co.uk](mailto:mail@philippayne.co.uk)  
Website: <http://www.philippayne.co.uk>

Philip Payne Ltd registered in England No. 1361523



ISO 9001  
FM55077



AVTN\_RANGE\_1