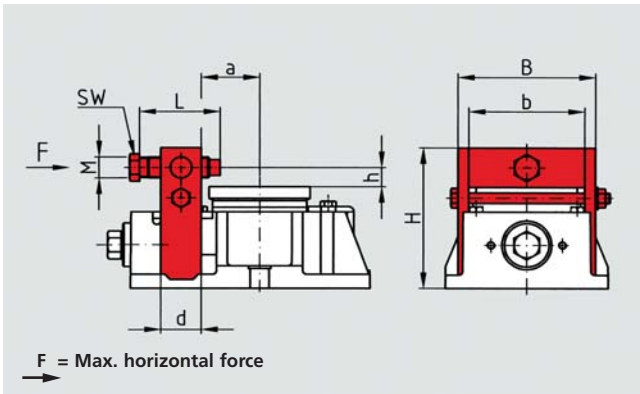


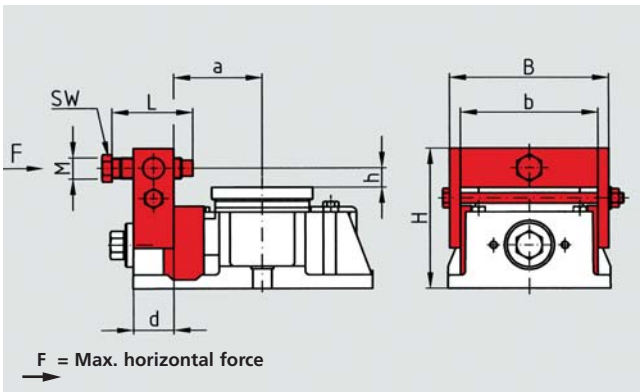
# Other applications



**d**

Lateral adjuster for adjusting machine location

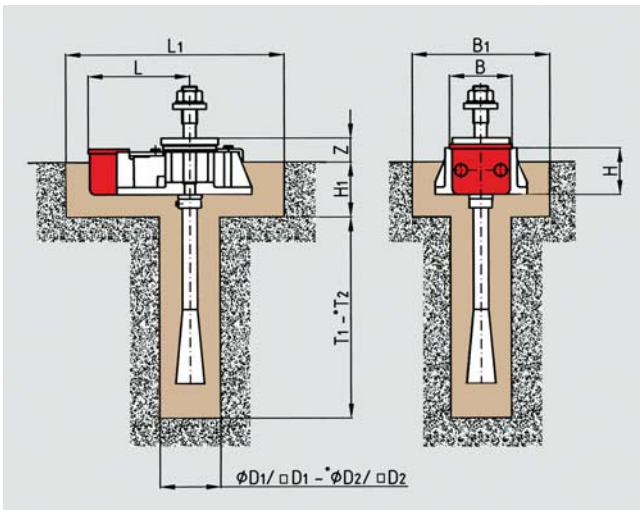
RK	M	L	SW	H	B	b	d	a	h	F
										N
I	M12	50	17	83	86	70	25	40	15	20 000
II	M16	60	19	106	102	86	30	43	16	25 000
III	M16	60	19	129	129	109	35	55	16	35 000
IV	M20	70	24	160	150	130	40	70	20	40 000
V	M24	80	30	192	199	175	45	90	24	60 000



**dz**

Offset lateral adjuster for adjusting machine location

RK	M	L	SW	H	B	b	d	a	h	F
										N
I	M12	50	17	83	102	86	25	57	15	20 000
II	M16	60	19	106	118	102	30	65	16	25 000
III	M16	60	19	129	149	129	35	80	16	35 000
IV	M20	70	24	160	170	150	40	100	20	40 000
V	M24	80	30	192	223	199	45	123	24	60 000



**m**

Set screw guard on flush mounted BW-Fixator®  
Foundations in combination of variants **m** and **wes**

RK	L	B	H	Z	Foundations			*Foundations 2			
					L1	H1	B1	D1	T1	D2	T2
I	131	81	50	20	310	70	160	70	230	-	-
II	132	92	62	25	310	80	200	80	270	100	360
III	164	92	79	30	380	100	250	100	340	120	430
IV	198	136	91	35	450	120	300	120	410	150	590
V	245	136	106	40	550	140	330	150	570	170	760

\*Foundations 2 in connection with the next size of anchor bolts