



# Pro•Tek® Industrial & Commercial Impact Protection Systems

Architectural Building Products Since 1945

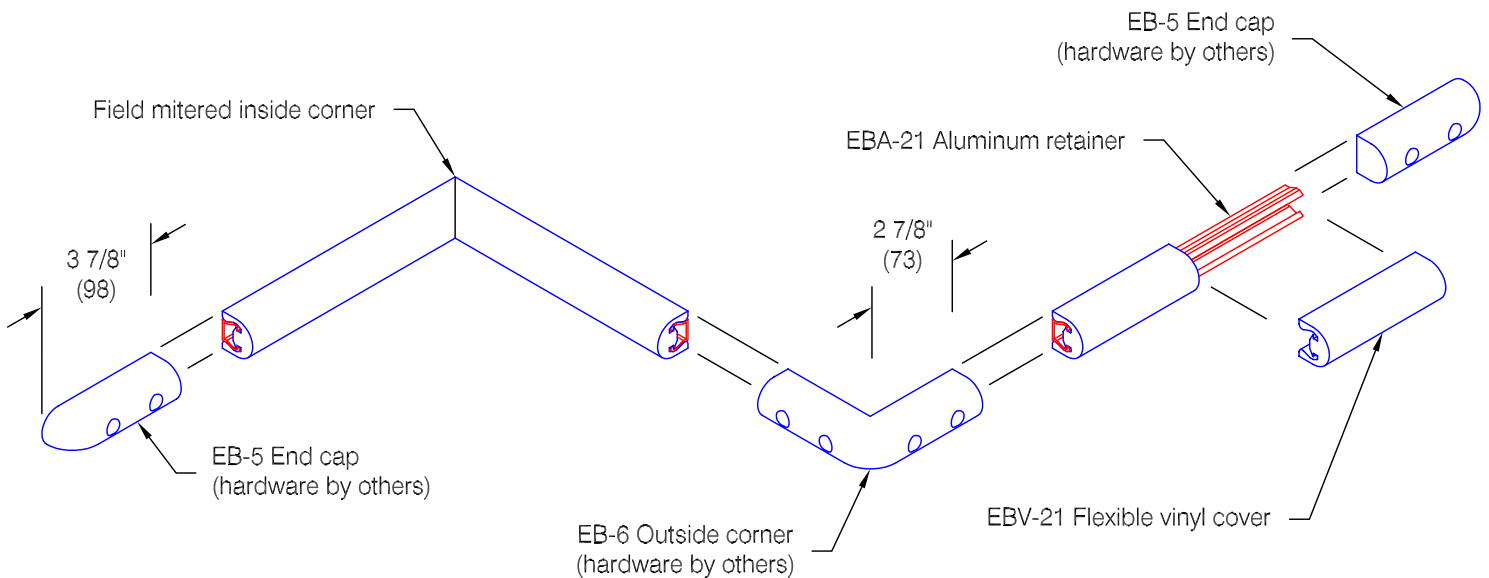
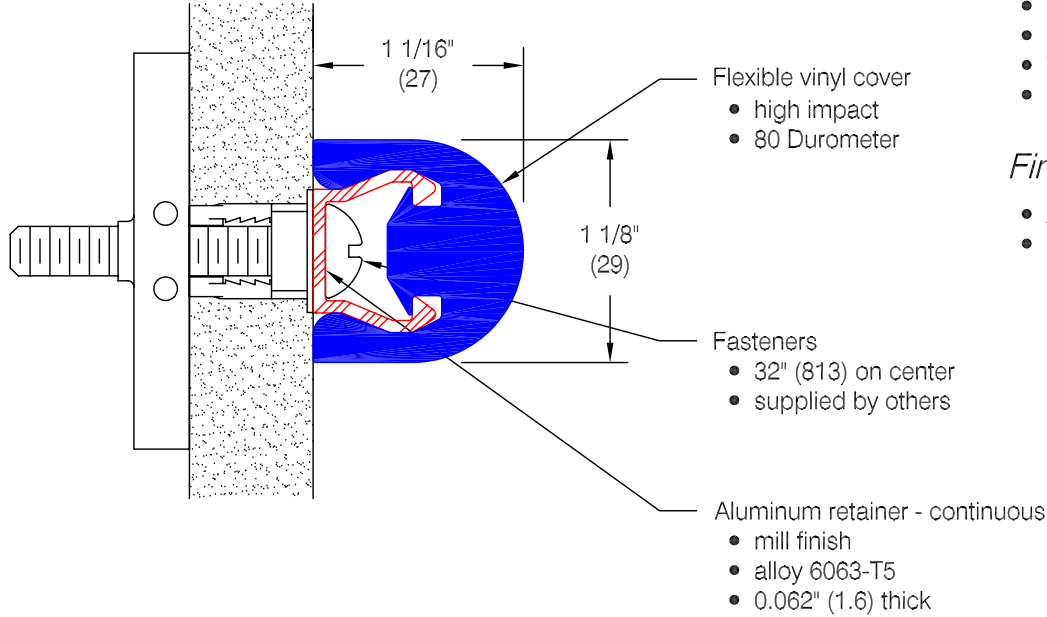
## EB-21 Flexible Vinyl Bumper

### Features:

- Molded end caps EB-5
- Molded outside corners EB-6
- Weight: 1.0 lbs / lf
- Stock lengths: 12'-0" (3658)

### Finishes:

- Available in limited standard colors
- Custom colors available



Pawling Corporation reserves the right to discontinue a design or modify an existing design without prior notice

Customer :	Project :	CD.109.0c
Architect :	Sales Rep :	