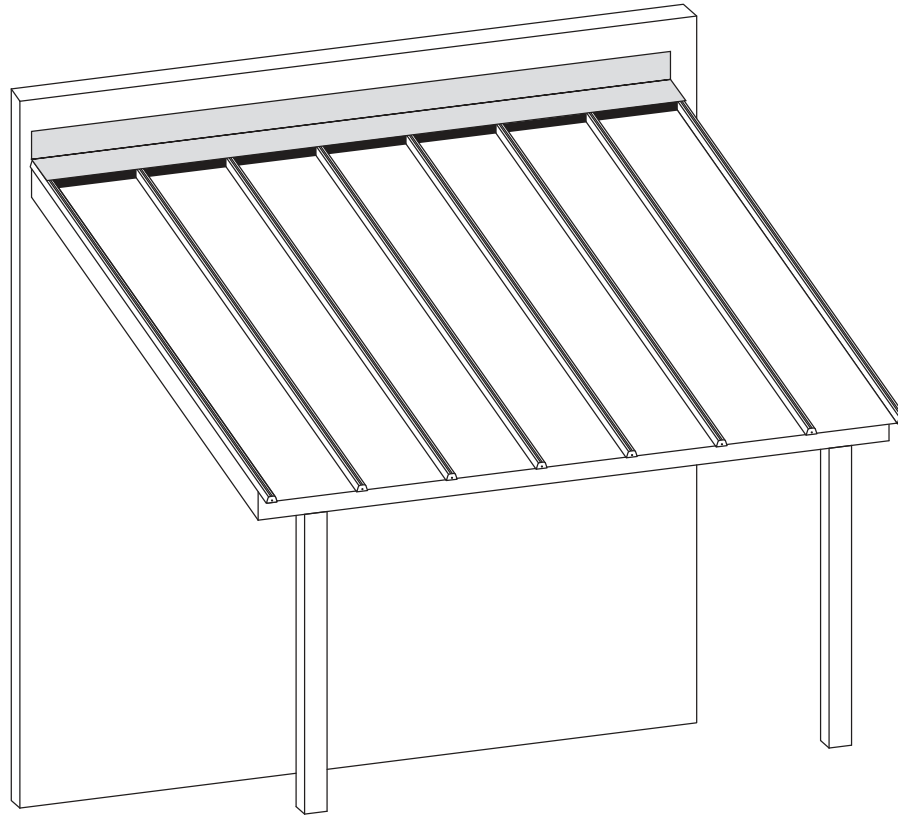




# SUNGLAZE™ Installation Guide



UV Resistance



Snow Load



Wind Resistance



Aesthetics




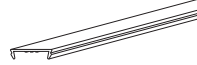
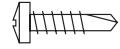
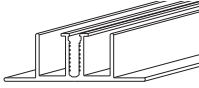

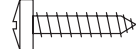
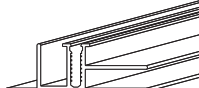

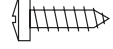


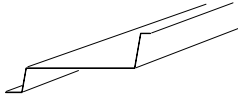
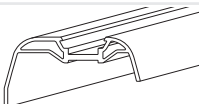
Easy To Install

[SUNGLAZE™ - Product Page](#)

[Installation Video](#)

[PALRAM Website](#)


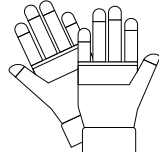

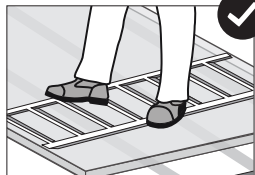
# System Components

SUNGLAZE Panel		Inner & End Profile Cap Cover		<b>Fixing Screw</b> self-drilling screw 4.8x19mm (#10x3/4") for metal sub-structure	
Inner Profile Base		Inner Profile Closure		<b>Fixing Screw</b> self-tapping screw 4.8x25mm (#10x1") for wood sub-structure	
End Profile Base		End Profile Closure		<b>Locking Screw</b> 5.5x19mm (#12x1")	
Inner Profile Cap		End Panel Gasket		Head Wall Flashing *Not supplied by Palram	
End Profile Cap					

## Required Tools

			
Drill	Screw Gun	Rubber Mallet	Ladder
	or 		
Circular Saw	Jigsaw	Angle Grinder	Measuring tape

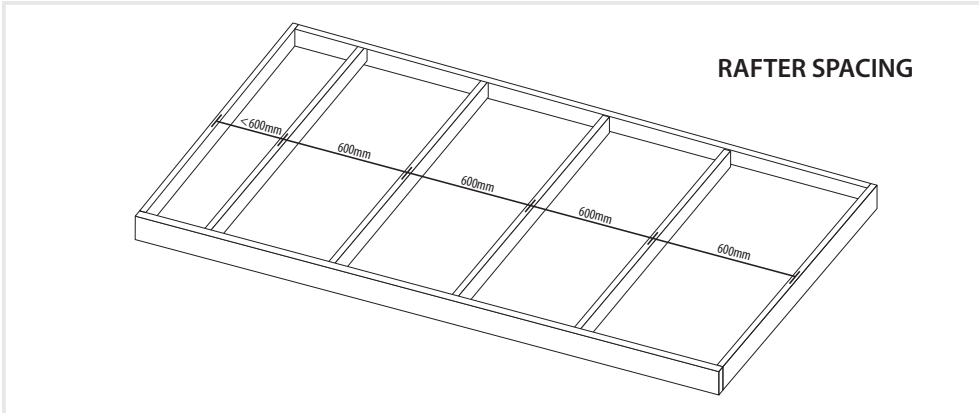
## Safety comes first

		<p><b>Do not step directly on the sheets between the purlins!</b></p> <p>When installing SUNGLAZE or doing maintenance work, always consider the sheet to be unfit to support a person's weight. Always use stepping ladders or crawling boards, supported by minimum three roof structural elements, when working on a glazed roof of any kind.</p>
	 	

# Before Installation

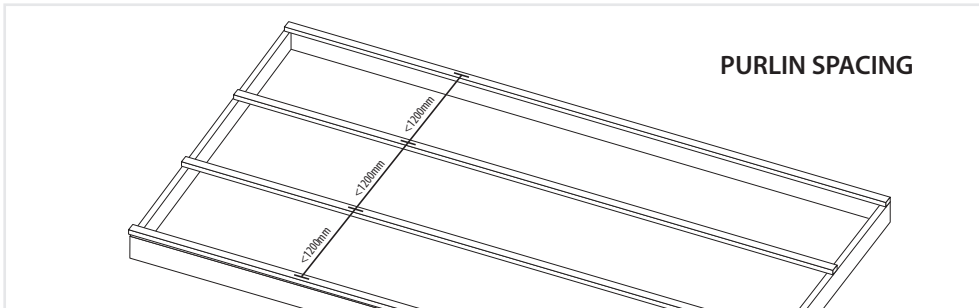
Ensure that the underlying roof structure is square before starting installation of the SUNGLAZE Roof Covering System.

## 1 Measure rafter spacing



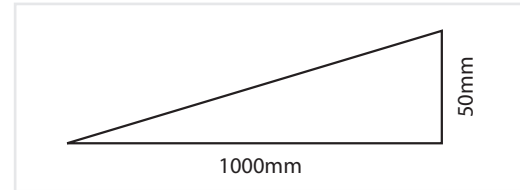
- To install SUNGLAZE directly on rafters, the inner rafters must be 600mm on center.
- If end rafters are less than 600mm on center, then the end Roof Panels must be cut to proper width before installation. SEE PAGE 8.

## 2 Measure purlin spacing



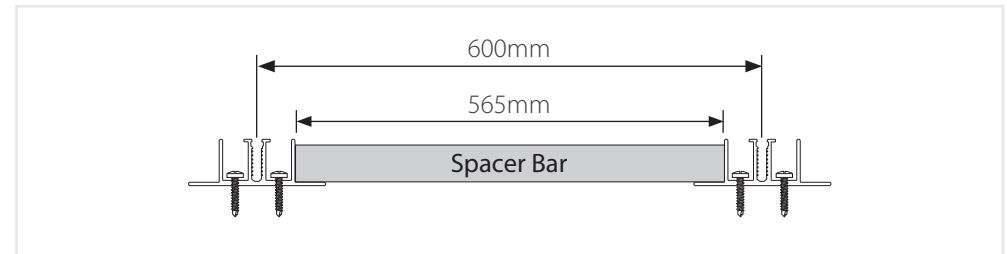
- To install SUNGLAZE directly on purlins, the purlins must be the same distance apart from each other.
- The maximum distance between purlins for SUNGLAZE is 1200mm on centers.
- For snow and uplift loads up to 150 kg/sqm.

## 3 Ensure minimum roof pitch



- Confirm that the roof pitch is at least 5% (50mm rise for 1m length).
- This minimum pitch will ensure proper water runoff and help keep the Roof Panels clean.

## 4 Make a spacer bar



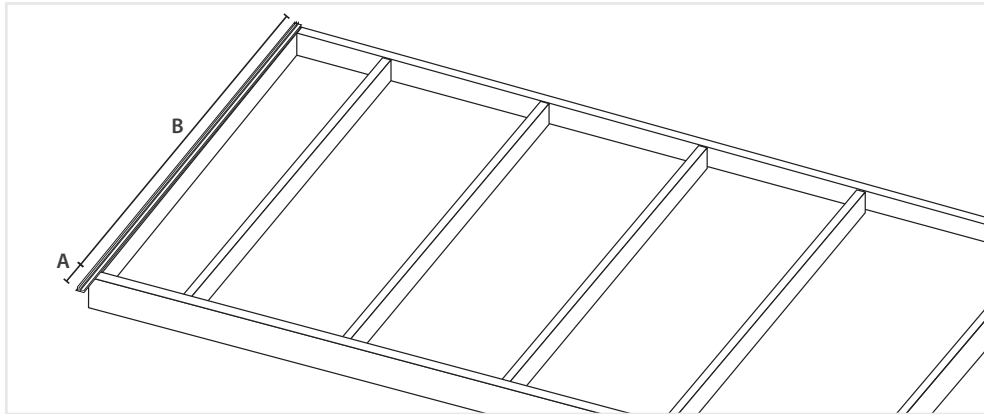
- Create a spacer bar as a jig to easily measure the distance between aluminum profiles during installation. Use a dowel, a 25x50mm, or similar.
- The spacer bar should be 565mm long.
- Make sure the edges are perfectly square cut.
- SEE PAGE 6 for spacer bar use.

# Before Installation

## 5 Measuring & Cutting Aluminum Profiles

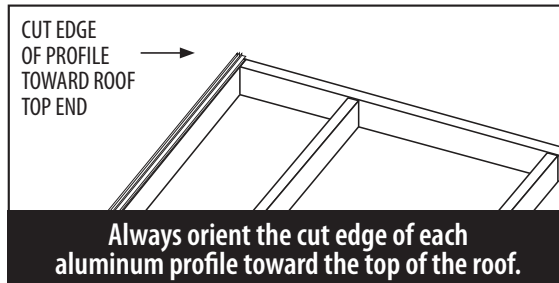
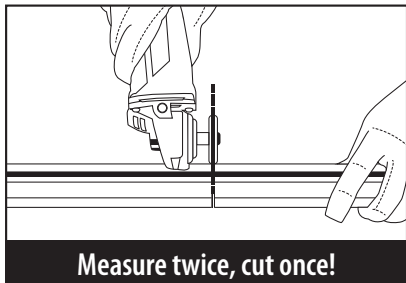
Measure and cut all aluminum Profile Bases, Profile Caps and Profile Cap Covers to correct length if required. The profiles should be at least 1cm longer than the panels.

**NOTE:** The aluminum profiles are already in the required length to suit the supplied sheets length.



Here's how to measure the proper Profile length:

- **ADD** – Roof overhang (50mm minimum to 100mm maximum) (A)
- **PLUS** – Length of roof run (B)
- **EQUALS** – Total length of each Profile Base, Profile Cap and Profile Cap Cover.

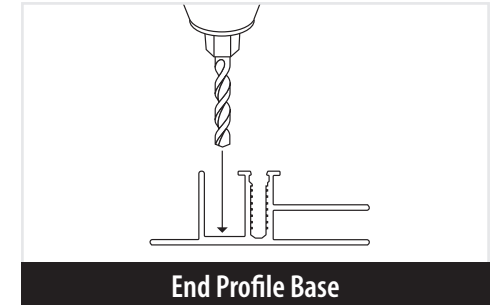
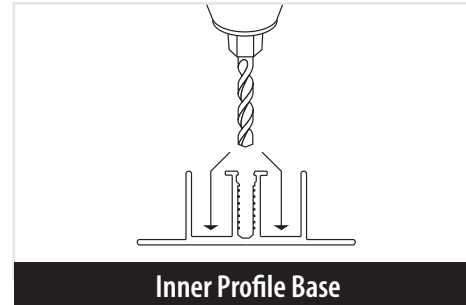


Use an angle grinder to cut each profile component to the exact length required.

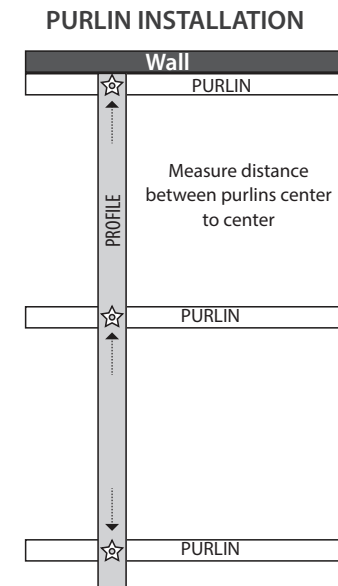
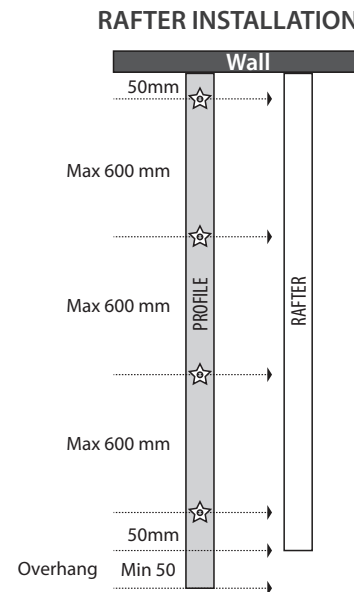
- Make sure your cuts are straight (exactly perpendicular to the profile).
- Wear gloves when cutting.
- Smooth rough edges with a metal file as needed.

**Before drilling holes, place the Inner & End Profile Base over a strip of wood. This will protect the end of the drill bit as it penetrates the Inner & End Profile Base.**

## 6 Drilling Holes in the Profiles (NOTE: If your rafters or purlins are made of metal skip to step 7)

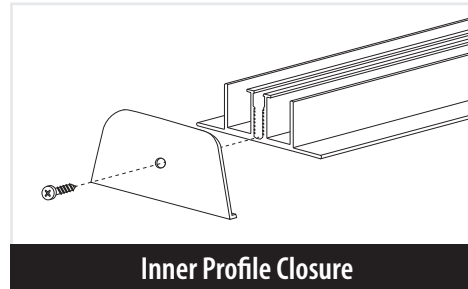
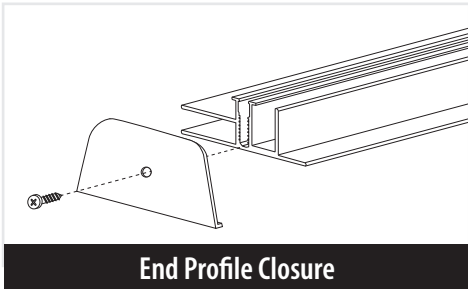


- Measure, mark and pre-drill 6mm screw holes in each End Profile Base and Inner Profile Base.
- Follow the hole spacing guidelines below for rafter or purlin installation to match your roof support structure.
- Make sure all holes are centered along the notch in the middle of each Profile channel.



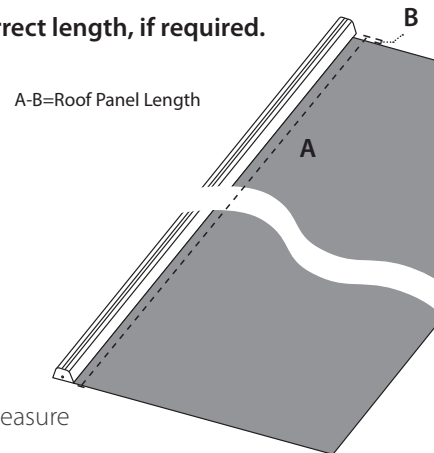
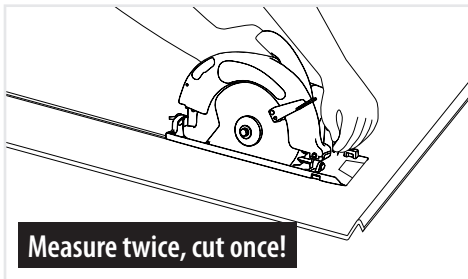
## Before Installation

### 7 Fastening Profile Closures.



- Fasten a Profile Closure to the TOP and BOTTOM end of every End Profile Base and Inner Profile Base.
- The Profile Closure will prevent the Roof Panel from sliding off when the Roof Panel is being installed.

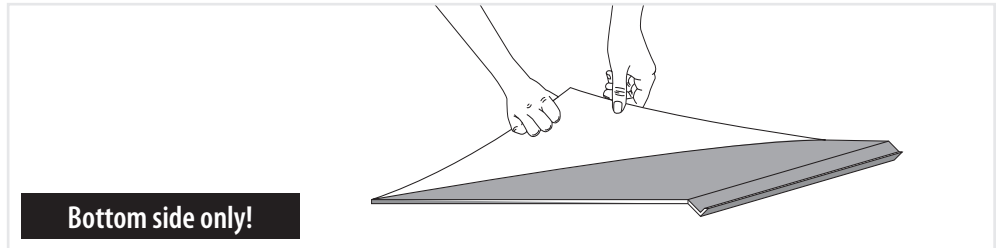
### 8 Measure and cut all Roof Panels to the correct length, if required.



- Out of the box, the Roof Panels and Profile parts are already cut to the proper size to fit together.
- If cutting Roof Panels is required, here's how to measure the proper Roof Panel length:
  - **A** – Length of aluminum Profile
  - **B** – MINUS 3mm for every 1.0m of aluminum Profile
  - **EQUALS** – Total length of each Roof Panel
- For example, if your aluminum Profile is 4 meters long, then your Roof Panel will be 3.988m long.

**Roof Panels must be cut shorter than Profiles to allow for panel expansion during hot weather. See the proper calculations above.**

### 9 Remove the protective film from the bottom of the Panel before installation.

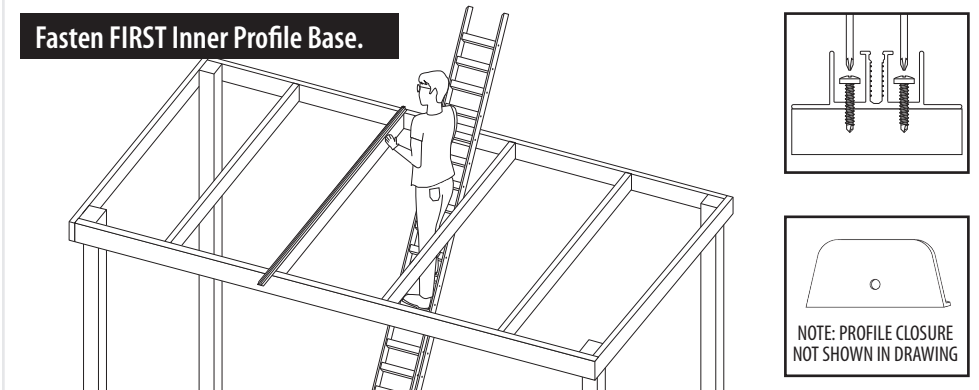


# Installation

**DO NOT INSTALL MORE THAN TWO INNER PROFILE BASES AT A TIME.**  
Otherwise, you risk accumulated measurement deviations across the roof.

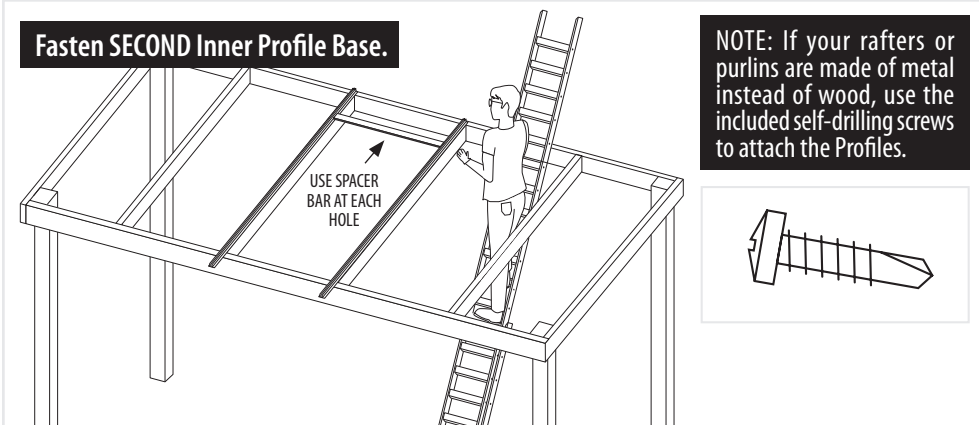
## 1 Fasten two Inner Profile Bases at or near the center of the roof.

### Fasten FIRST Inner Profile Base.



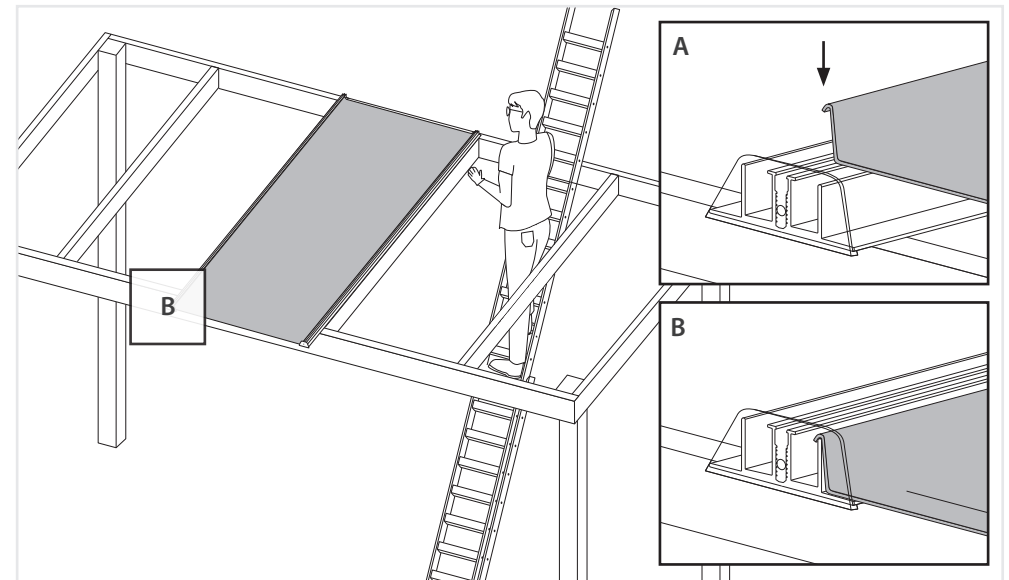
- Stand between rafters and start at top of roofline.
- Center the profile in the middle of the rafter.
- Fasten screws in pre-drilled holes along the length of the first Inner Profile Base.
- Using the spacer bar at every hole, fasten screws through the pre-drilled holes along the second Inner Profile Base.

### Fasten SECOND Inner Profile Base.



**Be sure that the overhang length is exactly the same for all Profile Bases.**

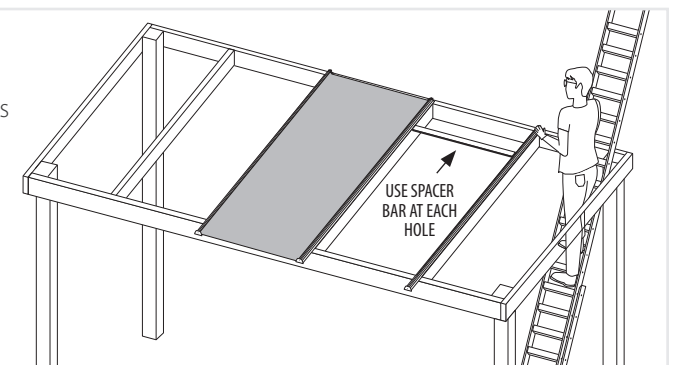
## 2 Place the first Roof Panel between the installed Inner Profiles Bases.



- Make sure the raised edges of the Roof Panel are seated along the length of both Inner Profile Bases.

## 3 Add the third Inner Profiles Base.

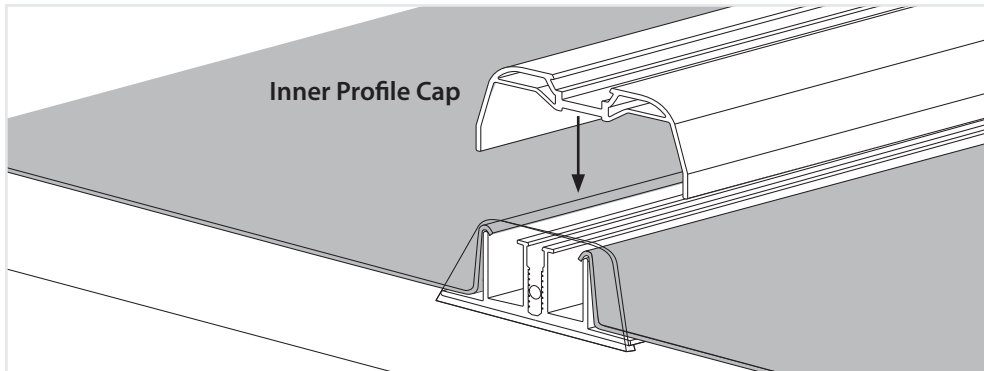
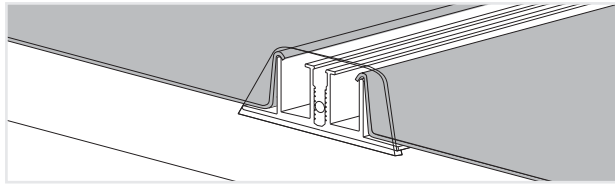
- Using the spacer bar at every hole, fasten screws through the pre-drilled holes along the third Inner Profile Base.



# Installation

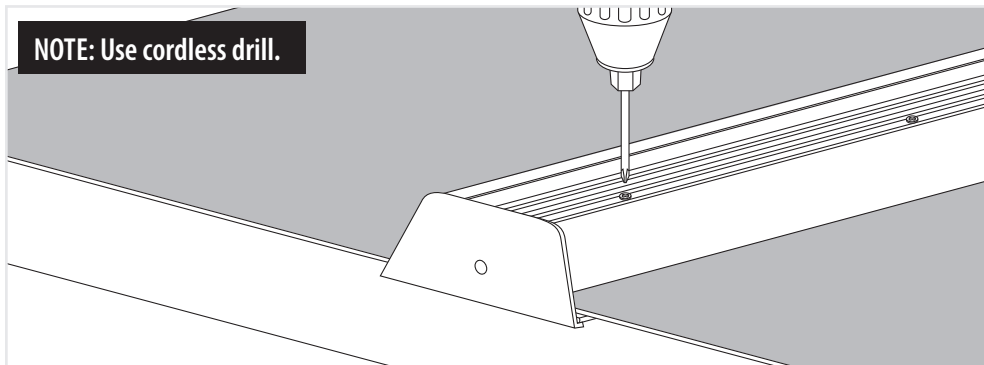
## 4 Installing Inner Profile Caps

Before fastening, align the Inner Profile Cap with end End Closure.



- After two adjacent Roof Panels are in place, install an Inner Profile Cap over the Inner Profile Base between them. This will secure down two adjacent Roof Panel edges.

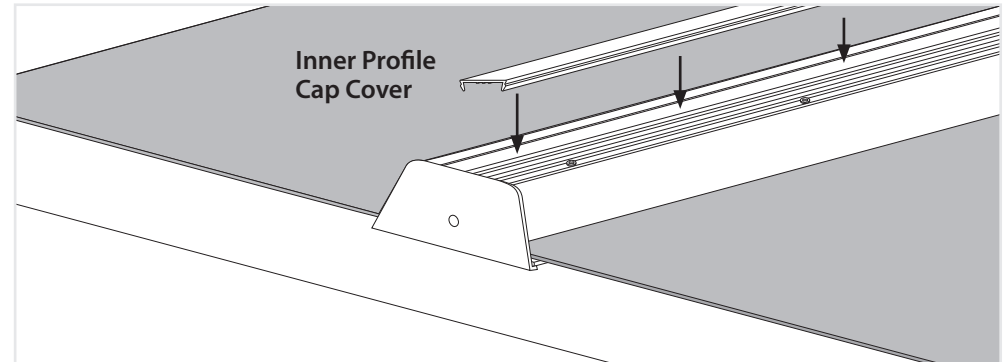
**NOTE: Use cordless drill.**



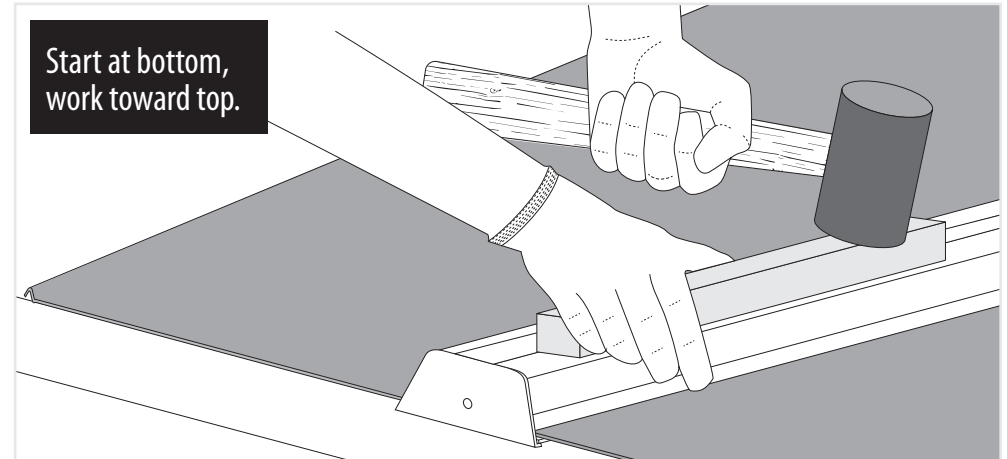
- Fasten The Inner Profile Cap To The Inner Profile Base Using The Locking Screws.
- Start fastening the Inner Profile Cap at the bottom of the roof line, and work toward the top.
- Use adjustable screw gun and avoid overtightening so the screw will not strip the threads out.
- Add another Inner Profile Cap in between every two new panels.

## 5 Installing Inner Profile Cap Covers

**THE INNER PROFILE CAP MUST BE FULLY FASTENED BEFORE ADDING THE CAP COVER. It is very difficult to remove the Inner Profile Cap Cover after installation.**



**Start at bottom, work toward top.**



- Install the Inner Profile Cap Cover by GENTLY tapping it into place with a rubber mallet.
- Use a piece of wood to disperse the impact of the mallet and avoid damage to the Profile pieces.
- Start at the bottom of the roof line and work toward the top.
- Remove the protective film after each Roof Panel is fully installed and secured.

# Installation

## 6 Measuring Roof Panels for left/right side of roof

**IF YOU DO NOT NEED TO RIP CUT YOUR FINAL TWO ROOF PANELS, SKIP TO STEP 12.**

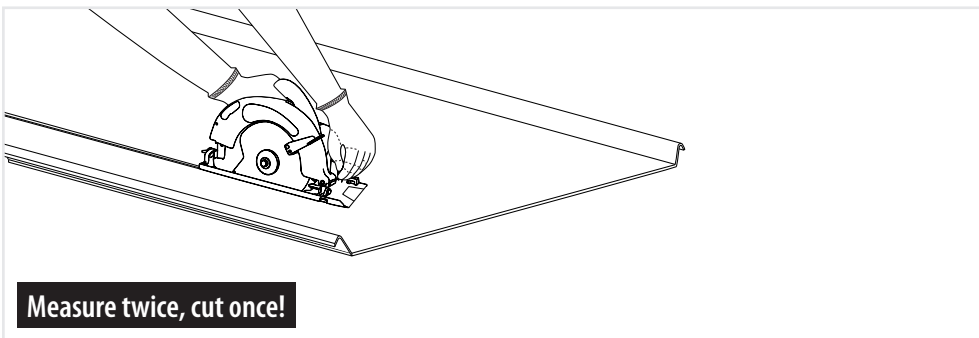
**You will rip cut the final left and right Roof Panels to fit (if required) BEFORE you install the End Profile Bases. See below.**



- Set the uncut end Roof Panel in place. On the Roof Panel, note the center line of the end rafter. Then subtract 9mm and mark that as your rip line along the Roof Panel.

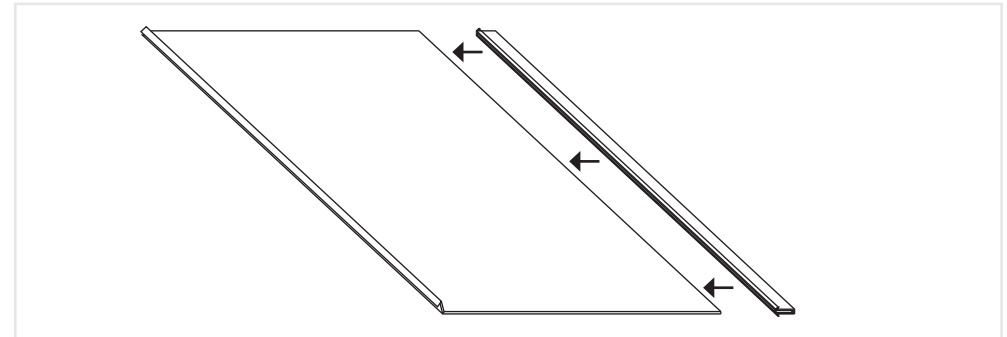
## On Ground

## 7 Cutting Roof Panels for left/right side of roof

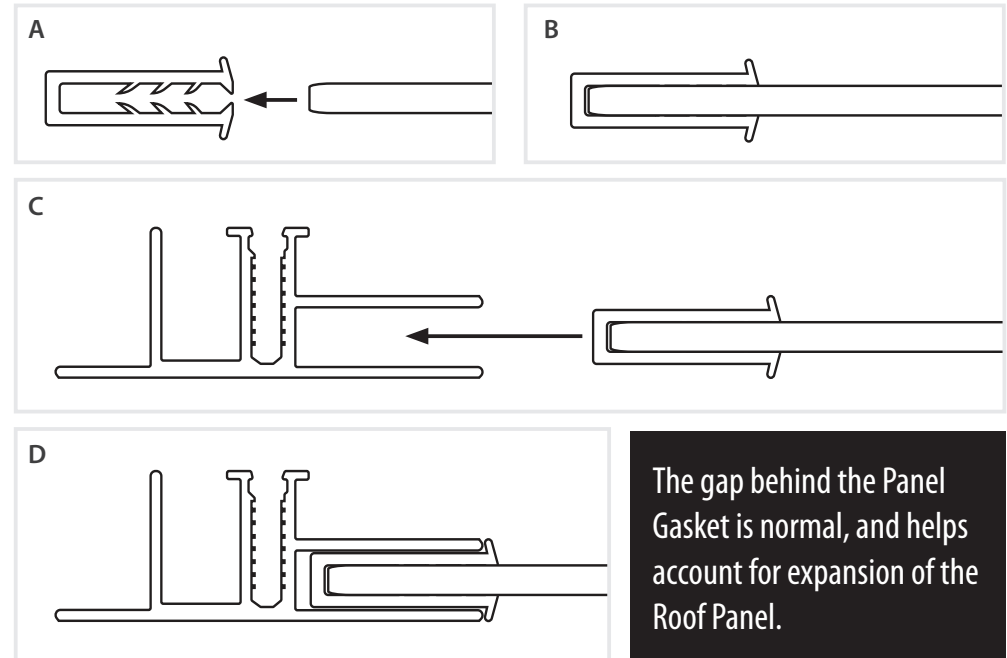


- Bring the sheet to the ground. Cut the Roof Panel along the rip line.

## 8 Installing End Profile Bases with CUT Roof Panels.



- Cut the Panel Gasket to the length of the Roof Panel.
- Then fit the cut Panel Gasket to the cut edge of the Roof Panel.



- Still on the ground, insert the End Panel Gasket and Roof Panel into the End Profile Base.
- Gently tap the End Profile Base with a rubber mallet to fully seat the Panel Gasket.
- Hammer against a length of wood to prevent damage to the End Profile Base.

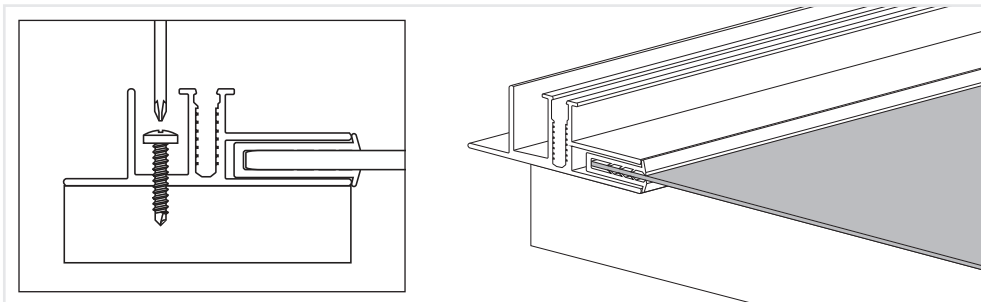
# Installation

## Back to the Roof

### 9 Fixing the side bases on both left and right side End Profile Bases.

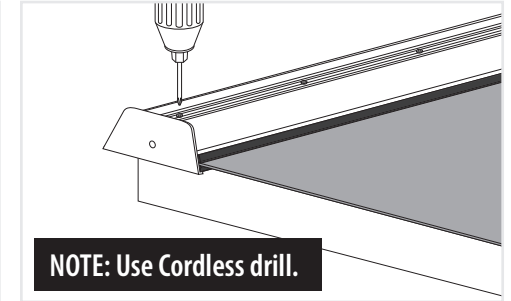
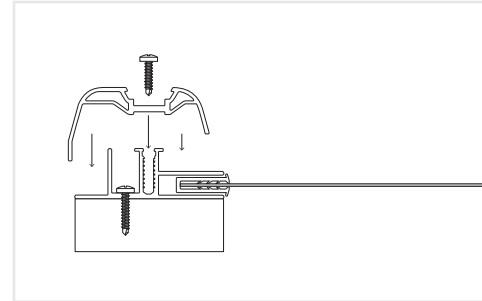


- Bring the entire assembly to the roof and set it in place.



- Fasten the Left and Right End Profiles Base to the end rafter through the holes along the length.

### 10 Install the End Profile Cap on both left and right side End Profile Bases.

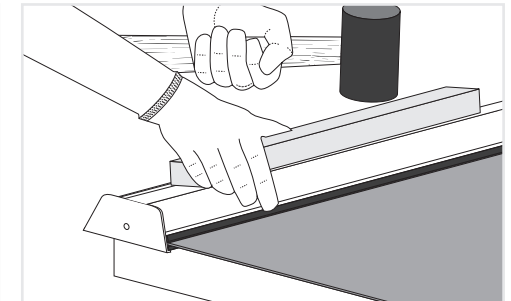
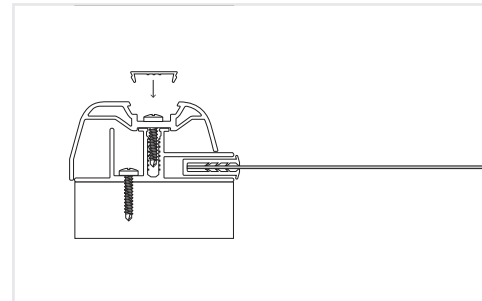


**NOTE: Use Cordless drill.**

- Start fastening the End Profile Cap at the bottom of the roof line, and work toward the top.

### 11 Install the End Profile Cap Covers on both left and right End Profile Caps.

**THE END PROFILE CAP MUST BE FULLY FASTENED BEFORE ADDING THE CAP COVER.  
It is very difficult to remove the End Profile Cap Cover after installation.**



- Install the End Profile Cap Cover by GENTLY tapping it into place with a rubber mallet.
- Use a piece of wood to disperse the impact of the mallet and avoid damage to the Profile pieces.
- Start at the bottom of the roof line and work toward the top.
- Remove the protective film after each Roof Panel is fully installed and secured.

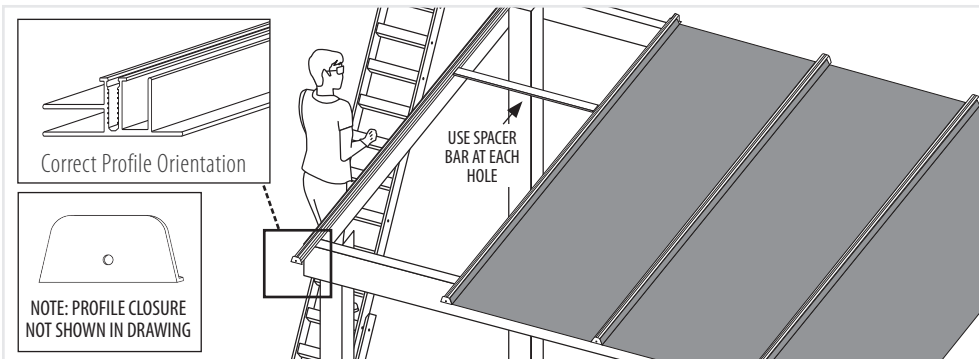
# Installation

## 12 Installing End Profile Bases with UNCUT Roof Panels.

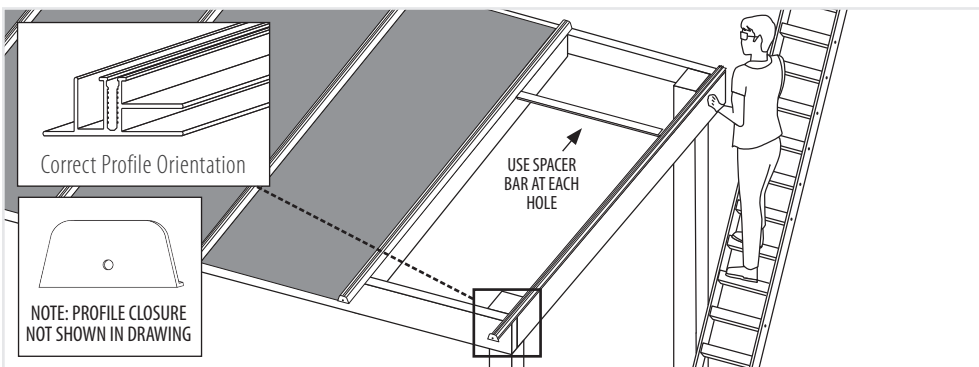
**IF YOU HAVE ALREADY INSTALLED CUT ROOF PANELS, SKIP TO STEP 15. END PROFILE BASES HAVE A DIFFERENT ORIENTATION WHEN USED WITH UNCUT ROOF PANELS.**

### A. Fasten the first End Profile Base to the left edge of the roof.

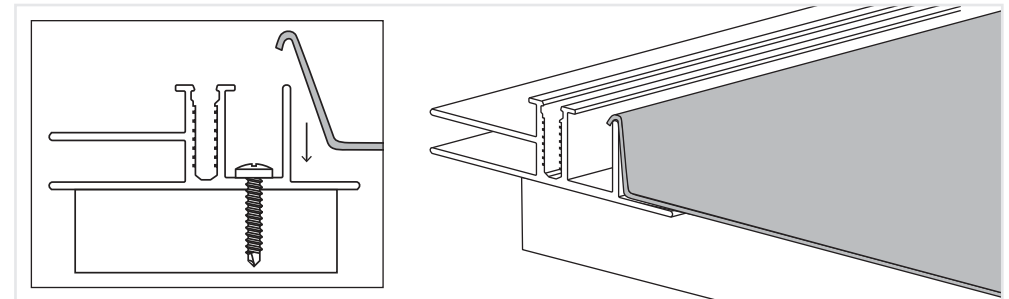
- Be sure the correct edge of the End Profile Base is facing inward toward the roof.
- Center the profile in the middle of the rafter.
- Using the spacer bar at every hole, fasten screws through the pre-drilled holes along the first End Profile Base.



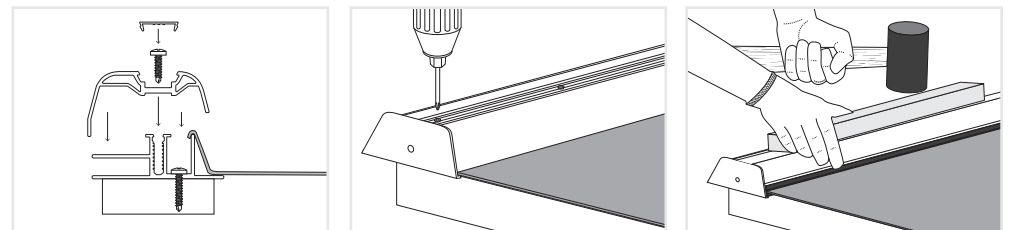
### B. Fasten the second End Profile Base to the right edge of the roof.



## 13 Installing Left and Right End UNCUT Roof Panels.



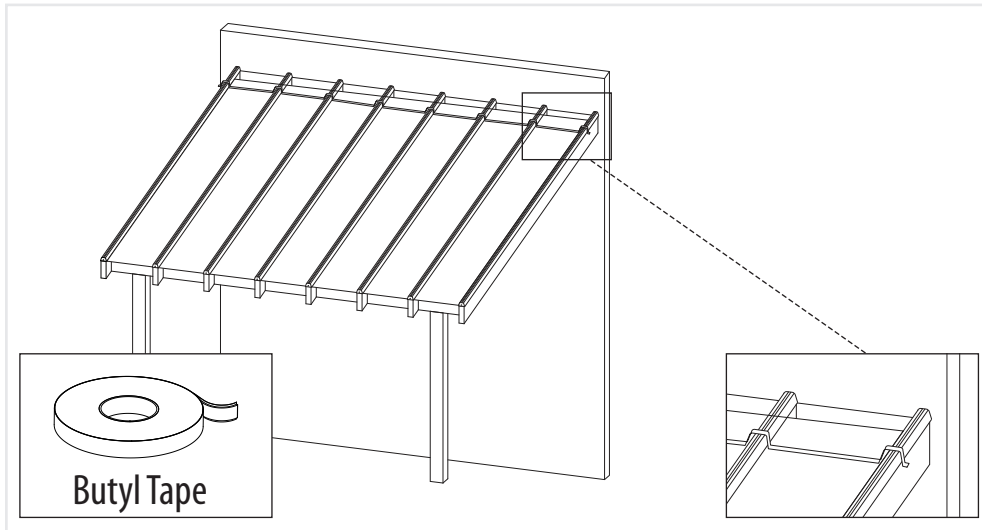
## 14 Installing Left and Right End Profile Caps and Cap Covers.



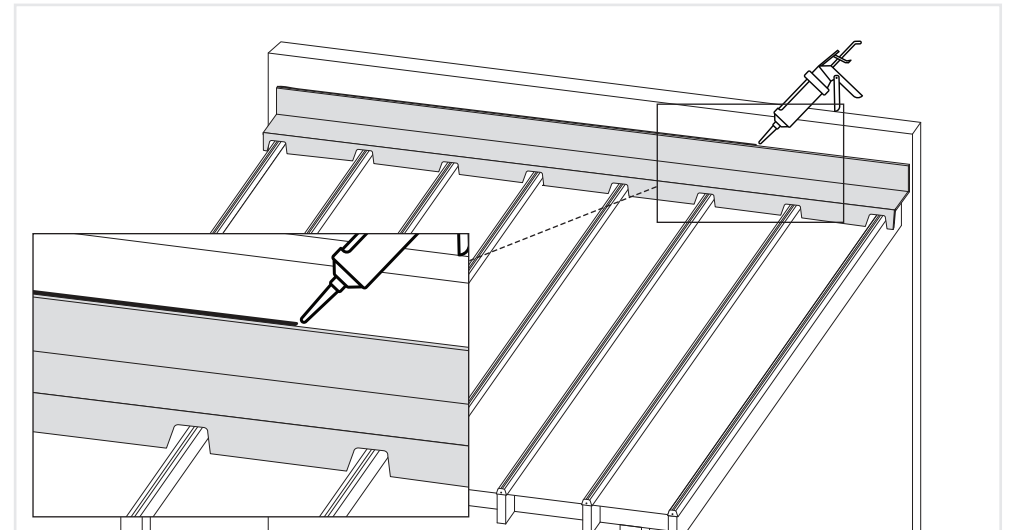
- Install the End Profile Cap at both sides of the roof.
- Start fastening the End Profile Cap at the bottom of the roof line, and work toward the top.
- Install the End Profile Cap Cover by GENTLY tapping it into place with a rubber mallet.
- Use a piece of wood to disperse the impact of the mallet and avoid damage to the Profile pieces. Start at the bottom of the roof line and work toward the top.
- Remove the protective film after each Roof Panel is fully installed and secured.

## Installation - Finishing

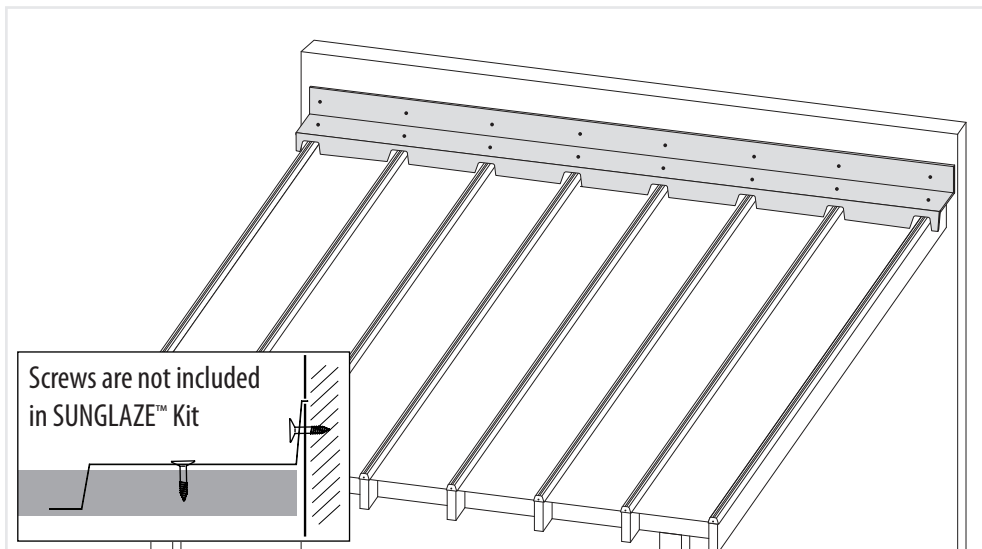
### 15 Butyl Tape (Not included in SUNGLAZE™ Kit)



### 17 Silicone (Not included in SUNGLAZE™ Kit)



### 16 Installing Head Wall Flashing (Not included in SUNGLAZE™ Kit)





**Palram H.Q.**  
Tel: +972 4 8459900  
Fax: +972 4 8444012  
palram@palram.com  
www.palram.com

**Palram Europe Ltd.**  
Tel: +44 1302 380777  
Fax: +44 1302 380788  
sales.europe@palram.com  
www.palram.com

**Palram Americas**  
Tel: 610 2859918  
Fax: 610 2859928  
palramamericas@palram.com  
www.palramamericas.com

