

FITTING INSTRUCTIONS - NOTICE DE POSE - MONTAGE HANDLEIDING - MONTAGEANLEITUNG ISTRUZIONI DI MONTAGGIO - INSTUCCIONES DE MONTAJE

Warranty. This product is covered by a 10 year manufacturer's warranty. Please see the P C Henderson website for terms and conditions.

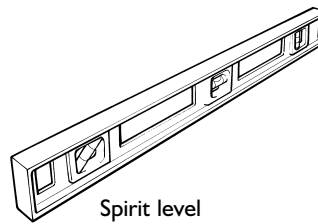
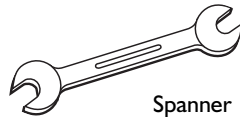
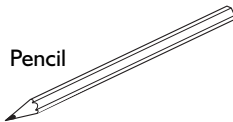
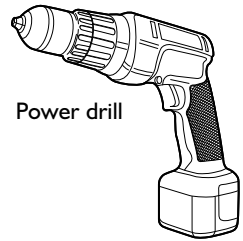
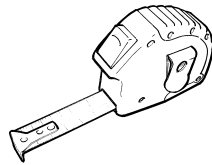
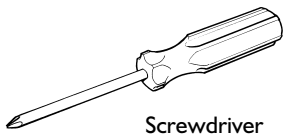
WATCH THE INSTALLATION VIDEO

Visit: www.pchenderson.com/rustic-installation

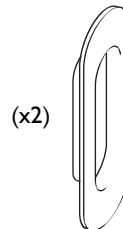
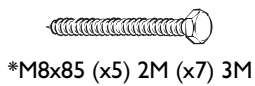
Or scan the QR code using your phone



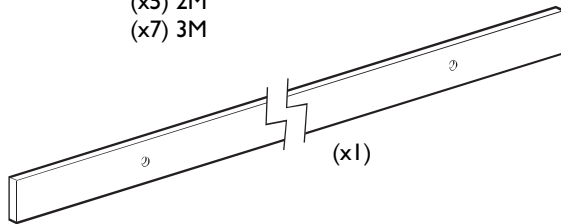
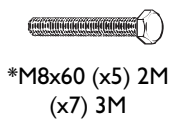
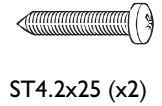
Tools Required



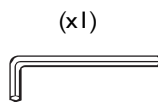
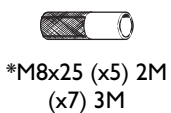
Contents of Kit



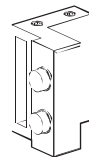
(x2)



(x2)



(x2)



(x2)

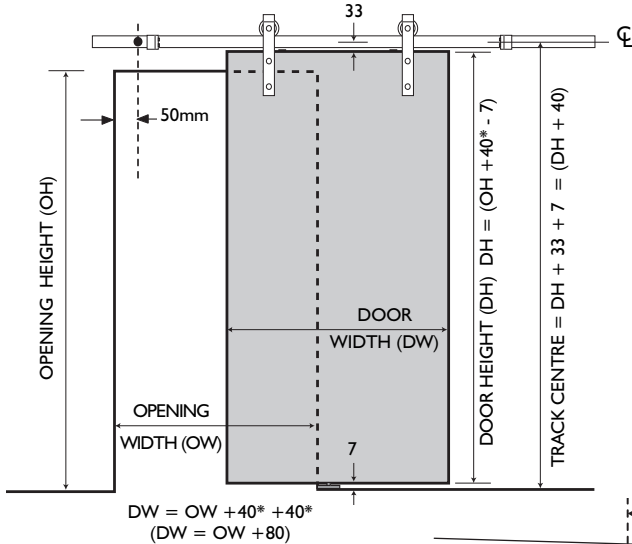


(x1)

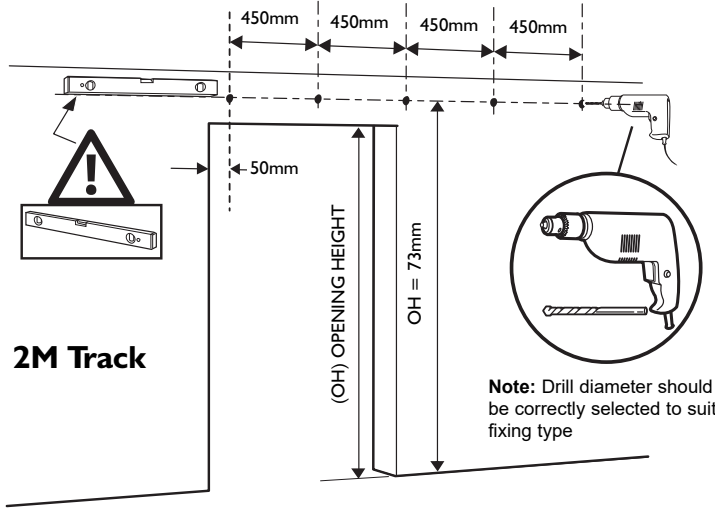


*Alternative track fixings provided - depending on wall type

I. Mark and drill fixing holes

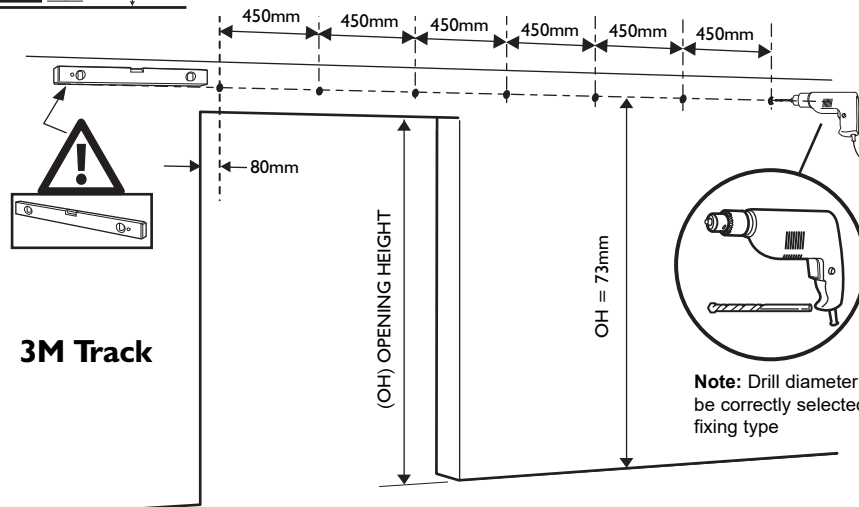


*PCH Suggests 40mm overlap of the door to the opening.



2M Track

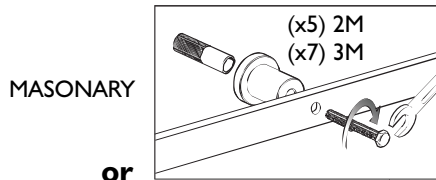
Note: Drill diameter should be correctly selected to suit fixing type



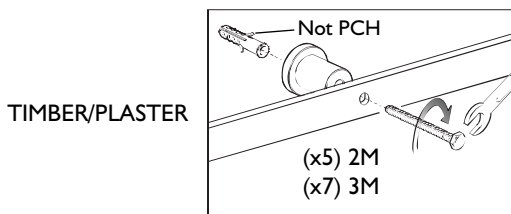
3M Track

Note: Drill diameter should be correctly selected to suit fixing type

2. Fix M8 screw inserts, spacers and track to wall

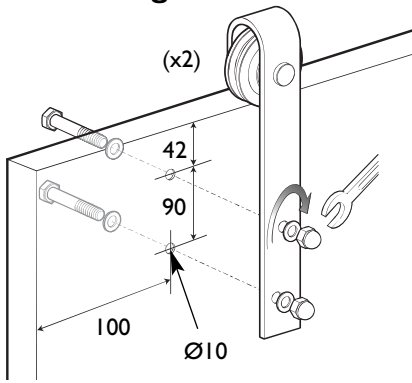


or

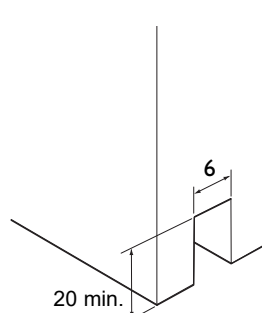


* It is the installers responsibility to ensure the correct fixing/wall insert is suitable to be used, depending on wall type/quality. The structure of the wall must also be able to take the weight of the door and system.

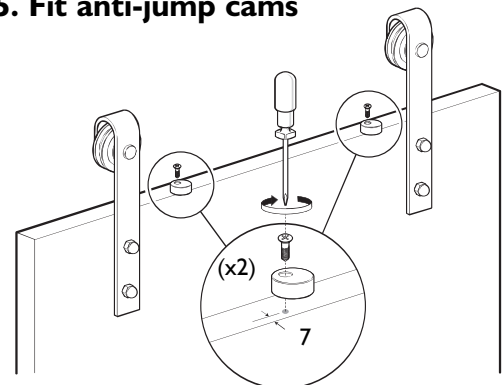
3. Fix hangers to door



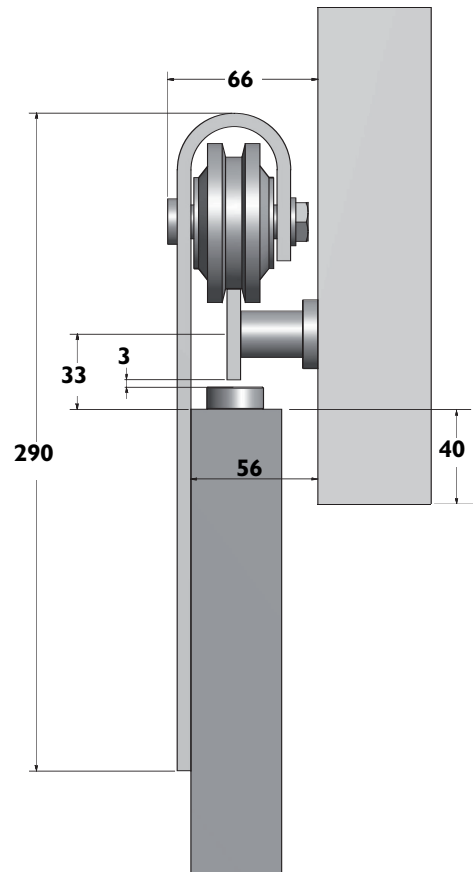
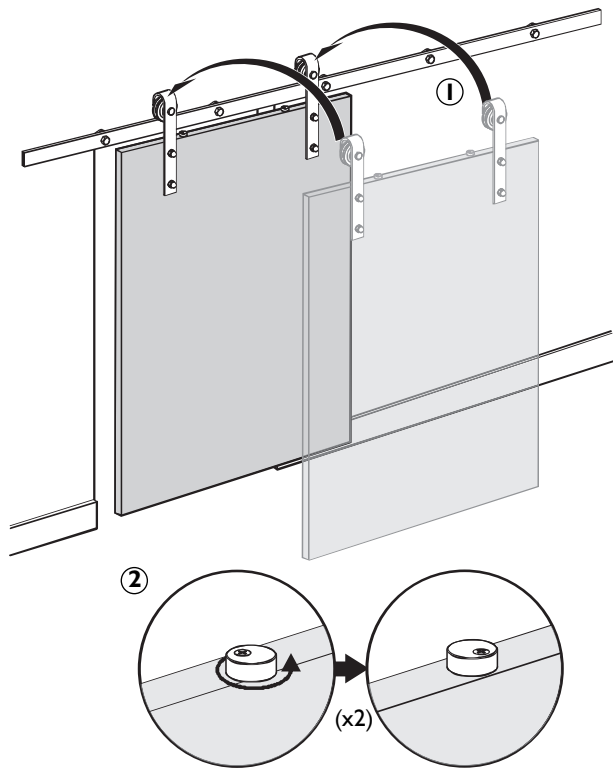
4. Floor guide routing detail



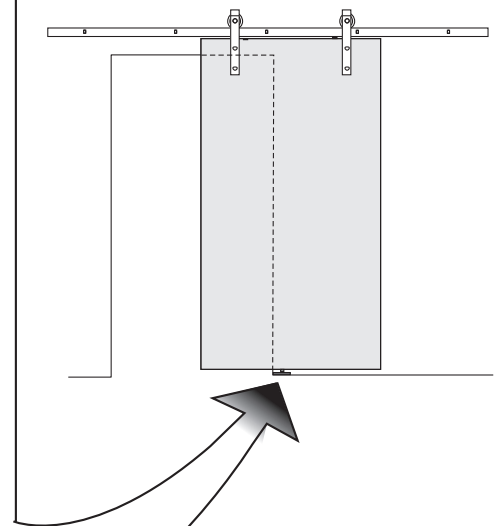
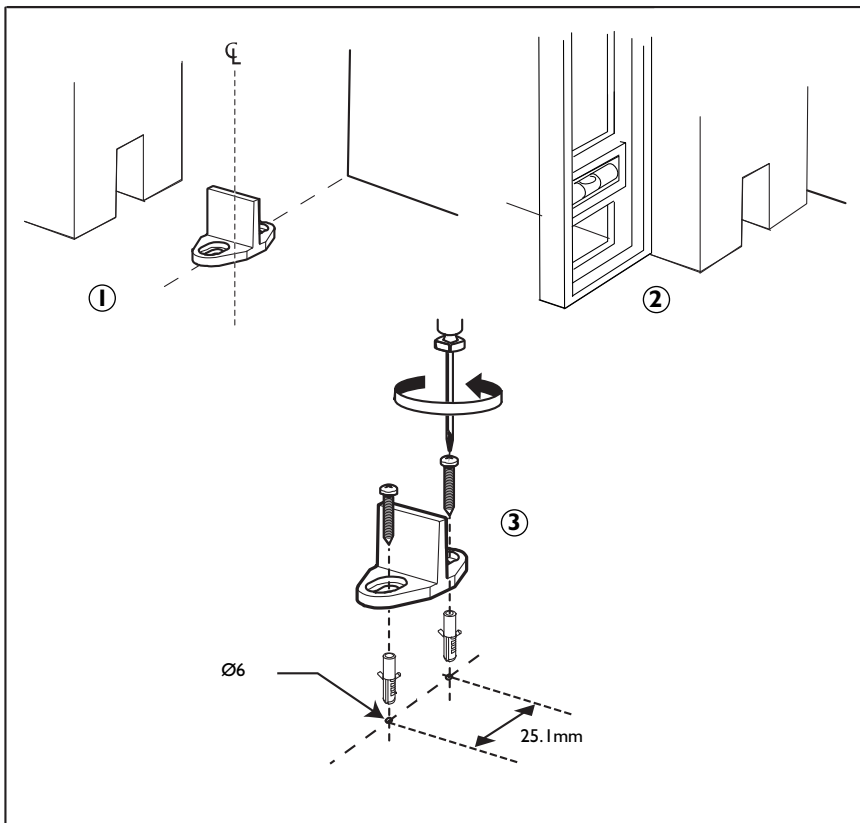
5. Fit anti-jump cams



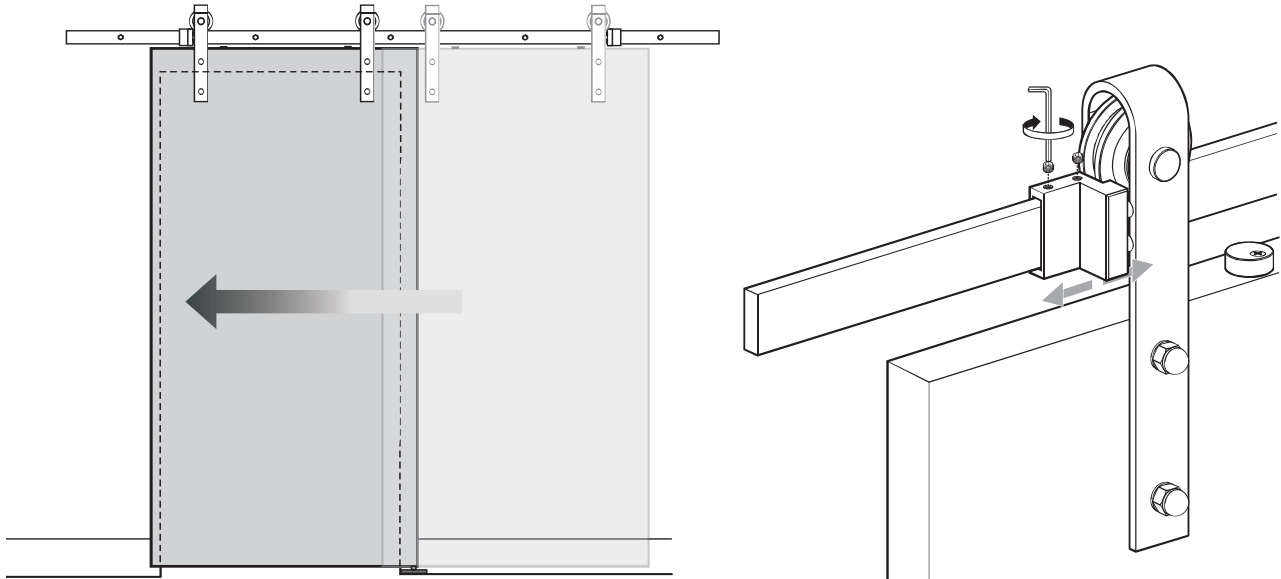
6. Hang door and adjust anti-just cams



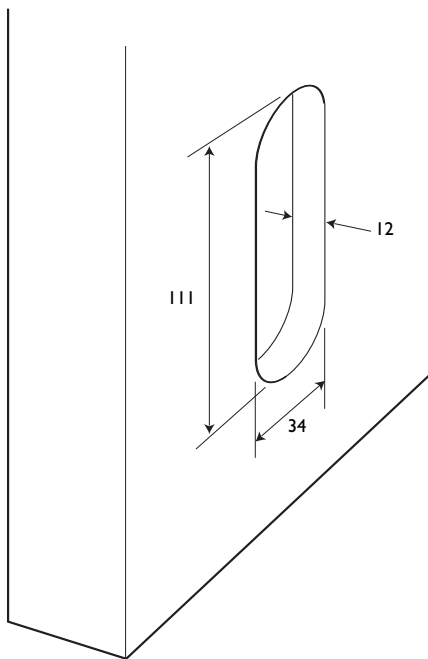
7. Fit floor guide



8. Fit and adjust door stops



9. Flush pull handle routing detail



10. Fit flush pull handle

