



Creative ceilings
for creative minds

OWAconsult® collection

OWA

OWAconsult® collection BY HADI TEHERANI



6 | Flexo



8 | Pix



10 | Oriental



12 | Trapeze



14 | Square



16 | Cloud



18 | OWAlight

OWAconsult® collection



22 | OWAplan



24 - 27 | Bamboo



28 | Chess



30 | Opus



32 | Frame



34 | Creaprint



36 | Stripe



38 | Excell



40 | Canto



42 | Curve



44 | Selecta



46 | Vela



48 | Lega



50 | Para



52 | Baffle



54 | Unit



56 | Wallboard



58 | Free space



60 | Slim



62 | Art



64 | OWAAlumino



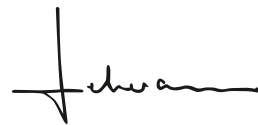
66 | Star



Creative ceilings for creative minds

OWAconsult® collection

BY HADI TEHERANI



“More creativity and freedom of thought when designing a ceiling”, that was the objective of our collaboration with the renowned international architect and product designer Hadi Teherani. With the fusion of intuitive design, the latest LED lighting technology and our manufacturing expertise, we have created an exciting range that transcends the visual expectations of a “normal” suspended ceiling. Combine these exciting designs with integration of services, sound absorption, fire resistance, sound attenuation and humidity resistance, the performance characteristics you would expect from OWA, and you arrive at “OWAconsult® collection”. To ensure a trouble free installation you can also call on the help of our OWAconsult specialists who are there to provide assistance every step of the way through your project, from design to completion, from concept to reality.

Flexo



Flexo 1



Flexo 2

Flexo 3

Flexo 4

Flexo – mineral tiles

All edges **15**

	Length	Width	Thickness	Units per pack	α_w /NRC	Price	Del. Cat.
Flexo 1	600 mm	600 mm	15 mm	10	0.85	17,40 €/m²	D
Flexo 2	1200 mm	300 mm	15 mm	10	0.70	20,95 €/m²	D
Flexo 3	1200 mm	600 mm	15 mm	8	0.85	17,40 €/m²	D
Flexo 4	1200 mm	1200 mm	20 mm	6	0.85	37,60 €/m²	D

Flexo 4 site applied reinforcing spline must be used.

Flexo 1-4 is also available in edge 15b (without extra costs). Thereto, please use the system S 15b CONSULT (limited combination possibilities).

Guide price for the complete system: 23,90 €/m² (600 x 600 mm)

Flexo LED – integrated lighting

	Length	Width	Height	Rating	Performance	Ballast unit	Units per pack	Price	Del. Cat.
Flexo LED 1	600 mm	600 mm	80 mm	IP 20	76 W	LED drivers	1	435,00 €/pce	D
Flexo LED 2	1200 mm	300 mm	80 mm	IP 20	76 W	LED drivers	1	435,00 €/pce	D
Flexo LED 1 A*	600 mm	600 mm	85 mm	IP 20	54 W	LED drivers	1	390,00 €/pce	D
LINECT unit	Package for power supply for Flexo LED 1 and 2						1	25,50 €/pce	D

Flexo LED 1 and 2: Colour 4000 K, neutral white, includes bulbs, frameless

* Flexo LED 1 A: Colour 4000 K, neutral white, includes bulbs, with visible frame, suitable only for System S 15b CONSULT

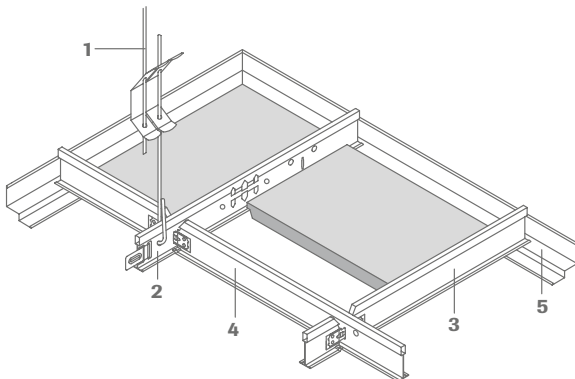


S 15a cliq – suspension system

	Product no.	Product / component description	Units per pack	Price
1	12/30/2	Adjustable hanger with double tension springs diameter: 4 mm, maximum load: 0.25 kN max. range of extension: 270 mm, a wire overhang of at least 15 mm must be provided	100 pieces	0,31 €/pce
2	cliq-15-MR	Main tee height: 38 mm, width: 15 mm, length: 3000 mm, visible side: white	20 pieces	1,89 €/m
3	cliq-15-CT	Cross tee, joggled height: 38 mm, width: 15 mm length: 300 mm, visible side: white length: 600 mm, visible side: white	60 pieces 60 pieces	1,07 €/pce 1,89 €/m
4	cliq-15-CT	Cross tee, joggled height: 38 mm, width: 15 mm, length: 1200 mm, visible side: white	60 pieces	1,89 €/m
5	50/15G	Shadow wall angle height: 33 mm, visible width: 15 mm, total width: 30 mm, length: 3050 mm, visible side: white	35 pieces	2,26 €/m
	8040	Reinforcing spline 1189 mm, zinc galvanized	25 pieces	1,76 €/m
	8041	Fixing clip for no. 8040 (8 pieces per tile)	250 pieces	0,22 €/pce
	42/15	Contura-blocks, height: 8 mm, width: 15 mm, total width: 24 mm, white	100 pieces	0,24 €/pce

Bottom edge guide price per m² of ceiling: 6,50 €/m² (600 x 600 mm)

These are average price indications. Please contact your local OWA Representative or our Export Team in order to get your personal quotation.



Creative shapes and sizes

Flexo *flexo*

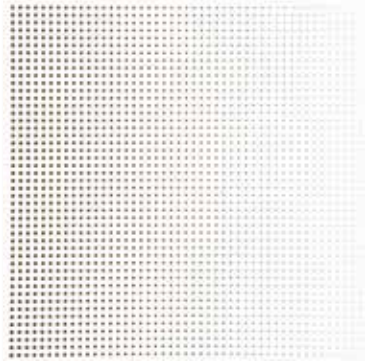
The attractive, minimalistic appearance of Flexo is available in four module options, 600 x 600 mm, 1200 x 300 mm, 1200 x 600 mm and 1200 x 1200 mm. Installed as a single or multiple module design, Flexo can be combined with energy efficient Flexo LED lights to provide the designer with the freedom to create a ceiling and lighting solution for most interior spaces.



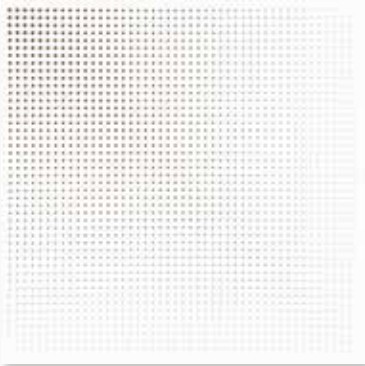
Pix



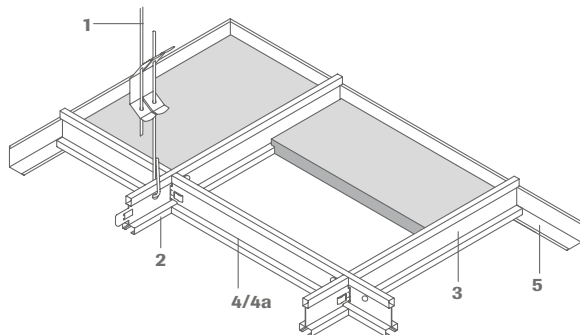
Pix 1



Pix 2



Pix 3



Pix – mineral tiles

All edges **15b**

	Length	Width	Thickness	Units per pack	α_w /NRC	Price	Del. Cat.
Pix 1	600 mm	600 mm	15 mm	10	0.85	60,70 €/m²	D
**	1200 mm	600 mm	15 mm	8	0.85	60,70 €/m²	D
**	1200 mm	1200 mm	20 mm	6	0.85	77,20 €/m²	D
Pix 2	600 mm	600 mm	15 mm	10	0.85	60,70 €/m²	D
**	1200 mm	1200 mm	20 mm	6	0.85	77,20 €/m²	D
Pix 3	600 mm	600 mm	15 mm	10	0.85	60,70 €/m²	D
**	1200 mm	1200 mm	20 mm	6	0.85	77,20 €/m²	D

**Site applied reinforcing spline must be used.

Guide price for the complete system: 74,30 €/m² (600 x 600 mm)

S 15b CONSULT – suspension system

	Product no.	Product / component description	Units per pack	Price
1	12/30/2	Adjustable hanger with double tension springs diameter: 4 mm, maximum load: 0.25 kN max. range of extension: 270 mm, a wire overhang of at least 15 mm must be provided	100 pieces	0,31 €/pce
2	3500CON	Main tee height: 41 mm, width: 14.3 mm, length: 3600 mm, cross tee slots at 600 mm centres, exterior: white, recess: white	20 pieces	4,01 €/m
2	3501CON	Main tee height: 41 mm, width: 14.3 mm, length: 3600 mm, cross tee slots at 1200 mm centres, exterior: white, recess: white	20 pieces	4,01 €/m
3	3512CON	Cross tee height: 41 mm, width: 14.3 mm, length: 600 mm exterior: white, recess: white	70 pieces	4,01 €/m
4	3514CON	Cross tee height: 41 mm, width: 14.3 mm, length: 1200 mm exterior: white, recess: white, with central cross tee slot	40 pieces	4,01 €/m
4	3514CON S*	Cross tee height: 41 mm, width: 14.3 mm, length: 1200 mm exterior: white, recess: white, with one-sided slot	40 pieces	4,56 €/m
4a	3524CON	Cross tee height: 41 mm, width: 14.3 mm, length: 1200 mm exterior: white, recess: white, without central cross tee slot	40 pieces	4,01 €/m
5	51/32G	Wall angle height: 32 mm, width: 19 mm, length: 3000 mm, visible side: white	30 pieces	1,34 €/m
5	1456	Wall angle height: 32 mm, width: 15 mm, length: 3050 mm, upstand: 7.5 mm, visible side: white	32 pieces	1,95 €/m
	8040	Reinforcing spline 1189 mm, zinc galvanized	25 pieces	1,76 €/m
	8041	Fixing clip for no. 8040 (8 pieces per tile)	250 pieces	0,22 €/pce

Can be combined with OWAlight, page 18. Cross tees with slot/cut out on one side only are also available.

Bottom edge guide price per m² of ceiling: 13,60 €/m² (600 x 600 mm)

*set-up charges 110,00 €/on demand

Making your point

Pix *Iluminati*

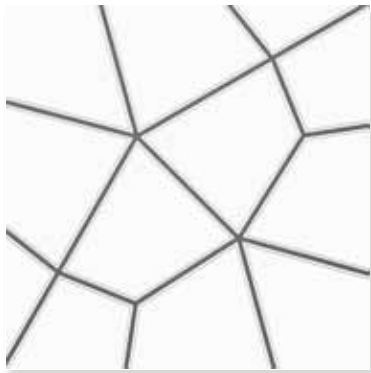
A fresh design approach has resulted in Pix, a visual recreation of the original acoustic ceiling tile but with many added benefits. Offering improved acoustic performance and a number of variations, Pix provides the visual contradiction of perforations on an un-perforated surface, but unlike the original design it is available in a number of variations including "holes" in a range of colours! Installed in conjunction with Sinfonia, Pix can be used to create notional zones within a room or just a sophisticated visual effect, especially when combined with our integrated linear OWAlight.



Oriental



600 x 600 mm



1200 x 1200 mm

Oriental – mineral tiles

All edges 15b

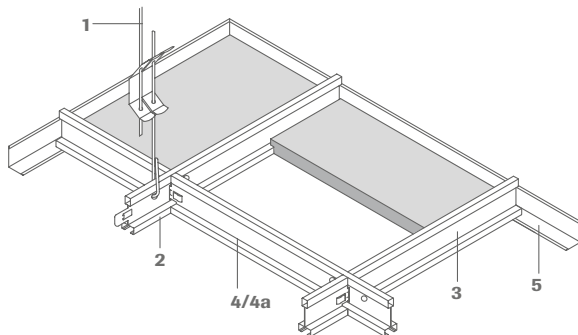
Length	Width	Thickness	Units per pack	α_w /NRC	Price	Del. Cat.
600 mm	600 mm	15 mm	10	0.85	60,70 €/m²	D
1200 mm	1200 mm	20 mm	6	0.85	77,20 €/m²	D

Guide price for the complete system: 74,30 €/m² (600 x 600 mm)



S 15b CONSULT – suspension system

	Product no.	Product / component description	Units per pack	Price
1	12/30/2	Adjustable hanger with double tension springs diameter: 4 mm, maximum load: 0.25 kN max. range of extension: 270 mm, a wire overhang of at least 15 mm must be provided	100 pieces	0,31 €/pce
2	3500CON	Main tee height: 41 mm, width: 14.3 mm, length: 3600 mm, cross tee slots at 600 mm centres, exterior: white, recess: white	20 pieces	4,01 €/m
2	3501CON	Main tee height: 41 mm, width: 14.3 mm, length: 3600 mm, cross tee slots at 1200 mm centres, exterior: white, recess: white	20 pieces	4,01 €/m
3	3512CON	Cross tee height: 41 mm, width: 14.3 mm, length: 600 mm exterior: white, recess: white	70 pieces	4,01 €/m
4	3514CON	Cross tee height: 41 mm, width: 14.3 mm, length: 1200 mm exterior: white, recess: white, with central cross tee slot	40 pieces	4,01 €/m
4a	3524CON	Cross tee height: 41 mm, width: 14.3 mm, length: 1200 mm exterior: white, recess: white, without central cross tee slot	40 pieces	4,01 €/m
5	51/32G	Wall angle height: 32 mm, width: 19 mm, length: 3000 mm, visible side: white	30 pieces	1,34 €/m
5	1456	Wall angle height: 32 mm, width: 15 mm, length: 3050 mm, upstand: 7.5 mm, visible side: white	32 pieces	1,95 €/m
	8040	Reinforcing spline 1189 mm, zinc galvanized	25 pieces	1,76 €/m
	8041	Fixing clip for no. 8040 (8 pieces per tile)	250 pieces	0,22 €/pce



Can be combined with OWAlight, page 18. Cross tees with slot/cut out on one side only are also available.

Bottom edge guide price per m² of ceiling: 13,60 €/m² (600 x 600 mm)

These are average price indications. Please contact your local OWA Representative or our Export Team in order to get your personal quotation.

Distinction in design

Oriental *flexo*

Oriental provides a bold, geometric, interlocking design that encompasses the practical, square ceiling grid within its own identity and enables the installation of modular service elements such as Flexo LED lights where required. Oriental's striking appearance can be illuminated even more with the inclusion of OWAlights, the integrated linear LED's that disappear or appear at the flick of a switch.

Trapeze



Trapeze 1



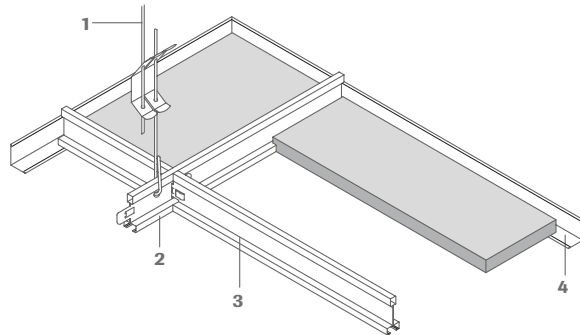
Trapeze 2



Trapeze LED



Trapeze 4



Trapeze – mineral tiles

All edges

15b

10

	Length	Width	Thickness	Units per pack	α_w /NRC	Price	Del. Cat.
Trapeze 1	1200 mm	400 / 200 mm	20 mm	16	0.70	60,80 €/m²	D
Trapeze 2	1200 mm	600 mm	20 mm	8	0.70	49,50 €/m²	D
Trapeze 4	1200 mm	600 mm	20 mm	8	0.70	49,50 €/m²	D

Guide price for the complete system: 59,70 €/m² (1200 x 600 mm)

Trapeze LED – integrated lighting

	Length	Width	Height	Rating	Performance	Ballast unit	Units per pack	Price	Del. Cat.
Trapeze LED	1200 mm	400 / 200 mm	80 mm	IP 20	72 W	LED drivers	1	670,00 €/pce	D
Trapeze LED A	1200 mm	400 / 200 mm	85 mm	IP 20	64 W	LED drivers	1	410,00 €/pce	D
LINECT unit	Package for power supply for Trapeze LED						1	25,50 €/pce	D
L profile	1190 mm, 10 x 8 mm, white RAL 9010 mat for Trapeze 1 using Trapeze LED						1	9,90 €/pce	D

Trapeze LED: Colour 4000 K, neutral white, includes bulbs, frameless

Trapeze LED A: Colour 4000 K, neutral white, includes bulbs, with visible frame, suitable only for S 15b CONSULT



S 15b CONSULT – suspension system

	Product no.	Product / component description	Units per pack	Price
1	12/30/2	Adjustable hanger with double tension springs diameter: 4 mm, maximum load: 0.25 kN max. range of extension: 270 mm, a wire overhang of at least 15 mm must be provided	100 pieces	0,31 €/pce
2	3500CON	Main tee height: 41 mm, width: 14.3 mm, length: 3600 mm, cross tee slot at 600mm centres exterior: white, recess: white	20 pieces	4,01 €/m
3	3524CON	Cross tee height: 41 mm, width: 14.3 mm, length: 1200 mm exterior: white, recess: white, without central cross tee slot	40 pieces	4,01 €/m
5	51/32G	Wall angle height: 32 mm, width: 19 mm, length: 3000 mm, visible side: white	30 pieces	1,34 €/m
4	1456	Wall angle height: 32 mm, width: 15 mm, length: 3050 mm, upstand: 7.5 mm, visible side: white	32 pieces	1,95 €/m
	37	L profile for Trapeze 1 length: 1250 mm, trim onsite	50 pieces	1,34 €/m

Can be combined with OWAlight, page 18.

Bottom edge guide price per m² of ceiling: 10,20 €/m² (1200 x 600 mm)

These are average price indications. Please contact your local OWA Representative or our Export Team in order to get your personal quotation.

A revolution in ceiling design

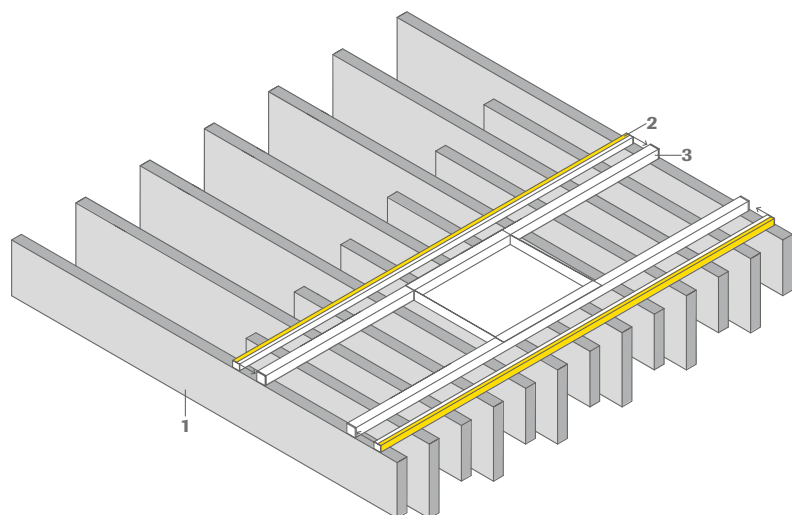
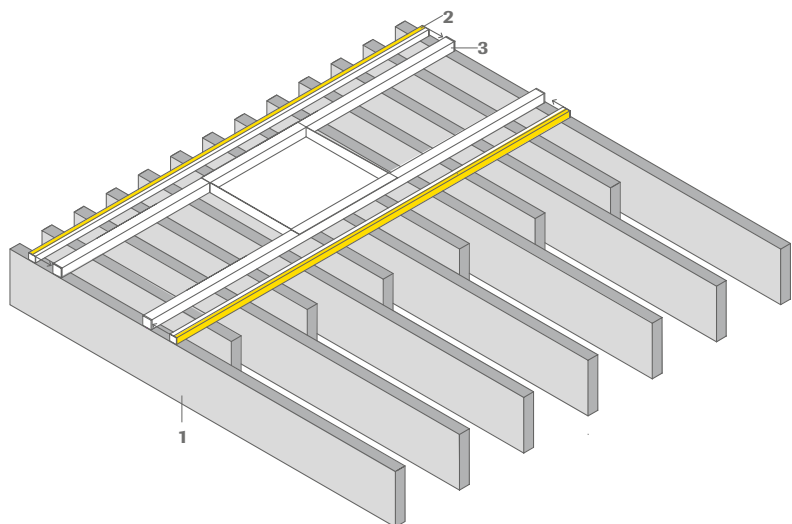
Trapeze

felici

Creating an inspired design with integrated lighting, acoustic performance and aesthetics all in one ceiling can only be the result of inspired design and lateral thinking. With its delicate diagonal and perpendicular lines emphasized by the soft complementary, energy efficient Trapeze LED, this design offers a subtle visual interest that can be made even more striking by the inclusion and skilful placing of OWAlights, the integrated linear LED's that disappear or appear at the flick of a switch.



Square



1 Square – baffle tile package

All edges 3

Length	Height	Thickness	Units per pack	α_w /NRC	Price	Del. Cat.
1200 mm	150 mm	30 mm	7	0.65	Package price 469,00 €	D
830 mm	200 mm	30 mm	1	0.65		
780 mm	200 mm	30 mm	1	0.65		
730 mm	200 mm	30 mm	1	0.65		
675 mm	200 mm	30 mm	1	0.65		
620 mm	200 mm	30 mm	1	0.65		
570 mm	200 mm	30 mm	1	0.65		

Package content: 7 pieces, length: 1200 mm, 1 piece each of the shorter length; total number of baffles per package: 13 pieces, Sinfonia tile surface
Guide price for the complete system Square 1230 x 1200 mm: 611,00 €/pce

2 Square LED – light package – optional

Length	Width	Height	Rating	Performance	Ballast unit	Units per pack	Price	Del. Cat.
1160 mm	18 mm	21 mm	IP 20	7.4 W/m	LED drivers	1	265,00 €/pce	D

Package contains: 2 LED profiles, incl. the necessary cabling, 4 fastening clips, LED driver, light colour neutral white 4000 K, blue, red, green, RGB fittings available at additional cost.

The LED profiles (2) are fastened to the square profiles of the Square design package (3) using the included fastening clips. Pass the ready-made cable through the square profile and connect it to the LED driver. The LED driver is placed on the body of the Square's hangar structure (3). Ask your electrical contractor to connect the Square to the power supply.

3 Square – construction package

Product / component description	Units per pack	Price	Del. Cat.
Square profile 25 x 25 x 2.0 mm, length: approx. 1220 mm, colour: white, fully assembled with connector bar	2 pieces	Package price 142,00 €	D
Connector bar 305 x 200 x 1.0 mm, white	1 piece		
M 6 x 20 mm, galvanised, for baffle tiles	26 pieces		
End cap for C profile, plastic, colour: white, fully assembled with square profile	4 pieces		
Spacer sleeve M 6 x 25 mm, white for direct installation	4 pieces		
Fixing plug, \varnothing 11.6 mm, white, for square profile keyholes	26 pieces		
Threaded sleeve M 6 x 30 mm, for suspended installation	4 pieces		
M 6 x 15 mm, galvanised, for suspended installation	4 pieces		

See brochure no. 1020 e Cloud and Square

These are average price indications. Please contact your local OWA Representative or our Export Team in order to get your personal quotation.

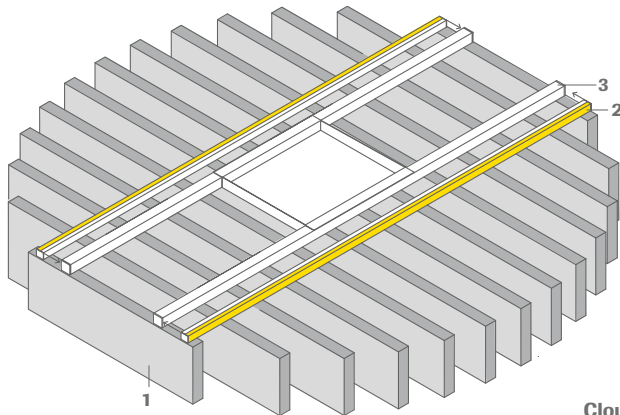
Out in the open

Square *Johanni*

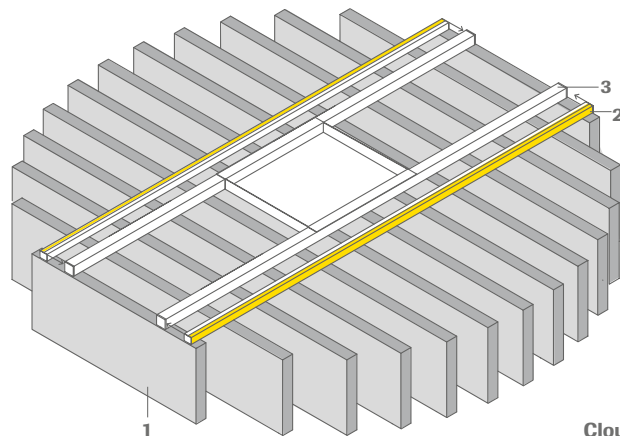
The floating "Square" is constructed using 13 vertical baffles in two depths and six lengths suspended together in a single block. "Square" can be used to optimize acoustics in spaces or projects where thermal mass is an integral part of the building design or where the client requires a different visual effect. By combining several "Squares" or including the "Square" LED linear light package a variety of different visual effects can be created.



Cloud



Cloud 150



Cloud 200

1 Cloud 150 – baffle tile package

All edges **3**

Length	Height	Thickness	Units per pack	α_w /NRC	Price	Del. Cat.
1295 mm	150 mm	30 mm	1	0.65	Package price 469,00 €	D
1280 mm	150 mm	30 mm	2	0.65		
1230 mm	150 mm	30 mm	2	0.65		
1150 mm	150 mm	30 mm	2	0.65		
1020 mm	150 mm	30 mm	2	0.65		
825 mm	150 mm	30 mm	2	0.65		
500 mm	150 mm	30 mm	2	0.65		

1 Cloud 200 – baffle tile package

All edges **3**

Length	Height	Thickness	Units per pack	α_w /NRC	Price	Del. Cat.
1295 mm	200 mm	30 mm	1	0.65	Package price 469,00 €	D
1280 mm	200 mm	30 mm	2	0.65		
1230 mm	200 mm	30 mm	2	0.65		
1150 mm	200 mm	30 mm	2	0.65		
1020 mm	200 mm	30 mm	2	0.65		
825 mm	200 mm	30 mm	2	0.65		
500 mm	200 mm	30 mm	2	0.65		

Total number of baffles per package: 13 pieces, Sinfonia tile surface

Complete system guide price for Cloud Ø 1320 mm, height 150 mm: 611,00 €/piece

2 Cloud LED – light package – optional

Length	Width	Height	Rating	Performance	Ballast unit	Units per pack	Price	Del. Cat.
1160 mm	18 mm	21 mm	IP 20	7.4 W/m	LED drivers	1	265,00 €/pce	D

Package contains: 2 LED profiles, incl. the necessary cabling, 4 fastening clips, LED driver, light colour neutral white 4000 K, blue, red, green, RGB fittings available at additional cost.

The LED profiles (2) are fastened to the square profiles of the Cloud construction package (3) using the included fastening clips. Pass the ready-made cable through the square profile and connect it to the LED driver. The LED driver is placed on the body of the Cloud's hangar structure (3). Ask your electrical contractor to connect the Square to the power supply.

3 Cloud – construction package

Product / component description	Units per pack	Price	Del. Cat.
Square profile 25 x 25 x 2.0 mm, length: approx. 1220 mm, colour: white, fully assembled with connector bar	2 pieces	Package price 142,00 €	D
Connector bar 305 x 200 x 1.0 mm, white	1 piece		
M 6 x 20 mm, galvanised, for baffle tiles	26 pieces		
End cap for C profile, plastic, colour: white, fully assembled with square profile	4 pieces		
Spacer sleeve M 6 x 25 mm, white for direct installation	4 pieces		
Fixing plug, ø 11.6 mm, white, for square profile keyholes	26 pieces		
Threaded sleeve M 6 x 30 mm, for suspended installation	4 pieces		
M 6 x 15 mm, galvanised, for suspended installation	4 pieces		

See brochure no. 1020 e Cloud and Square

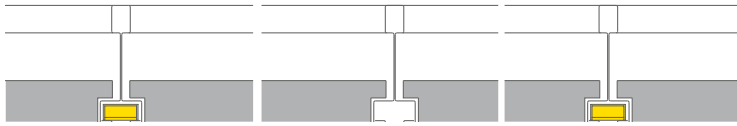
These are average price indications. Please contact your local OWA Representative or our Export Team in order to get your personal quotation.

Every Cloud has a silver lining

Cloud *Juwan*

Cloud baffle kits are available in two versions, Cloud 150 and Cloud 200. They each comprise a set number of vertical baffles suspended together to form a simple, round shape on the ceiling. When installed together they can be overlapped, allowing you to create a Cloud formation. For a more dramatic effect, add the Cloud LED package and create rays of sunshine or your very own weather front. When used in projects utilising thermal mass they can also be a major contributor to the acoustic comfort of the internal environment.

OWAlight



OWAlight – LED cross tees for S 15b CONSULT

	Product / component description	Units per pack	Price	Del. Cat.
6	OWAlight 1 LED cross tee, Cross tee, length: 600 mm, height: 41 mm, width: 14.3 mm, white exterior, interior: LED light band over a length of 600 mm, rails delivered ready to plug in, cable length 1200 mm	1	89,00 €/pce	D
4	OWAlight 2 LED cross tee, Cross tee, length: 1200 mm, height: 41 mm, width: 14.3 mm, white exterior, with central cross tee slot, interior: LED light band over a length of 600 mm, rails delivered ready to plug in, cable length 1200 mm	1	89,00 €/pce	D
4	OWAlight 3 LED cross tee, Cross tee, length 1200 mm, height: 41 mm, width: 14.3 mm, white exterior, with central cross tee slot, interior: LED light band over a length of 1200 mm, rails delivered ready to plug in, cable length 1200 mm	1	146,00 €/pce	D
4a	OWAlight 3a LED cross tee, Cross tee, length 1200 mm, height: 41 mm, width: 14.3 mm, white exterior, without central cross tee slot, interior: LED light band over a length of 1200 mm, rails delivered ready to plug in, cable length 1200 mm	1	146,00 €/pce	D
	Transformer for LED cross tees with connection for multiple plugs, 150 W	1	136,00 €/pce	D
	Transformer for LED cross tees with connection for multiple plugs, 240 W	1	182,00 €/pce	D
	6 x multiple plug, delivered ready to plug in	1	12,00 €/pce	D
	Extension cable with plug and socket, length: 2000 mm	1	8,00 €/pce	D

OWAlight “LED” cross tees produce neutral white light (4000K). Easily connected to the transformer they form part of the suspension system S15b CONSULT and can be used to form linear, parallel, rectangular or square patterns by replacing standard cross tee No’s 3514CON, 3524CON and /or 3512CON. Based on anticipated room usage, dimensions, décor, building orientation and available natural daylight the OWAconsult team can, where required, provide lighting calculations and layout plans. Colour 4000 K, neutral white

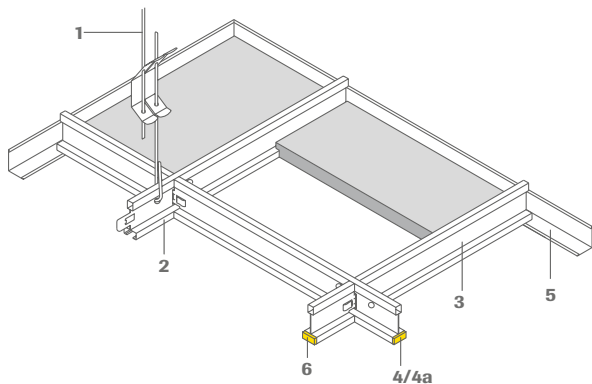
N.B. OWAlight cross tees are suitable for use with components 3500CON, 3512CON, 3514CON and 3524CON and should only be used with the system components shown below. The suitability of fitting OWAlights into an existing OWAline S15b system should be confirmed with the OWAconsult team prior to purchase or installation.”



S 15b CONSULT – suspension system

	Product no.	Product / component description	Units per pack	Price
1	12/30/2	Adjustable hanger with double tension springs diameter: 4 mm, maximum load: 0.25 kN max. range of extension: 270 mm, a wire overhang of at least 15 mm must be provided	100 pieces	0,31 €/pce
2	3500CON	Main tee height: 41 mm, width: 14.3 mm, length: 3600 mm, cross tee slots at 600 mm centres exterior: white, recess: white	20 pieces	4,01 €/m
2	3501CON	Main tee height: 41 mm, width: 14.3 mm, length: 3600 mm, cross tee slots at 1200 mm centres exterior: white, recess: white		
3	3512CON	Cross tee, height: 41 mm, width: 14.3 mm, length: 600 mm exterior: white, recess: white	70 pieces	4,01 €/m
3	3514CON	Cross tee, height: 41 mm, width: 14.3 mm, length: 1200 mm exterior: white, recess: white, with central cross tee slot	40 pieces	4,01 €/m
3	3514CON S*	Cross tee, height: 41 mm, width: 14.3 mm, length: 1200 mm exterior: white, recess: white, with one-sided pecesscut	40 pieces	4,56 €/m
3	3524CON	Cross tee, height: 41 mm, width: 14.3 mm, length: 1200 mm exterior: white, recess: white, without central cross tee slot	40 pieces	4,01 €/m
5	51/32G	Wall angle height: 32 mm, width: 19 mm, length: 3000 mm, visible side: white	30 pieces	1,34 €/m
5	1456	Wall angle height: 32 mm, width: 15 mm, length: 3050 mm, upstand: 7.5 mm, visible side: white	32 pieces	1,95 €/m

Bottom edge guide price per m² of ceiling: 13,60 €/m² (600 x 600 mm) | *set-up charges 110,00 €/on demand
These are average price indications. Please contact your local OWA Representative or our Export Team in order to get your personal quotation.



The art of light

OWAlight *Juliani*

Integrated into special S 15b CONSULT cross tees, OWAlights are installed as part of the standard ceiling grid and can appear or disappear at the flick of a switch. Available in 1200 mm or 600 mm lengths they are invisible when turned off, but tuned on, they can be used to illuminate, emphasise and create a totally different ambiance for the room.



Exciting innovation

OWAconsult® collection

In addition to our collaboration with Hadi Teherani, OWAconsult® has a continuous programme of research and development headed up by our own team of architects, acousticians, designers and technical personnel. Our continuing mission is to develop exciting products that combine product performance, aesthetics, practical application, environmental awareness and reflect the requirements of tomorrow's ceilings today.

OWAplan



Plaster coating
Allegro M (in sacks)
Allegro S (in buckets)

Pre-coated
acoustic fleece

Plaster base tile

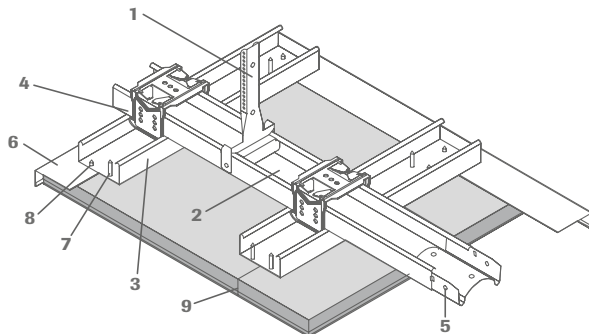
Installation overview

- Stagger joints when installing the base board
- Short edges of base boards should run parallel with window or any incidental light source
- Board screws (no. 2007) must be countersunk below the surface of the base boards
- At all board joints, glue boards flat and level using OWA adhesive no. 99/24
- Remove all excess adhesive before it sets (within 15 minutes of application). Do not smear over surface of board. To prevent surface damage removal or sanding of excessive adhesive after it has set should be avoided.
- Board joints are to be lightly sanded using Giraffe sander with 100 grit discs – do not over sand or create indentations in the surface of the boards. Finishing should be performed by company spraying the boards.

More information can be found in the Installation Guide and OWAplan S 7 leaflet.

Training courses

Onsite training courses are available for companies installing the base ceiling and those spraying the finishing material.



OWAplan – mineral tiles, embossed and needle-punched

All edges **3p OWA**

Length	Width	Thickness	Units per pack	α_w /NRC	Price	Del. Cat.
1200 mm	800 mm	20 mm	6	0.60/0.65	30,50 €/m²	B
2400 mm	1200 mm	20 mm	30*	0.60/0.65	30,50 €/m²	B

OWAplan – mineral tiles, non-embossed and non-needle-punched

All edges **3p OWA**

Length	Width	Thickness	Units per pack	α_w /NRC	Price	Del. Cat.
1200 mm	800 mm	20 mm	6	0.10/0.10	31,10 €/m²	D
2400 mm	1200 mm	20 mm	30*	0.10/0.10	31,10 €/m²	D

Folding tiles for canopies

All edges **3p OWA**

Length	Width	Thickness	Units per pack	α_w /NRC	Price	Del. Cat.
1200 mm	300 x 100 mm	20 mm	12	0.60/0.65	26,40 €/pce	B

* on one pallet | **Bottom edge and tile guide price: 42,10 €/m² | Complete system guide price, incl. Allegro M, white, acoustic plaster material: 53,70 €/m² or white Allegro S: 55,10 €/m²**



S 7 OWAplan – suspension system

Product no.	Product / component description	Units per pack	Price
1	2001*1 Lower nonius hanger for primary CD profile 60 x 27 mm, length: 130 mm, maximum load: 0.40 kN, galv.	100 pieces	0,63 €/pce
	76 Safety pin for Nonius hanger, length: approx. 70 mm, thickness 3 mm, galvanised	100 pieces	0,10 €/pce
	2002 Adjustable direct hanger, adjustment range: 30 – 75 mm, galvanised, incl. 2 Safety pins	100 pieces	1,21 €/pce
2	2003 Primary CD profile 60 x 27 mm, length: 4000 mm, support grid spacing 1000 mm	12 pieces	2,09 €/m
3	2003 Secondary CD profile 60 x 27 mm, length: 4000 mm, support grid spacing 400 mm	12 pieces	2,09 €/m
4	2004 Cross connector, height: 40 mm, width: 60 mm, depth: 45 mm, galvanised	100 pieces	0,39 €/pce
5	2005 CD profile connector, height: 25 mm, width: 60 mm, length: 80 mm, galvanised	100 pieces	0,26 €/pce
6	51/22 Wall angle, height: 50 mm, width: 22 mm, thickness: 0.7 mm, length: 3000 mm, visible side: white	10 pieces	5,47 €/m
7	2007 Screws	1000 pieces	0,04 €/pce
8	2008 Screws for no. 51/22	bulk-packed	0,11 €/pce
9	2014 Glue, filling paste grey, 310 ml cartridge	12 pieces	6,14 €/pce
9	99/24 Glue for fire protection and folding tiles, 310 ml cartridge	12 pieces	6,14 €/pce
	8031/4 Comfort access trap for OWAplan ceilings 340 x 340 mm (external dimension) Attention: additional suspension required (see OWAplan Comfort access trap installation guide)	bulk-packed	179,66 €/pce
	8031/5 Comfort access trap for OWAplan ceilings 540 x 540 mm (external dimension) Attention: additional suspension required (see OWAplan Comfort access trap installation guide)	bulk-packed	193,26 €/pce
	8069/6 Pattress for OWAplan consisting of frame components (2 pieces), length: 340 mm	bulk-packed	34,28 €/pce
	4437 Fire resistant tape 12 x 1.5 mm (where fire resistance is required)	25 m roll	3,30 €/m

Material specifications: Any stated performance levels are based on the installation of a complete ceiling kit as shown here or in the relevant test report. Substitution of any component or failure to install the ceiling in accordance with our recommendations will invalidate any warranty and may adversely affect any anticipated performance levels.

*1 Extension no. 16/... see accessories list page 63 | **Bottom edge guide price per m² of ceiling: 11,60 €/m²**

These are average price indications. Please contact your local OWA Representative or our Export Team in order to get your personal quotation.

Accept no limits!

OWAplan

A combination of fire resistance, acoustic performance and a monolithic finish in one ceiling system: OWAplan S 7. Restaurants, entrance halls, museums, shopping malls, hotel foyers and even private houses - areas where technical performance can be as critical as the need for an elegant, minimalistic appearance. Sometimes colour is the key to achieving the ideal ambiance and OWAplan performs again! The choice is yours, black white or almost any RAL colour. OWAplan is available in a "fine" or "very fine" finish and has a reaction to fire classification (EN13501-1) of "A2-s1, d0" so can be used in public buildings, walkways and corridors. As well as complete ceilings and Island or rafts it can also be used to create plain margins around the perimeter in areas where modular suspended ceiling are installed (see the "Trapeze" picture on page 12).

Bamboo



Bamboo
natural colour
Constellation,
printed



Bamboo dark
regular perforated,
printed

Bamboo natural colour Constellation – mineral tiles



Length	Width	Thickness	Units per pack	α_w /NRC	Price	Del. Cat.
600 mm	600 mm	20 mm	8	0.70/0.65	46,20 €/m²	D
625 mm	625 mm	20 mm	8	0.70/0.65	46,20 €/m²	D

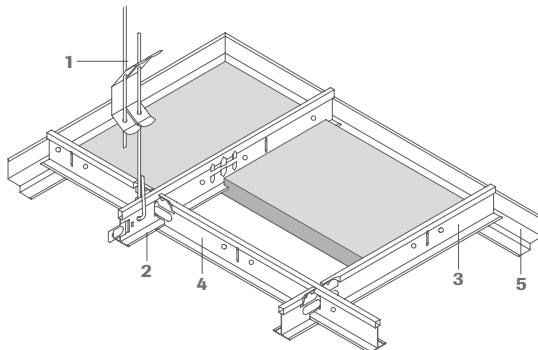
Bamboo dark regular perforated – mineral tiles



Length	Width	Thickness	Units per pack	α_w /NRC	Price	Del. Cat.
600 mm	600 mm	20 mm	8	0.55/0.60	48,70 €/m²	D
625 mm	625 mm	20 mm	8	0.55/0.60	48,70 €/m²	D



S 19 Teccor – suspension system



Product no.	Product / component description	Units per pack	Price
1	12/30/2 Adjustable hanger with double tension springs diameter: 4 mm, maximum load: 0.25 kN max. range of extension: 270 mm, a wire overhang of at least 15 mm must be provided	100 pieces	0,31 €/pce
2	45 Main tee height: 38 mm, width: 24 mm, length: 3700 mm/3750 mm visible side: white visible side: Bamboo natural colour/dark	25 pieces 25 pieces	1,80 €/m 2,99 €/m
3	46 Cross tee height: 32 mm, width: 24 mm, length: 600 mm/625 mm visible side: white visible side: Bamboo natural colour/dark	75 pieces 75 pieces	1,80 €/m 2,99 €/m
4	47 Cross tee height: 32 mm, width: 24 mm, length: 1200 mm/1250 mm visible side: white visible side: Bamboo natural colour/dark	50 pieces 50 pieces	1,80 €/m 2,99 €/m
5	50/19 Wall angle height: 38 mm, total width: 30 mm, visible width: 15 mm, length: 3050 mm visible side: white visible side: Bamboo natural colour/dark	35 pieces 35 pieces	2,36 €/m 3,75 €/m

Bottom edge guide price per m² of ceiling (visible side: white): 5,98 €/m² (625 x 625 mm); 6,24 €/m² (600 x 600 mm)

These are average price indications. Please contact your local OWA Representative or our Export Team in order to get your personal quotation.



Acoustics and natural designs

Bamboo

Using the natural design of Bamboo, we have created a ceiling with soft, wood tones and high levels of sound absorption that together provide a soothing and elegant environment.

Bamboo



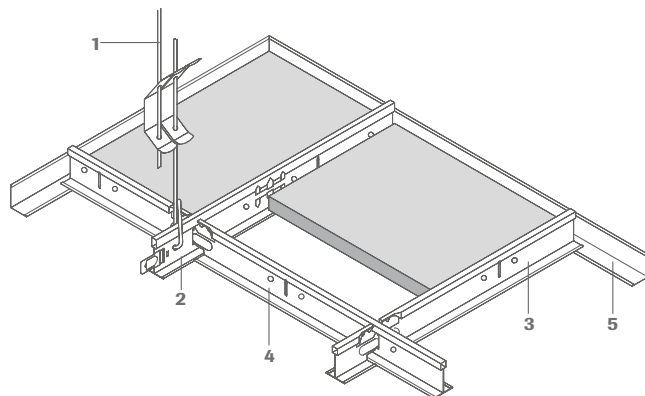
Bamboo natural colour Constellation,

Also available in Plain



Bamboo dark regular perforated,

Also available in Plain



Bamboo natural colour Constellation – mineral tiles

All edges **3**

Length	Width	Thickness	Units per pack	α_w /NRC	Price	Del. Cat.
600 mm	600 mm	15 mm	12	0.70/0.65	41,40 €/m²	D
625 mm	625 mm	15 mm	12	0.70/0.65	41,40 €/m²	D

Bamboo dark regular perforated – mineral tiles

All edges **3**

Length	Width	Thickness	Units per pack	α_w /NRC	Price	Del. Cat.
600 mm	600 mm	15 mm	12	0.55/0.60	48,50 €/m²	D
625 mm	625 mm	15 mm	12	0.55/0.60	48,50 €/m²	D

Bamboo natural colour/dark Plain – mineral tiles

All edges **3**

Length	Width	Thickness	Units per pack	α_w /NRC	Price	Del. Cat.
600 mm	600 mm	15 mm	12	0.15/0.15	43,60 €/m²	D
625 mm	625 mm	15 mm	12	0.15/0.15	43,60 €/m²	D



S 3 – suspension system

	Product no.	Product / component description	Units per pack	Price
1	12/30/2	Adjustable hanger with double tension springs diameter: 4 mm, maximum load: 0.25 kN max. range of extension: 270 mm, a wire overhang of at least 15 mm must be provided	100 pieces	0,31 €/pce
2	45	Main tee height: 38 mm, width: 24 mm, length: 3700 mm/3750 mm visible side: white visible side: Bamboo natural colour/dark	25 pieces 25 pieces	1,80 €/m 2,99 €/m
3	46	Cross tee height: 32 mm, width: 24 mm, length: 600 mm/625 mm visible side: white visible side: Bamboo natural colour/dark	75 pieces 75 pieces	1,80 €/m 2,99 €/m
4	47	Cross tee height: 32 mm, width: 24 mm, length: 1200 mm/1250 mm visible side: white visible side: Bamboo natural colour/dark	50 pieces 50 pieces	1,80 €/m 2,99 €/m
5	50G	Wall angle height: 24 mm, width: 19 mm, length: 3050 mm visible side: white visible side: Bamboo natural colour/dark	40 pieces 40 pieces	1,29 €/m 2,69 €/m

Bottom edge guide price per m² of ceiling (visible side: white): 5,98 €/m² (625 x 625 mm); 6,24 €/m² (600 x 600 mm)

These are average price indications. Please contact your local OWA Representative or our Export Team in order to get your personal quotation.

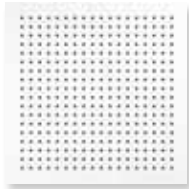


Natural influence on interior concepts

Bamboo

Bamboo is a versatile Asian plant that offers many important performance characteristics as well as being used to provide attractive, decorative products. OWA have taken that natural example and replicated the elegant warm finish and applied it to their own high performance ceiling tiles, providing a tile that looks great on its own, can be used to complement other timber elements in a room and also provide high levels of sound control and fire resistance.

Chess

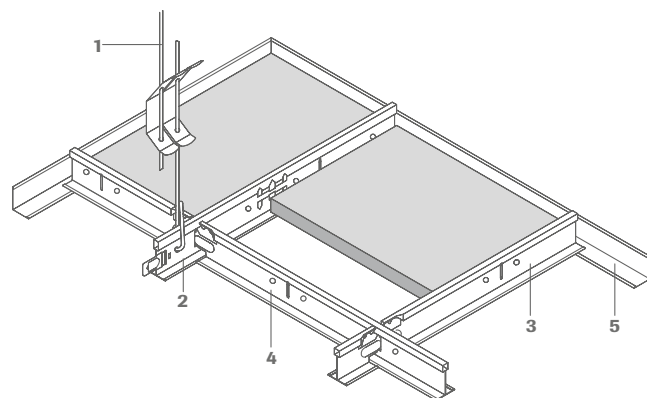


Chess Qg8830

Chess Qg8836 mineral tiles

All edges **3**

Length	Width	Thickness	Units per pack	α_w /NRC	Price	Del. Cat.
600 mm	600 mm	15 mm	12	0.85/0.85	54,00 €/m²	D
610 mm	610 mm	15 mm	12	0.85/0.85	54,00 €/m²	D
625 mm	625 mm	15 mm	12	0.85/0.85	54,00 €/m²	D



S 3 – suspension system

Product no.	Product / component description	Units per pack	Price
1	12/30/2 Adjustable hanger with double tension springs diameter: 4 mm, maximum load: 0.25 kN max. range of extension: 270 mm, a wire overhang of at least 15 mm must be provided	100 pieces	0,31 €/pce
2	45 Main tee height: 38 mm, width: 24 mm, length: 3700 mm/3750 mm visible side: white	25 pieces	1,80 €/m
3	46 Cross tee height: 32 mm, width: 24 mm, length: 600 mm/625 mm visible side: white	75 pieces	1,80 €/m
4	47 Cross tee height: 32 mm, width: 24 mm, length: 1200 mm/1250 mm visible side: white	50 pieces	1,80 €/m
5	50G Wall angle height: 38 mm, total width: 30 mm, visible width: 15 mm, length: 3050 mm visible side: white	35 pieces	1,29 €/m

Bottom edge guide price per m² of ceiling (visible side: white): 5,98 €/m² (625 x 625 mm); 6,24 €/m² (600 x 600 mm)

Acoustic class, optical finesse

Chess

“Form follows function”, or so the saying goes. Thank goodness there are creative exceptions now and again! With the ceiling tiles in the Chess design, acoustic performance meets optical finesse at the same level. The fleece covered mineral tiles in this series stand out thanks to the outstanding sound absorption level of $NRC = 0.85$ – great performance, ideal for rooms with the highest demands in relation to music and/or speech intelligibility. The trick behind Chess: a discreet, printed square hole pattern allows the technical properties of the tiles to stand out optically as well. For interesting, but also elegantly conservative, surface textures.



Opus



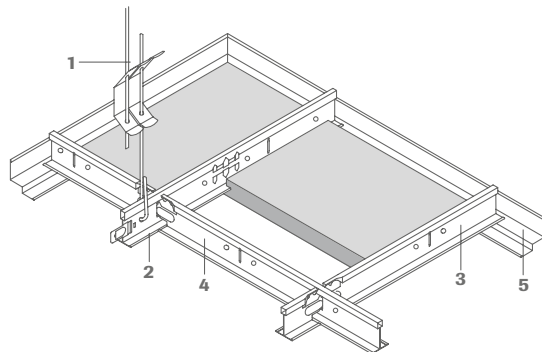
Opus – mineral tiles



Length	Width	Thickness	Units per pack	α_w /NRC	Price	Del. Cat.
600 mm	600 mm	20 mm	8	0.70/0.65	46,20 €/m²	D
625 mm	625 mm	20 mm	8	0.70/0.65	46,20 €/m²	D



S 19 Teccor – suspension system



	Product no.	Product / component description	Units per pack	Price
1	12/30/2	Adjustable hanger with double tension springs diameter: 4 mm, maximum load: 0.25 kN max. range of extension: 270 mm, a wire overhang of at least 15 mm must be provided	100 pieces	0,31 €/pce
2	45	Main tee height: 38 mm, width: 24 mm, length: 3700 mm/3750 mm visible side: white	25 pieces	1,80 €/m
3	46	Cross tee height: 32 mm, width: 24 mm, length: 600 mm/625 mm visible side: white	75 pieces	1,80 €/m
4	47	Cross tee height: 32 mm, width: 24 mm, length: 1200 mm/1250 mm visible side: white	50 pieces	1,80 €/m
5	50/19	Wall angle height: 38 mm, total width: 30 mm, visible width: 15 mm, length: 3050 mm visible side: white	35 pieces	2,36 €/m

Bottom edge guide price per m² of ceiling: 5,98 €/m² (625 x 625 mm); 6,24 €/m² (600 x 600 mm)

These are average price indications. Please contact your local OWA Representative or our Export Team in order to get your personal quotation.

Cool design – Great acoustics

Opus

Concrete has its unique place in interior design as well as construction. Its biggest drawback as an interior finish is its lack of sound absorption. The in-house OWAconsult® design team took the visual concept and created Opus, a concealed grid mineral tile that replicates the surface appearance of concrete and provides great sound absorption.



Frame



Constellation



Cosmos/N



Opus

1 Constellation – mineral tiles

Le **1** Se **3**

Length	Width	Thickness	Units per pack	α_w /NRC	Price	Del. Cat.
2000 mm	312.5 mm	15 mm	10	0.70/0.70	15,70 €/m²	B
2500 mm	312.5 mm	15 mm	10	0.70/0.70	15,70 €/m²	B

1 Cosmos/N – mineral tiles

Le **1** Se **3**

Length	Width	Thickness	Units per pack	α_w /NRC	Price	Del. Cat.
2000 mm	312.5 mm	15 mm	10	0.65/0.65	17,10 €/m²	B
2500 mm	312.5 mm	15 mm	10	0.65/0.65	17,10 €/m²	B

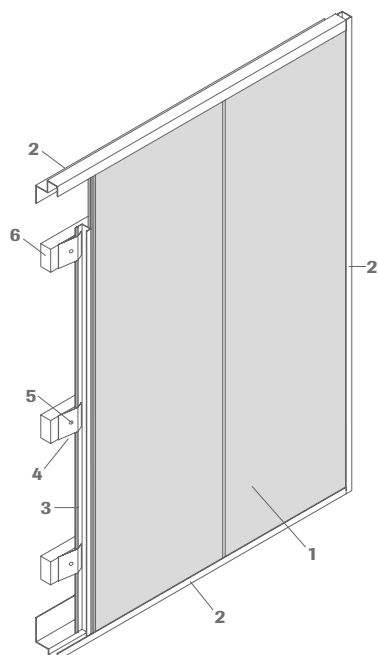
1 Opus – mineral tiles

Le **1** Se **3**

Length	Width	Thickness	Units per pack	α_w /NRC	Price	Del. Cat.
2000 mm	312.5 mm	20 mm	8	0.70/0.65	61,50 €/m²	D
2500 mm	312.5 mm	20 mm	8	0.70/0.65	61,50 €/m²	D



Frame – wall installation



Product no.	Product / component description	Wall area 1 Width x height approx. 2500 x 2000 mm	Wall area 2 Width x height approx. 2500 x 2500 mm	Wall area 3 Width x height approx. 5000 x 2000 mm	Wall area 4 Width x height approx. 5000 x 2500 mm	Units per pack	Price
1	OWAcoustic mineral board	8 pieces	8 pieces	16 pieces	16 pieces	-	-
2	Kit 1, visible side: white similar RAL 9003, consisting of: vertical top frame profile, length 2016 mm, 2 pcs. upper top frame profile, length 2478 mm, 1 pc. lower top frame profile, length 2478 mm, 1 pc.	1 piece	-	1 piece	-	-	197,20 €/Kit
2	Kit 2, visible side: white similar RAL 9003, consisting of: vertical top frame profile, length 2516 mm, 2 pcs. upper top frame profile, length 2478 mm, 1 pc. lower top frame profile, length 2478 mm, 1 pc.	-	1 piece	-	1 piece	-	217,40 €/Kit
	Extension kit, visible side: white similar RAL 9003, consisting of: upper top frame profile, lengthening piece, length 2500 mm, 1 pc lower top frame profile, lengthening piece, length 2500 mm, 1 pc.	-	-	1 piece	1 piece	-	109,80 €/Kit
3	20 Z profile, galvanised, length: 3000 mm	7 pieces	7 pieces	15 pieces	15 pieces	25 pieces	1,28 €/m
4	62 Direct fix clamp, galvanised	21 pieces	21 pieces	45 pieces	45 pieces	100 pieces	0,30 €/pce
5	91 Wood screw, 5 x 25 mm, galvanised	21 pieces	21 pieces	45 pieces	45 pieces	500 pieces	0,15 €/pce
	99508 Joint tape 5 x 8 mm, onesided self adhesive	4 m	5 m	4 m	5 m	10 m roll	0,47 €/m
6	Timber batten 24/48 mm, onsite						

Depth approx. 53 mm | Wall installation is only shock and pressure resistant to a limited extend. | Damaged tiles can be replaced.

Installation instruction see brochure no. 1569 Frame.

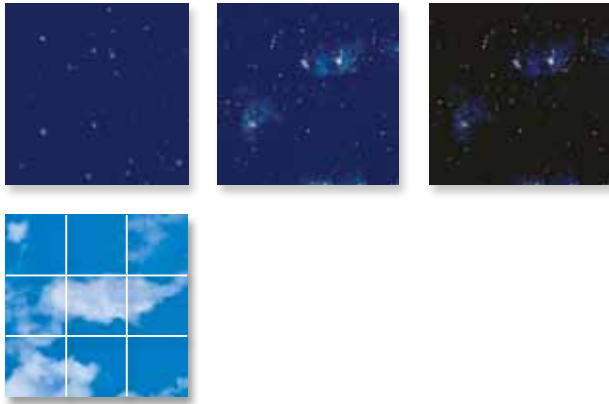
These are average price indications. Please contact your local OWA Representative or our Export Team in order to get your personal quotation.

Vertical control

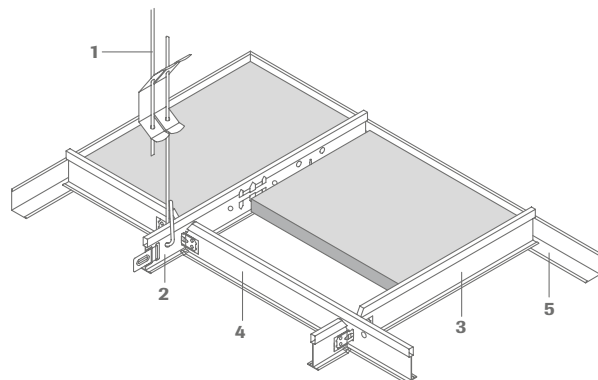
Frame

A versatile wall mounted sound absorbing element, Frame comes with the choice of three surface designs and is easy to install as a standard kit or adjusted to the size of your room. Once installed, the improvement in reverberation time and clarity of speech is remarkable. Installation is easy, even as a retrofit solution, fix side, top and bottom trims and insert the panels and finish off with the final side – installation complete!

Creaprint



In addition to the motifs above the Creaprint mineral tiles can also be printed with individual motifs; see brochure no. 891 E and the file guidelines for Creaprint.



Creaprint Constellation – mineral tiles

All edges **3**

Length	Width	Thickness	Number of printed tiles	α_w /NRC	Price	Del. Cat.
600 mm	600 mm	15 mm	up to 3	0.70/0.65	86,40 €/pce	D
625 mm	625 mm	15 mm	up to 15	0.70/0.65	81,60 €/pce	D
			16 to 31	0.70/0.65	79,25 €/pce	D
			32 to 83	0.70/0.65	68,80 €/pce	D
			64 to 127	0.70/0.65	66,60 €/pce	D
			as of 128	0.70/0.65	64,40 €/pce	D

Costs for data transfer:
One-off 38,00 €/motif, net. Costs for data preparation and processing at cost

Creaprint Plain – mineral tiles

All edges **3**

Length	Width	Thickness	Number of printed tiles	α_w /NRC	Price	Del. Cat.
600 mm	600 mm	15 mm	up to 3	0.15/0.15	87,30 €/pce	D
625 mm	625 mm	15 mm	up to 15	0.15/0.15	81,95 €/pce	D
			16 to 31	0.15/0.15	80,10 €/pce	D
			32 to 83	0.15/0.15	69,95 €/pce	D
			64 to 127	0.15/0.15	67,45 €/pce	D
			as of 128	0.15/0.15	65,30 €/pce	D

Costs for data transfer:
One-off 38,00 €/motif, net. Costs for data preparation and processing at cost



S 15 cliq – suspension system

Product no.	Product / component description	Units per pack	Price
1	12/30/2 Adjustable hanger with double tension springs diameter: 4 mm, maximum load: 0.25 kN max. range of extension: 270 mm, a wire overhang of at least 15 mm must be provided	100 pieces	0,31 €/pce
2	cliq-15-MR Main tee height: 38 mm, width: 15 mm, length: 3000 mm/3125 mm, visible side: white	20 pieces	1,89 €/m
3	cliq-15-CT Cross tee, joggled height: 38 mm, width: 15 mm, length: 600 mm/625 mm, visible side: white	60 pieces	1,89 €/m
4	cliq-15-CT Cross tee, joggled height: 38 mm, width: 15 mm, length: 1200 mm/1250 mm, visible side: white	60 pieces	1,89 €/m
5	50G Wall angle height: 24 mm, width: 19 mm, length: 3050 mm visible side: white	40 pieces	1,29 €/m

Also available for system S 3 / S 3 cliq (24 mm profile) system

Bottom edge guide price per m² of ceiling: 6,25 €/m² (625 x 625 mm); 6,50 €/m² (600 x 600 mm)

These are average price indications. Please contact your local OWA Representative or our Export Team in order to get your personal quotation.



Creativity at your fingertips


Creaprint

Company logo, pictures, directions, symbols, instructions or the creation of special environments such as jungles and skies, all can be printed on OWA ceiling tiles using our creative printing service "Creaprint". Select from library pictures or send us your own hi-res images and we will put them in the ceiling on a single, on multiple tiles or a complete ceiling; the only limitation is your imagination.

Stripe



Stripe – mineral tiles

All edges  5a

Length	Width	Thickness	Units per pack	α_w /NRC	Price	Del. Cat.
1200 mm	300 mm	15 mm	10	0.55/0.50	40,45 €/m²	D

See page 60 for minimum order fees

Guide price for the complete system: 49,57 €/m²

Stripe – integrated lighting

Length	Width	Height	Rating	Performance	Units per pack	Price	Del. Cat.	
1200 mm	300 mm	95 mm	IP 40	2 x 36 W	1	246,60 €/pce	D	
Accessories: Mounting kit no. 8067/9						1	3,76 €/pce	D
Accessories: Frame opener no. 8125 (e.g. to replace bulbs)						1	9,60 €/pce	D



Stripe – suspension system

	Product no.	Product / component description	Units per pack	Price
1	12/10*	Adjustable hanger length: 110 mm, width: 20 mm, galvanised, maximum load: 0.15 kN	100 pieces	0,35 €/pce
2	70	Primary tee profile height: 40 mm, width: 40 mm, length: 5000 mm, galvanised	8 pieces	2,91 €/m
3	77	Connector length: 100 mm	100 pieces	0,27 €/pce
4	60	Spring clip length: 180 mm	500 pieces	0,26 €/pce
5	20	Z profile height: 21 mm, width: 19 mm, length: 3000 mm	25 pieces	1,28 €/m
6	25	Connector, length: 150 mm	100 pieces	0,36 €/pce
7	23	T profile height: 12.5 mm, width: 10 mm, length: 295 mm	250 pieces	0,40 €/pce
8	24* ¹	L profile height: 14mm, width: 10 mm, length: 295 mm	200 pieces	0,36 €/pce
9	50G	Wall angle height: 24 mm, width: 19 mm, length: 3050 mm, visible side: white	40 pieces	1,29 €/m
10	52	Wall spring clip width: 16 mm, length: 110 mm, bronzed	100 pieces	0,30 €/pce

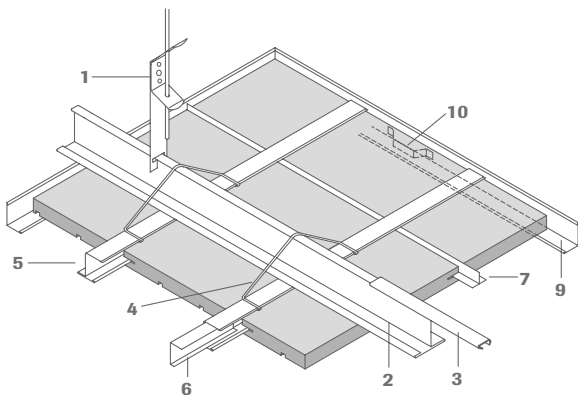
* Hanger no. 14/.../2 see accessories list page 62

*¹ 4 L profiles no. 24 must be included for every room (to install the last tile).

Bottom edge guide price per m² of ceiling: 9,12 €/m²

See brochure no. 1594 e Stripe

These are average price indications. Please contact your local OWA Representative or our Export Team in order to get your personal quotation.

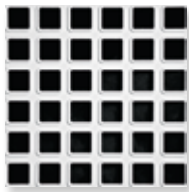


Clean lines

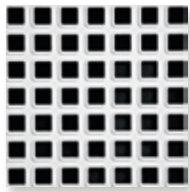
Stripe

If you like modern architecture and appreciate a simple well defined design you will like Stripe. Reminiscent of some Nordic designs it's simple, linear surface pattern and use of a concealed suspension system creates a subtle, almost monolithic finish yet it is more than just a visual performance. It also provides absorption of up to 50 % of incident sound energy and has a complementary modular light fitting available to complete the system.

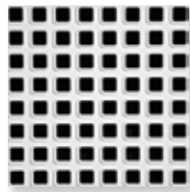
Excell



Excell 30 1/6



Excell 30 1/7



Excell 30 1/8

Excell 30 1/6, 1/7, 1/8 – mineral tiles*

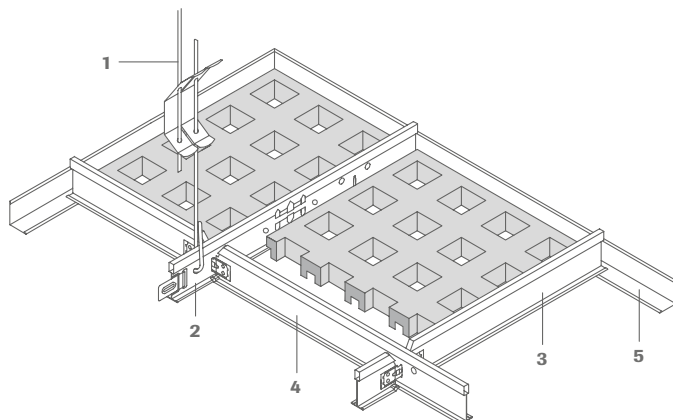
All edges 15e

Length	Width	Thickness	Units per pack	α_w /NRC	Price	Del. Cat.
600 mm	600 mm	20 mm	7	0.40/0.50 (with fleece)	50,60* €/m²	D
625 mm	625 mm	20 mm	7	0.40/0.50 (with fleece)	50,60* €/m²	D

* without fleece

Fleece (grey or black) delivered in package á 25 pieces 2,78 €/m²Module: 600 x 600 mm = 9,00 m²/package = 25,02 €/packageModule: 625 x 625 mm = 9,75 m²/package = 27,10 €/package

Guide price for the complete system without fleece: 56,87 €/m² (625 x 625 mm); 57,12 €/m² (600 x 600 mm)



S 15 cliq – suspension system

Product no.	Product / component description	Units per pack	Price
1	12/30/2 Adjustable hanger with double tension springs diameter: 4 mm, maximum load: 0.25 kN max. range of extension: 270 mm, a wire overhang of at least 15 mm must be provided	100 pieces	0,31 €/pce
2	cliq-15-MR Main tee height: 38 mm, width: 15 mm, length: 3000 mm/3125 mm, visible side: white	20 pieces	1,89 €/m
3	cliq-15-CT Cross tee, joggled height: 38 mm, width: 15 mm, length: 600 mm/625 mm, visible side: white	60 pieces	1,89 €/m
4	cliq-15-CT Cross tee, joggled height: 38 mm, width: 15 mm, length: 1200 mm/1250 mm, visible side: white	60 pieces	1,89 €/m
5	50G Wall angle height: 24 mm, width: 19 mm, length: 3050 mm, visible side: white	40 pieces	1,29 €/m

Bottom edge guide price per m² of ceiling: 6,25 €/m² (625 x 625 mm); 6,50 €/m² (600 x 600 mm)

See brochure no. 1863 e Excellv

These are average price indications. Please contact your local OWA Representative or our Export Team in order to get your personal quotation.

Square perforations

Excell

Available in three cell sizes, "Excell" can provide from 39.3 % up to 51.8 % open surface area ensuring that thermal mass constructions are able to function. Installed using 15 mm wide suspension system S 15, the format of the tile disguises the grid providing an attractive homogeneous appearance. The installation of an optional black or grey fleece on the back of the tiles can be used to improve the acoustic as well influence the final appearance of the ceiling. The use of additional overlay pads can be included to improve the acoustic performance further. For greater design choice Excell can be combined with other OWAconsult® or OWAlifetime surface patterns.



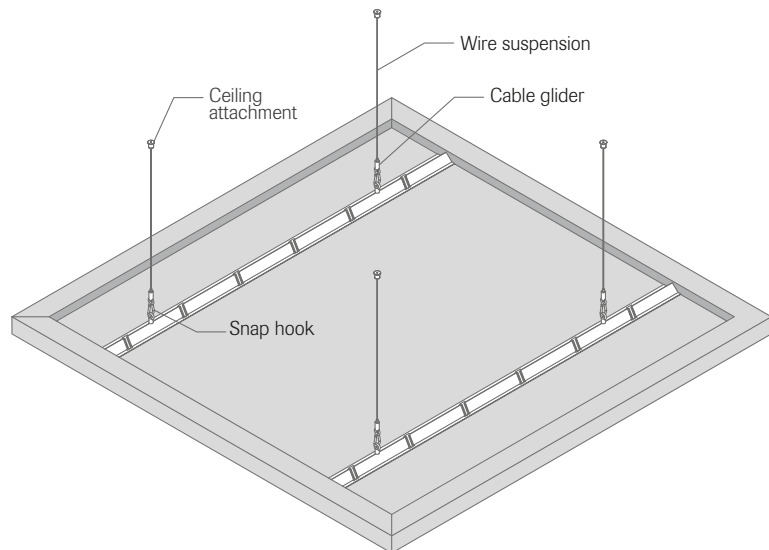
Canto



Canto

Length	Width	Thickness	Visible side	α_w /NRC	Price	Del. Cat.
1024 mm	1024 mm	40 mm	fleece covered, white	0.85 / 0.85	168,00 €/pce	B

Price including mounting set (4 sets per ceiling canopy consisting of suspension wire, 1500 mm, rope adjuster with snap hook, fixture of ceiling M5)
Mineralboard Sinfonia is used for Canto





Strong Monoliths. Pretty formations.

Canto

The OWA ceiling canopy is based on the acoustically effective Sinfonia mineral tile (sound absorption value 0.85). Their uniform appearance from below and the large format size of 1024 x 1024 mm provide attractive acoustic solutions – either as a monolith for discreetly designed conversation areas or arranged to create formations with harmonic surface areas. Canto is the best solution for rooms with exposed concrete and also for improvements in acoustics. Flächenanmutung. Canto ist die ideale Standard-Akustiklösung für Räume in Sichtbeton sowie akustische Verbesserungen im Bestand.

Curve

Curve 1



Curve 2



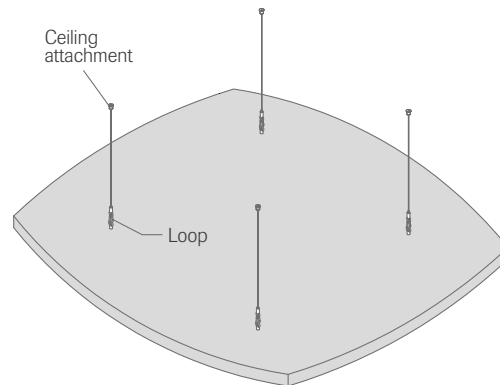
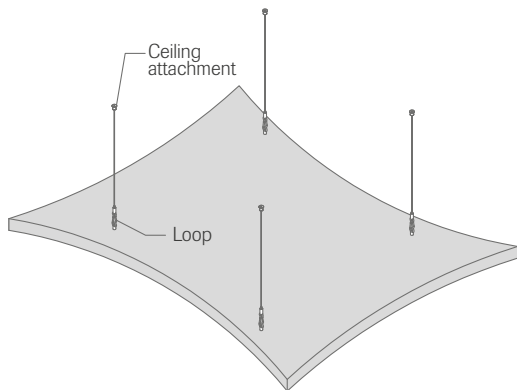
Curve 1

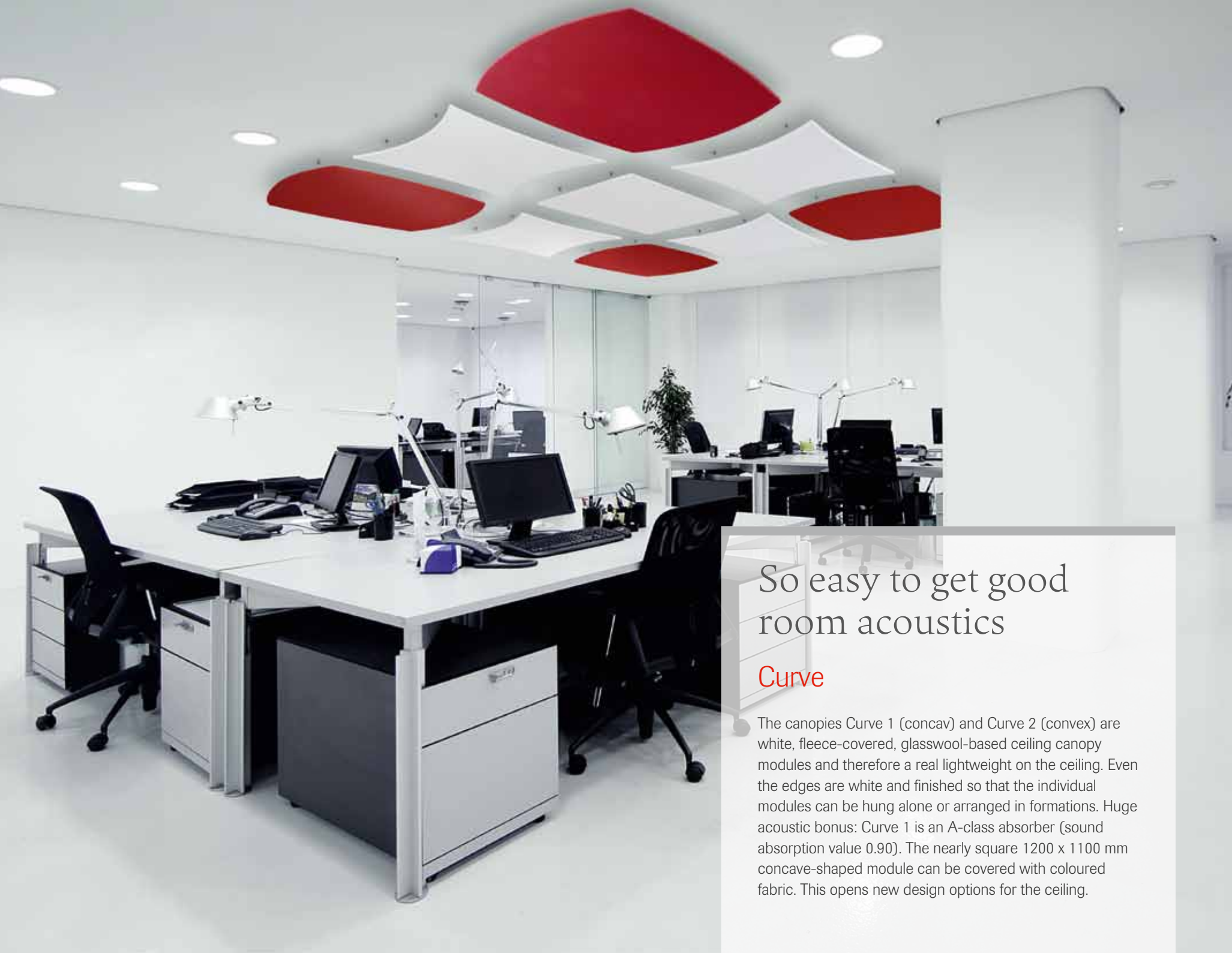
Length	Width	Thickness	Visible side	α_w /NRC	Price	Del. Cat.
1200 mm	1100 mm	40 mm	fleece covered, white	0.90 / 0.90	185,00 €/pce	D
1200 mm	1100 mm	40 mm	coloured fabric	0.90 / 0.90	195,00 €/pce	D

Curve 2

Length	Width	Thickness	Visible side	α_w /NRC	Price	Del. Cat.
1100 mm	910 mm	40 mm	fleece covered, white	0.90 / 0.90	155,00 €/pce	D
1100 mm	910 mm	40 mm	coloured fabric	0.90 / 0.90	165,00 €/pce	D

Price including mounting set (4 sets per ceiling canopy consisting of suspension wire, 1500 mm, rope adjuster with snap hook, fixture of ceiling M5)





So easy to get good room acoustics

Curve

The canopies Curve 1 (concav) and Curve 2 (convex) are white, fleece-covered, glasswool-based ceiling canopy modules and therefore a real lightweight on the ceiling. Even the edges are white and finished so that the individual modules can be hung alone or arranged in formations. Huge acoustic bonus: Curve 1 is an A-class absorber (sound absorption value 0.90). The nearly square 1200 x 1100 mm concave-shaped module can be covered with coloured fabric. This opens new design options for the ceiling.

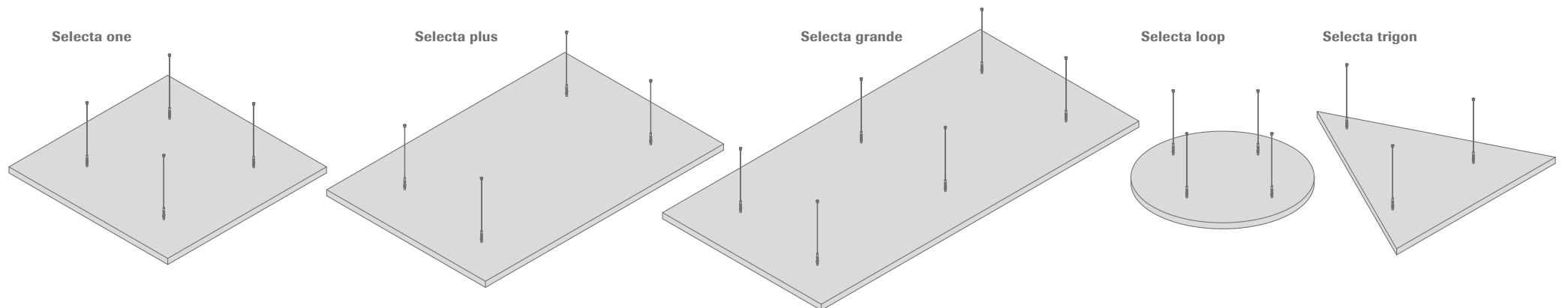
Selecta



Selecta

	Length	Width	Thickness	Visible side	α_w /NRC	Price	Del. Cat.
Selecta one	1200	1200	40	fleece covered, white	0.90/0.90	145,00 €	D
Selecta plus	1800	1200	40	fleece covered, white	0.90/0.90	189,00 €	D
Selecta grande	2400	1200	40	fleece covered, white	0.90/0.90	265,00 €	D
Selecta loop	Ø 1200 mm		40	fleece covered, white	0.90/0.90	139,00 €	D
Selecta trigon	1200	1200	40	fleece covered, white	0.90/0.90	125,00 €	D

Price including mounting set (4 sets per ceiling canopy consisting of suspension wire, 1500 mm, rope adjuster with snap hook, fixture of ceiling M5)

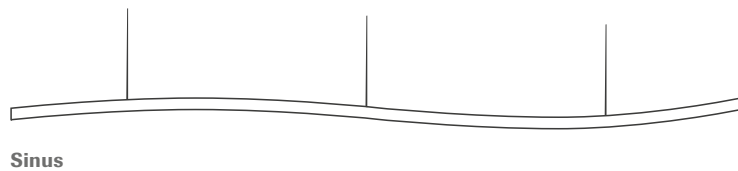
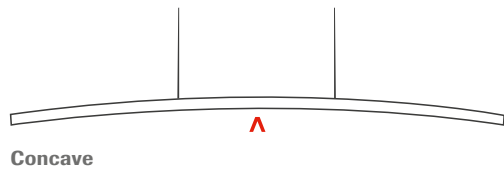
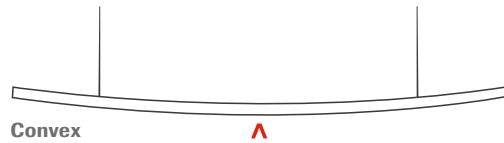
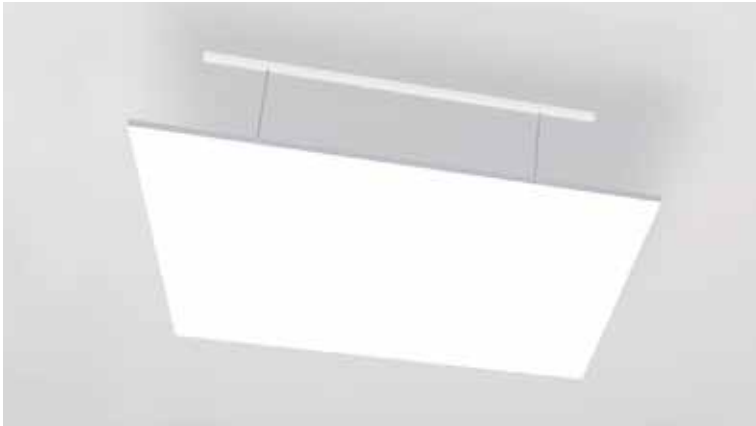


Geometry of the exclusive

Selecta

Do you combine form consciousness with high acoustic demands on your working environment? Then go for Selecta, an exclusive series made of light glasswool absorbers in the A-class format (noise absorption value $\alpha_w = 0.90$). You can choose from five striking basic forms with white underside views. They can be freely combined for highly expressive geometries. The fleece-lined ceiling canopies, measuring up to 2,400 x 1,200 mm, are suspended with ceiling attachments and cables up to 1.5 m in length and open up countless options for creative acoustic solutions beneath almost any structure.

Vela



Convex

Length	Width	Thickness	Edge/frame	α_w /NRC	Price	Del. Cat.
1250 mm	1250 mm	30 mm	White edge	0.85 / 0.85	499,00 €/pce	D

Concave

Length	Width	Thickness	Edge/frame	α_w /NRC	Price	Del. Cat.
1250 mm	1250 mm	30 mm	White edge	0.85 / 0.85	499,00 €/pce	D

Linear

Length	Width	Thickness	Edge/frame	α_w /NRC	Price	Del. Cat.
1250 mm	1250 mm	30 mm	White edge	0.85 / 0.85	524,20 €/pce	D

Sinus

Length	Width	Thickness	Edge/frame	α_w /NRC	Price	Del. Cat.
1850 mm	1250 mm	30 mm	White edge	0.85 / 0.85	719,65 €/pce	D

All grid systems include the installation kit (suspension wire, 1000 mm), see brochure no. 1964 canopies.
Ceiling fixing on site (order slotted C profile separately)

Mineral board Bolero is used for all Vela.

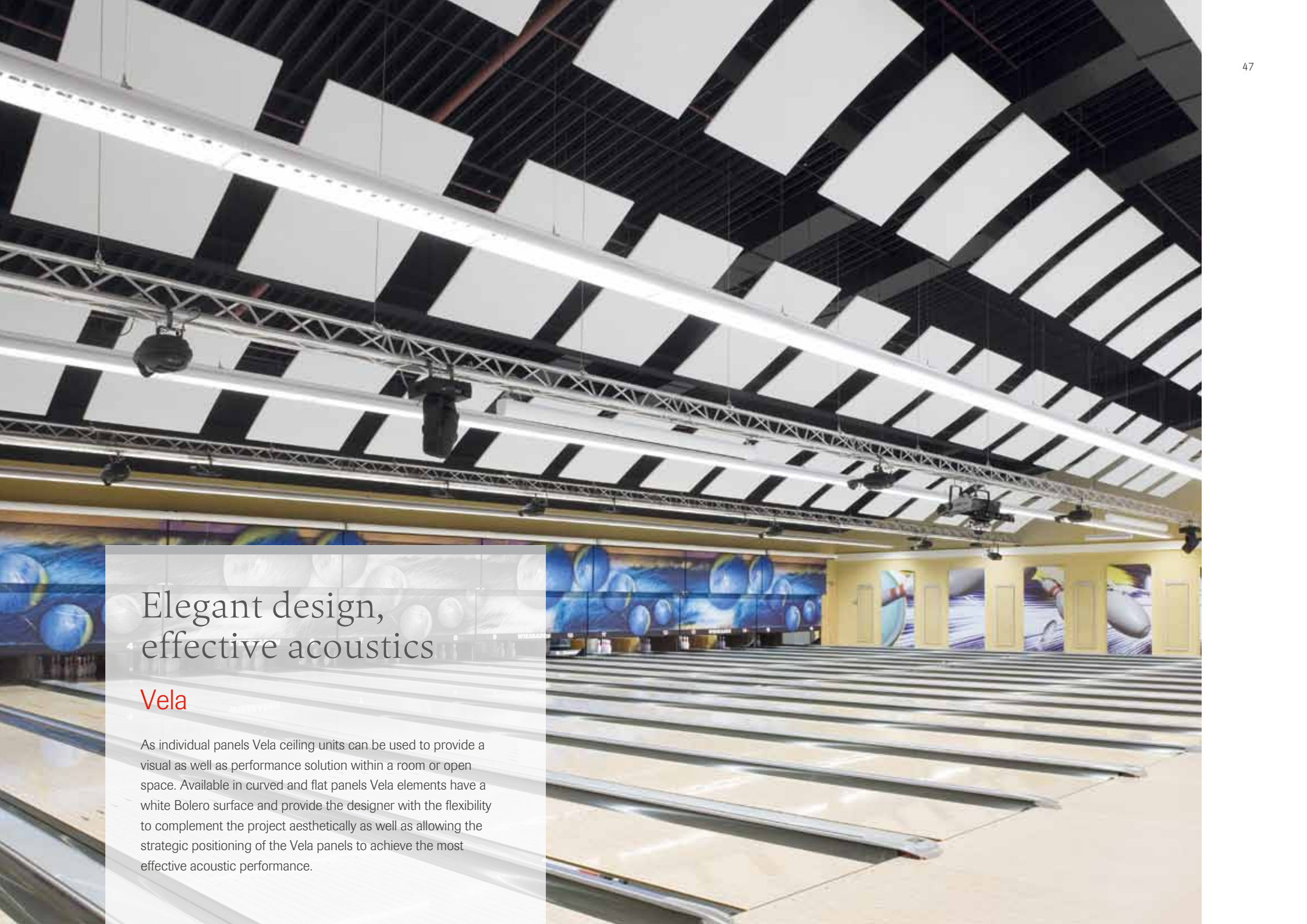
Convex, concave, linear – suspension system

Product no.	Product / component description	Units per pack	Price
8000	Slotted C profile length: 1200 mm, colour: white	2 pieces	11,19 €/pce

Sinus – suspension system

Product no.	Product / component description	Units per pack	Price
7001	Slotted C profile length: 2000 mm, colour: white	2 pieces	8,63 €/m

These are average price indications. Please contact your local OWA Representative or our Export Team in order to get your personal quotation.

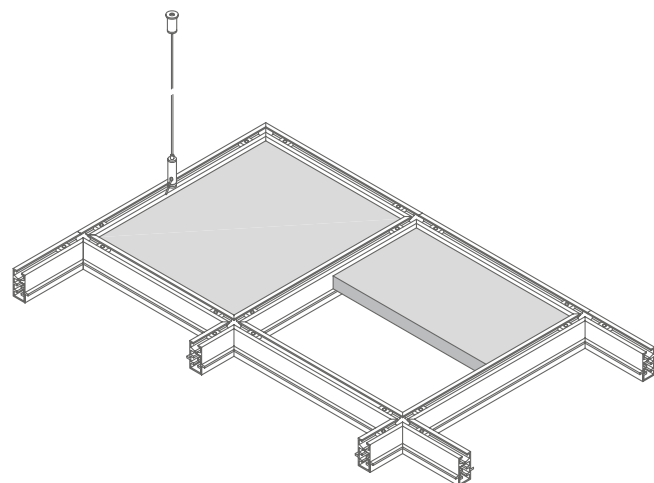


Elegant design, effective acoustics

Vela

As individual panels Vela ceiling units can be used to provide a visual as well as performance solution within a room or open space. Available in curved and flat panels Vela elements have a white Bolero surface and provide the designer with the flexibility to complement the project aesthetically as well as allowing the strategic positioning of the Vela panels to achieve the most effective acoustic performance.

Lega



Constellation 3 – mineral tiles

All edges 3

Length	Width	Thickness	Units per pack	α_w /NRC	Price	Del. Cat.
625 mm	625 mm	15 mm	12	0.70 / 0.70	10,10 €/m ²	A

Harmony 72 – mineral tiles

All edges 3

Length	Width	Thickness	Units per pack	α_w /NRC	Price	Del. Cat.
625 mm	625 mm	15 mm	12	0.70 / 0.65	10,10 €/m ²	A

Cosmos 68/N – mineral tiles

All edges 3

Length	Width	Thickness	Units per pack	α_w /NRC	Price	Del. Cat.
625 mm	625 mm	15 mm	12	0.65 / 0.65	12,00 €/m ²	A

Bolero – mineral tiles

All edges 3

Length	Width	Thickness	Units per pack	α_w /NRC	Price	Del. Cat.
625 mm	625 mm	15 mm	12	0.85 / 0.85	15,20 €/m ²	B

Sinfonia – mineral tiles

All edges 3

Length	Width	Thickness	Units per pack	α_w /NRC	Price	Del. Cat.
625 mm	625 mm	15 mm	12	0.85 / 0.85	14,75 €/m ²	B



Lega – suspension system

Length	Width	Edge/frame	Price	Del. Cat.
1290 mm	1290 mm	White aluminium extrusion incl. installation pack with wire suspension L = 1.5 m, ceiling fixing on site, ceiling grid with 4 tiles 625 x 625 mm (order tiles separately)	263,84 €/pce	B
1927 mm	1290 mm	White aluminium extrusion incl. installation pack with wire suspension L = 1.5 m, ceiling fixing on site, ceiling grid with 6 tiles 625 x 625 mm (order tiles separately)	349,92 €/pce	B

See brochure no. 1964 e

These are average price indications. Please contact your local OWA Representative or our Export Team in order to get your personal quotation.

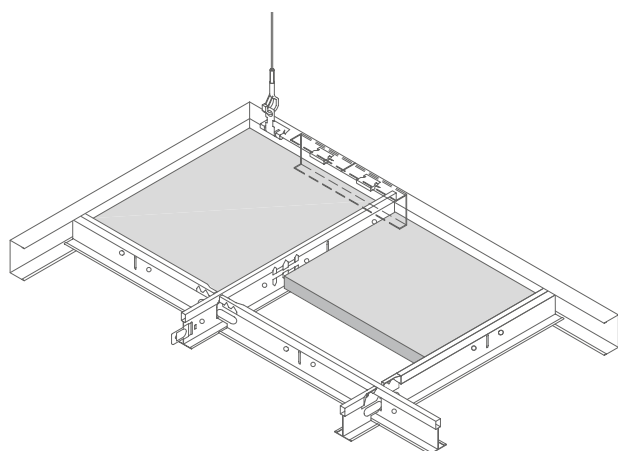


Islands of sound absorption

Lega

Installing individual Lega ceiling islands within a room will help to control the overall acoustics and can provide localised quiet zones. Based on a 625 x 625 mm module, Lega islands are manufactured from high quality aluminium profiles colour matched to the infill ceiling tiles (e.g. Bolero). Available in 4 or 6 module formats Lega is easy to install and come complete with a detailed installation guide.

Para



Constellation 3 – mineral tiles

All edges **3** All edges **6**

Length	Width	Thickness	Edge	Units per pack	α_w /NRC	Price	Del. Cat.
625 mm	625 mm	15 mm	Edge 3	12	0.70 / 0.70	10,10 €/m²	A
625 mm	625 mm	15 mm	Edge 6	10	0.70 / 0.70	12,80 €/m²	A

Harmony 72 – mineral tiles

All edges **3** All edges **6**

Length	Width	Thickness	Edge	Units per pack	α_w /NRC	Price	Del. Cat.
625 mm	625 mm	15 mm	Edge 3	12	0.70 / 0.65	10,10 €/m²	A
625 mm	625 mm	15 mm	Edge 6	10	0.70 / 0.65	12,80 €/m²	A

Cosmos 68/N – mineral tiles

All edges **3** All edges **6**

Length	Width	Thickness	Edge	Units per pack	α_w /NRC	Price	Del. Cat.
625 mm	625 mm	15 mm	Edge 3	12	0.65 / 0.65	12,00 €/m²	A
625 mm	625 mm	15 mm	Edge 6	10	0.65 / 0.65	14,75 €/m²	A

Bolero – mineral tiles

All edges **3** All edges **6**

Length	Width	Thickness	Edge	Units per pack	α_w /NRC	Price	Del. Cat.
625 mm	625 mm	15 mm	Edge 3	12	0.85 / 0.85	15,20 €/m²	B
625 mm	625 mm	15 mm	Edge 6	10	0.85 / 0.85	17,80 €/m²	B

Sinfonia – mineral tiles

All edges **3** All edges **6**

Length	Width	Thickness	Edge	Units per pack	α_w /NRC	Price	Del. Cat.
625 mm	625 mm	15 mm	Edge 3	12	0.85 / 0.85	14,75 €/m²	B
625 mm	625 mm	15 mm	Edge 6	10	0.85 / 0.85	17,40 €/m²	B



Para – suspension system

Length	Width	Edge/frame	Price	Del. Cat.
1266 mm	1266 mm	White C profile incl. installation pack with wire suspension L = 1.0 m, ceiling fixing on site, ceiling grid with 4 tiles 625 x 625 mm (order tiles separately)	160,08 €/pce	B
1891 mm	1266 mm	White C profile incl. installation pack with wire suspension L = 1.0 m, ceiling fixing on site, ceiling grid with 6 tiles 625 x 625 mm (order tiles separately)	179,56 €/pce	B

See brochure no. 1964 e

These are average price indications. Please contact your local OWA Representative or our Export Team in order to get your personal quotation.

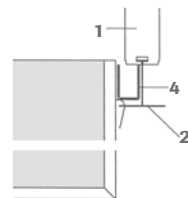
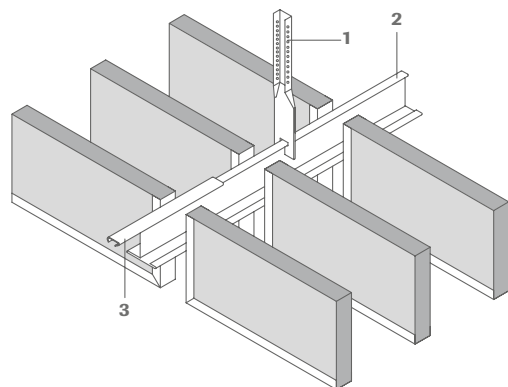
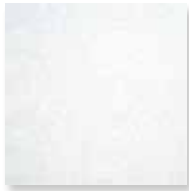


Spatial acoustics with design options

Para

Based on a module size of 625 x 625 mm, the Para canopy can utilise any of our standard square edge (E 3) or contura reveal edge (E 6) OWAcooustic® ceiling tiles. Available in a four or six module formats the canopy is supplied in a kit form with 1000 mm suspension wires and can be installed under virtually any ceiling structure.

Baffle



Constellation – mineral baffles

 All edges 3

Length	Height	Thickness	Units per pack	α_w /NRC	Price	Del. Cat.
1160 mm (Grid 1200 mm)	150 mm	24 mm	10	0.60/0.65	21,40 €/pce	D
1210 mm (Grid 1250 mm)	150 mm	24 mm	10	0.60/0.65	22,50 €/pce	D
1160 mm (Grid 1200 mm)	200 mm	24 mm	10	0.60/0.65	22,50 €/pce	D
1210 mm (Grid 1250 mm)	200 mm	24 mm	10	0.60/0.65	23,60 €/pce	D
1160 mm (Grid 1200 mm)	250 mm	24 mm	5	0.60/0.65	23,60 €/pce	D
1210 mm (Grid 1250 mm)	250 mm	24 mm	5	0.60/0.65	24,70 €/pce	D
1160 mm (Grid 1200 mm)	300 mm	24 mm	5	0.60/0.65	24,70 €/pce	D
1210 mm (Grid 1250 mm)	300 mm	24 mm	5	0.60/0.65	25,75 €/pce	D
1160 mm (Grid 1200 mm)	400 mm	24 mm	5	0.60/0.65	29,00 €/pce	D
1210 mm (Grid 1250 mm)	400 mm	24 mm	5	0.60/0.65	31,20 €/pce	D
1160 mm (Grid 1200 mm)	600 mm	24 mm	5	0.60/0.65	36,70 €/pce	D
1210 mm (Grid 1250 mm)	600 mm	24 mm	5	0.60/0.65	38,85 €/pce	D

* including 3-sided metal frame



Baffle – suspension system

Product no.	Product / component description	Units per pack	Price
1 17/10*	Hanger length: 190 mm, galvanised, maximum load: 0.40 kN	100 pieces	0,48 €/pce
2 70/10	Primary tee profile with slots in table at 100 mm centre height: 40 mm, width: 40 mm, length: 3000 mm, lower visual side: white	8 pieces	4,86 €/m
3 77	Connector length: 100 mm, galvanised	100 pieces	0,27 €/pce
4 70E	U profile height: 30.7 mm, length: 3750 mm, galvanised	10 pieces	2,56 €/m
76	Safety pin for Nonius hangers, length: approx. 70 mm, thickness: 3 mm, galvanised	100 pieces	0,10 €/pce

* Extension no. 16/... see accessories list page 70

See brochure no. 1592 e Baffle

These are average price indications. Please contact your local OWA Representative or our Export Team in order to get your personal quotation.

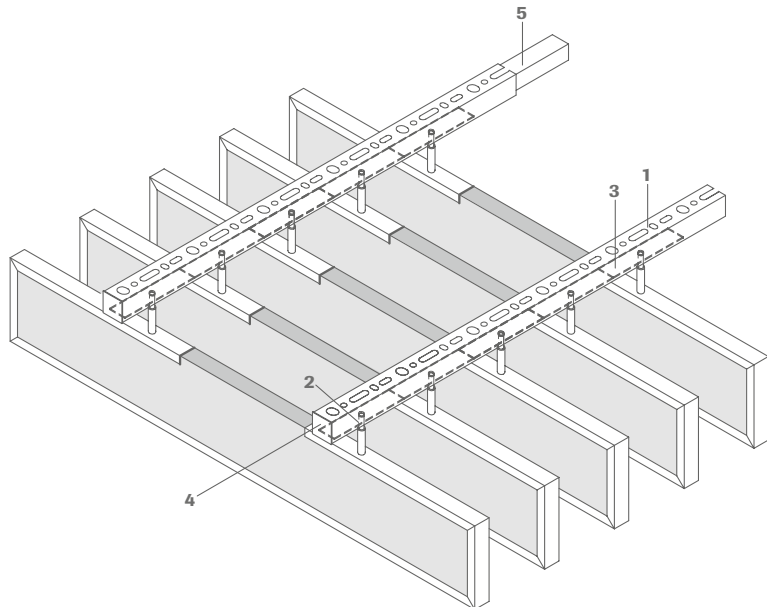
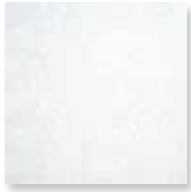
Vertical ceiling acoustics

Baffle

“Baffle” is a vertical system that provides individual design choices and freedom and complements “Cloud” and “Square”. Available in depths of 150 mm to 600 mm the 1200 mm baffles can be installed every 100 mm or multiples of 100 mm depending on the visual and acoustic requirement of the project. Baffles can be used in single or multiple depths providing the flexibility to create the visual effects of blocks, waves or a single homogeneous plane. Quick and easy to install baffles can be used in most applications including spaces utilising the thermal mass of a construction.



Unit



Constellation – mineral baffles

All edges 3

Length	Height	Thickness	Units per pack	α_w /NRC	Price	Del. Cat.
1200 mm	150 mm	24 mm	10	0.60/0.65	30,00 €/pce	D
1250 mm	150 mm	24 mm	10	0.60/0.65	31,00 €/pce	D
1500 mm	150 mm	24 mm	10	0.60/0.65	34,40 €/pce	D
1200 mm	300 mm	24 mm	5	0.60/0.65	35,50 €/pce	D
1250 mm	300 mm	24 mm	5	0.60/0.65	36,60 €/pce	D
1500 mm	300 mm	24 mm	5	0.60/0.65	41,00 €/pce	D

* including 4-sided metal frame



Unit – suspension system

Product no.	Product / component description	Units per pack	Price
1	7001 Slotted C profile, length: 2000 mm, colour: white	2 pieces	8,63 €/m
2	7002 Hexagonal screws M 6 x 40, galvanised	100 pieces	0,07 €/pce
3	7003 Rectangular fixing plate suitable for no. 7001 length: 100 mm, width: 22 mm, thickness: 2 mm, colour: white	10 pieces	2,19 €/pce
3	7003/1 Rectangular spacer plate, suitable for no. 7001 length: 100 mm, width: 22 mm, thickness: 2 mm, colour: white	10 pieces	2,19 €/pce
	7004 Knurled nut M 6, galvanised	100 pieces	0,54 €/pce
4	7005 End cap for C profile, plastic, colour: white	100 pieces	0,09 €/pce
	7006 Washer, 2.0 x 20 mm with drill hole M 6, galvanised (for suspended installation)	100 pieces	0,05 €/pce
	8021 Threaded rod M 6, diameter: 6 mm, length: 1000 mm, galvanised (for suspended installation)	100 pieces	1,32 €/pce
	10014 Nut M 6, galvanised (for suspended installation)	100 pieces	0,06 €/pce
5	7007 Connector 20/23/20 x 150 mm, galvanised, for C profile	loose parts	5,75 €/pce

See brochure no. 1593 e Unit

These are average price indications. Please contact your local OWA Representative or our Export Team in order to get your personal quotation.






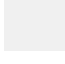





When extra sound absorption is needed

Unit

Particularly effective in projects where exposed concrete floors are used for thermal mass, "Unit" is a vertical baffle system that can be easily installed as a retrofit solution to rooms with acoustic problems. Installed as individual or multiple blocks, Unit can be used to create linear, geometric or even Mexican wave patterns, allowing the designer to make a visual as well as acoustic impact.

Wallboard



Front		Type	Wallboard 1 1274 x 649 x 90 mm	Wallboard 2 1794 x 649 x 90 mm	Wallboard 3 1794 x 909 x 90 mm	Del. Cat.
Anodised aluminium RL 2.5/8.0 (7.6 %)		B	432,00 € No. 47010 Weight: 9.6 kg	489,00 € No. 47011 Weight: 13.1 kg	529,00 € No. 47014 Weight: 17.0 kg	D
Anodised aluminium QL 5/8 (39.1 %)		B	432,00 € No. 46744 Weight: 9.4 kg	489,00 € No. 46993 Weight: 12.8 kg	529,00 € No. 46996 Weight: 16.5 kg	D
Anodised aluminium unperforated		T	430,00 € No. 47068 Weight: 11.3 kg	479,00 € No. 47069 Weight: 15.6 kg	517,00 € No. 47072 Weight: 20.4 kg	D
OWAcoustic tile fleece-laminated, white		B	380,00 € No. 62875 Weight: 10.7 kg	426,00 € No. 62876 Weight: 14.6 kg	469,00 € No. 62879 Weight: 19.0 kg	D
OWAcoustic tile fleece-laminated, black		B	442,00 € No. 69448 Weight: 10.7 kg	510,00 € No. 69452 Weight: 14.6 kg	575,00 € No. 69456 Weight: 19.0 kg	D
OWAcoustic tile fleece-laminated, Creaprint		B	442,00 € No. 62881 Weight: 10.7 kg	510,00 € No. 62882 Weight: 14.6 kg	575,00 € No. 62885 Weight: 19.0 kg	D
OWAcoustic tile Bamboo dark		B	442,00 € No. 69450 Weight: 10.7 kg	510,00 € No. 69454 Weight: 14.6 kg	575,00 € No. 69458 Weight: 19.0 kg	D
OWAcoustic tile Bamboo natural colour		B	442,00 € No. 69449 Weight: 10.7 kg	510,00 € No. 69453 Weight: 14.6 kg	575,00 € No. 69457 Weight: 19.0 kg	D
OWAcoustic tile Opus		B	442,00 € No. 69451 Weight: 10.7 kg	510,00 € No. 69455 Weight: 14.6 kg	575,00 € No. 69459 Weight: 19.0 kg	D

B = broadband absorber, T = low frequency absorber, 1 Creaprint front: plus EUR 38.00 digital costs per motif
Price per piece plus VAT, ex-factory Amorbach; freight costs of EUR 95.00 apply for orders < EUR 950.00.

Note: irregularities in the surface of the panels and profiles are a result of the material or manufacturing process and do not constitute a fault or flaw in the product.

See brochure no. 1587 e Absorber
These are average price indications. Please contact your local OWA Representative or our Export Team in order to get your personal quotation.

Acoustics and aesthetics

Wallboard

The quality of an internal environment can make a dramatic difference to the effectiveness of an area and acoustics are one of the key, invisible, elements that influence it. Uncontrolled reverberation in a residential or commercial space is not conducive to the creation of an efficient or relaxing space. Available in a number of sizes and formats "Wallboard" is designed to provide high levels of sound absorption as well as visually complement and enhance a room.



Free space



Orange Red Blue-grey Light grey Yellow




Green Petrol Dark blue Aubergine

Free space mobile absorbers are covered with fabric on both sides and feature a slim aluminium frame. The fabric sides are available in nine colours.

Frame front and rear	Free space 1 1312 x 687 x 85 mm incl. stand pair, 4 t-nuts and screws	Free space 2 1832 x 687 x 85 mm incl. stand pair, 4 t-nuts and screws	Free space 3 1832 x 947 x 85 mm incl. stand pair, 4 t-nuts and screws	α_w /NRC	Del. Cat.
Orange	539,00 € No. 61475	633,00 € No. 61490	770,00 € No. 61524	0.95/0.90	D
Red	539,00 € No. 61476	633,00 € No. 61491	770,00 € No. 61525	0.95/0.90	D
Blue-grey	539,00 € No. 61477	633,00 € No. 61492	770,00 € No. 61526	0.95/0.90	D
Light grey	539,00 € No. 61478	633,00 € No. 61493	770,00 € No. 61527	0.95/0.90	D
Yellow	539,00 € No. 61479	633,00 € No. 61494	770,00 € No. 61528	0.95/0.90	D
Green	539,00 € No. 61480	633,00 € No. 61495	770,00 € No. 61529	0.95/0.90	D
Petrol	539,00 € No. 61481	633,00 € No. 61496	770,00 € No. 61530	0.95/0.90	D
Dark blue	539,00 € No. 61482	633,00 € No. 61497	770,00 € No. 61531	0.95/0.90	D
Aubergine	539,00 € No. 61483	633,00 € No. 61498	770,00 € No. 61532	0.95/0.90	D
Weight	14.5 kg	17.3 kg	19.5 kg		

See brochure no. 1587 e Absorber

These are average price indications. Please contact your local OWA Representative or our Export Team in order to get your personal quotation.

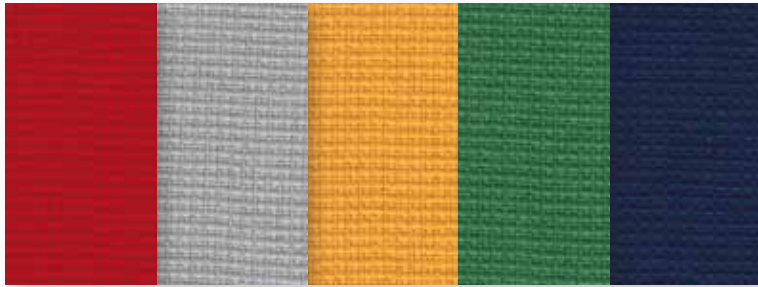
A photograph of a bright, white hallway with a tiled floor. Several mobile acoustic screens are positioned in the space. In the foreground, there are three tall screens: a yellow one on the left, a blue one in the middle, and a green one on the right. In the background, there are more screens, including a purple one and a grey one. A person is visible in the distance, walking through the hallway. A decorative lantern hangs from the ceiling. The walls are white with grey door frames and a red decorative line around the door openings.

Room acoustics on the move

Free space

As a mobile screen "Free Space" offers localised acoustic control and can be used to create notional meeting zones, separate desks or provide work stations in call centres, offices and foyers. Available in a range of colours and a choice of three standard sizes, "Free Space" is the ideal mobile partition solution.

Slim



Red

Light grey

Yellow

Green

Dark blue

Slim wall absorbers have a thin aluminium frame just 23 mm thick and come with fabric coverings in a choice of five colours.

Frame front	Slim 1 653 x 653 x 23 mm	Slim 2 1278 x 653 x 23 mm	Slim 3 2534 x 653 x 23 mm	Slim 4 1278 x 1278 x 23 mm	Slim 5 2534 x 1278 x 23 mm	α_w /NRC	Del. Cat.
Red	200,00 € No. 61550	241,00 € No. 61563	340,00 € No. 61569	339,00 € No. 61576	499,00 € No. 61582	0.50/0.65	D
Light grey	200,00 € No. 61552	241,00 € No. 61564	340,00 € No. 61570	339,00 € No. 61577	499,00 € No. 61583	0.50/0.65	D
Yellow	200,00 € No. 61553	241,00 € No. 61565	340,00 € No. 61571	339,00 € No. 61578	499,00 € No. 61584	0.50/0.65	D
Green	200,00 € No. 61556	241,00 € No. 61566	340,00 € No. 61572	339,00 € No. 61579	499,00 € No. 61585	0.50/0.65	D
Dark blue	200,00 € No. 61558	241,00 € No. 61567	340,00 € No. 61573	339,00 € No. 61580	499,00 € No. 61586	0.50/0.65	D
Weight	1.8 kg	2.8 kg	4.5 kg	3.8 kg	6.0 kg		

See brochure no. 1587 e Absorber

These are average price indications. Please contact your local OWA Representative or our Export Team in order to get your personal quotation.



Off-the-wall acoustics

Slim

With a choice of fabric colours, "Slim" wall absorbers provide a simple, easy to install and cost effective way to improve room acoustics and add visual interest at the same time.

Art



Frame front	Art 1 1200 x 800 x 30 mm	Art 2 1500 x 1000 x 30 mm	α_w /NRC	Del. Cat.
Printable fleece	up to 29 pce 244,00 €/pce	up to 29 pce 295,00 €/pce	0.70/0.65	B
Printable fleece	as of 30 pce 187,00 €/pce	as of 30 pce 232,00 €/pce	0.70/0.65	B
2x fleece*	up to 29 pce 333,00 €/pce	up to 29 pce 414,00 €/pce	0.70/0.65	B
2x fleece*	as of 30 pce 248,00 €/pce	as of 30 pce 325,00 €/pce	0.70/0.65	B

Delivery times following acceptance of your image

“Art” wall absorbers are manufactured with no visible frame and are only 30 mm thick, making them light and easy to install. Available in two standard sizes, Art wall absorbers come complete with a fixing pack.

To create your own performance “Art” select from a library of pictures or provide your own hi- res digital image. We will create your own “working” picture, logo or portrait ready to hang on your wall.

As a subtle way to introduce sound absorption using a visual medium, “Art” can be installed in spaces such as foyers, classrooms or meeting rooms. They are especially effective in areas where there are lots of hard surface such as restaurants or even art galleries!

* Please order two fleece layers (without any interference about acoustics) if the motif has a high amount of white colour or an unprinted area. Otherwise you will see the shape of the frame through the one layer of fleece.

See Brochure no. 1587 e Absorber

These are average price indications. Please contact your local OWA Representative or our Export Team in order to get your personal quotation.

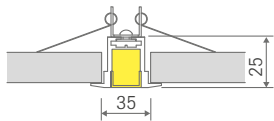
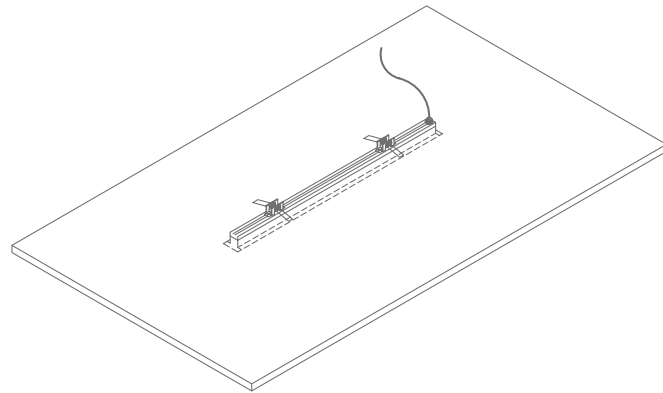
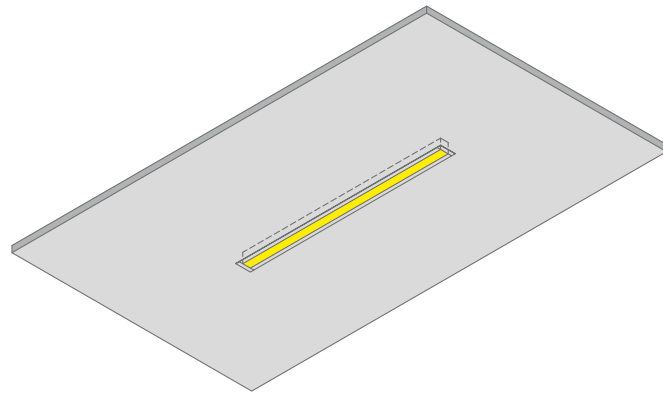


Leave your own
impression!

Art

Select from a library of images or provide your own digital pictures and we can print them onto your very own unique "Art" broadband wall absorbers.

OWAlumino



OWAlumino – LED cross tees for all OWA systems

	Product / component description	Units per pack	Price	Del. Cat.
1	OWAlumino LED light profile, 450 x 35 x 25 mm, anodised aluminium frame, opal-white plastic cover, ready-to-use power cord, cable length: 1200 mm, colour 4000 K, incl. 4 pcs. retaining clips, weight 320 g	1	152,00 €/pce	B
2	Transformers for OWAlumino, 24 V, 150 W, to be connected to a multi-plug	1	185,00 €/pce	B
3	Multi-plug, 6x, with open cable end to be connected to a transformer, length 200 mm	1	14,00 €/pce	B
4	Extension cord, plug-socket, length 2000 mm	1	6,00 €/pce	B
5	Dimmer, 12-24 VDC, dimmable 0-10 V/1-10 V	1	48,00 €/pce	B

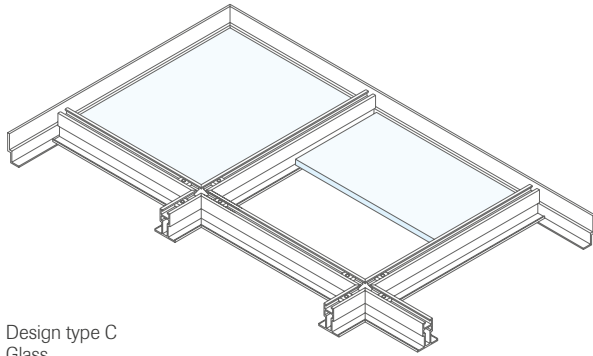
OWAlumino can be used for all OWAacoustic®/OWAconstruct® ceiling systems and is independent of the different edges. On that point you must cut out into the tiles onsite, install the light with surrounding frame and put 4 retaining clips on the backside of the tile. The connection depends on the number of the lights of OWAlumino with multi plugs, maybe extension cable for the transformer. Lighting calculations and installation guides will be created by OWAconsult® on request.

Modern light – individual design

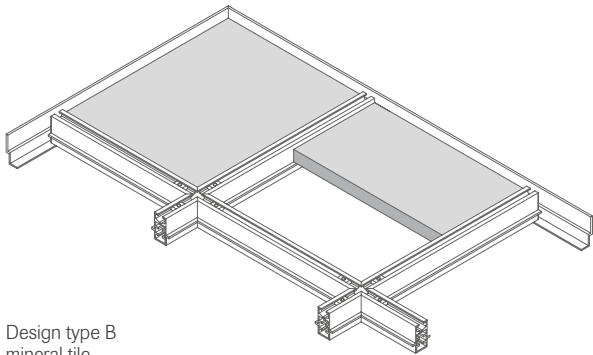
OWAlumino

This system completes the series of OWAlight. The advantage is that you can position OWAlumino regardless of an external profile. OWAlumino is compatible with all OWA systems and tile types and provides a pleasant light (close to daylight quality). The result is an attractive pattern on the ceiling and a variety of surface images.

Star



Design type C
Glass



Design type B
mineral tile

Glass tiles

All edges 3

The Star illuminated ceiling is constructed using our type C extruded aluminium suspension system and custom made laminated glass tiles. The visual effect can be stunning and is influenced by a number of factors such as the type and design of the glass, the ceiling height and the type, position and frequency of the lighting. The laminated glass tiles can be supplied in module size of up to 1000 x 1000 mm and can be used in combination with tiles from the OWAacoustic® mineral range.

Mineral tiles

All edges 3

Star B provides a high quality versatile accessible suspension system that can be used with any of the OWAacoustic mineral range of square edge (E3) ceiling tiles such as Bamboo (page 28), Creaprint (page 34) Molinari or Sinfonia (page 24). Use them individually or combine them together to create your own design.



Star – suspension system

As an extruded aluminium system Star is available in a number of formats and can be produced to suit your own module size. Star C, the illuminated system using laminated glass tiles, can be produced in module sizes up to 1000 x 1000 mm and Star B, for mineral tiles, in module sizes up to 1250 x 1250 mm. Available in RAL or NCS colours as well as an anodised finish, the systems are supplied as a kit ready to be assembled and include a layout plan and installation guide. For more information please see our brochure 410 or for more projects questions please contact OWAconsult at info@owaconsult.de
N.B. Illuminated ceiling should only be installed using Star system „C“.

A photograph of a gallery room with a grid ceiling and orange walls. The ceiling is made of a grid of dark grey aluminium profiles and white laminated safety glass. The walls are a warm orange color. Several framed artworks are displayed on the walls. The floor is dark wood. The lighting is soft and even, highlighting the art.

The ceiling that sees the light

Star

Look up at the sky and there is an expectation you will see the light, be it the moon, the stars or the sun. Our "Star" can bring that expectation to your interior environment by combining elegant aluminium profiles, modern lighting and made to measure, laminated safety glass. Used in conjunction with OWApplan and some creative lighting effects, "Star" is not just illuminating it can create an exciting, relaxing or even atmospheric space!

General information

Dimensions

The dimensions for the systems shown in this brochure are based on the „module“ size and actual tile measurements may differ.

Designs

Some designs shown in this brochure have been enlarged for clarity. Please ensure you are happy with your selection or if in any doubt request a sample to confirm it meets your requirements.

Colour

Tiles can be painted on site (see OWA-Installation Guide no. 801 E) or off-site by others but variations to shade and or sheen may occur that are due to factors outside our control. Where the we supply any painted, printed or other coloured products it is imperative that material from different batches/production times are not mixed together in the same areas.

Tiles and suspension systems

The „OWAconsult collection“ tiles and ceiling systems are part of the OWAacoustic® premium and OWAconstruct® product range portfolio and the test results and/or certification regarding fire resistance, reaction to fire classifications and acoustic performance levels are applicable.

Guide prices per m² ceiling

The guide prices quoted here include all listed construction parts and mineral tiles with the exception of wall connectors, which are selected based on the shape and size of the room. Methods of fixing and hanging from the supporting structure are different depending on structural features and fire protection regulations, and can vary widely. These costs must be calculated for each specific situation, and are therefore not included in the guide prices.

Components

All components shown in this brochure have been carefully selected for use with the OWAconsult® collection and should not be replaced or substituted with non OWA products without independent verification that they are compatible. Where the ceiling is to provide fire resistance, sound absorption, airborne sound reduction or any other tested criteria the certification will be invalidated if the OWA components used in the test are not used in the installation. For more information on fire and the construction tested using OWA ceilings please see our brochure 9500 eu e.

All products are sold in carton, pack or bundle quantities only.

Delivery categories

- A Delivery within 8 days,
no minimum order, no set up charges
- B Delivery in 2 to 3 weeks,
no minimum order, no set up charges
- C Delivery in 3 – 4 weeks,
minimum order of 100 m², set up charges on request (100 – 250 m²)
- D On request

Legal notice

Colours and textures may differ to those shown in this brochure due to the reproduction process. To ensure the product meets your requirements it is recommended that final selection is based on a physical sample and that the client verifies that it is suitable for the intended use. All technical information shown here and in all other OWA publication is based on tests carried out under laboratory conditions.

The information provided in this brochure is based on the standards and data available at the time of publication. Any performance, warranties or guarantees provided, expressed or implied, are subject to the exclusive use of OWA components and the installation of those components in accordance with our recommendations. Failure to adhere to these conditions will result in the invalidation of any performance claims, warranties or guarantees and rejection of any liability. OWA reserves the right to make any technical improvements in the products, systems or services without prior notice. All goods and services are supplied in accordance with our current Terms and Conditions of Sale. (E&OE)

OWAconsult® consulting service

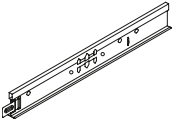
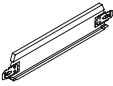
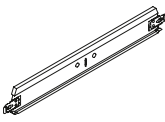
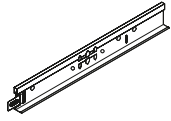
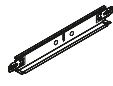

The OWAconsult® product hotline provides access to our team of experts who can provide free information and answers to any questions you have on the OWAconsult® collection.

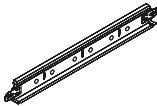

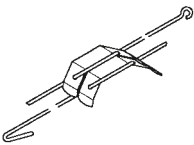

Hotline number +49 93 73 . 2 01-2 22

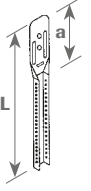
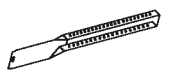
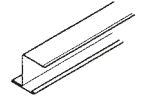
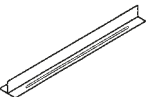
In addition to free telephone advice the OWAconsult® consulting service can prepare reflected ceiling plans, ceiling details and create graphic representation for OWAconsult® collection products as well as provide details of quantities required for the project.

The chargeable rates for these services, along with the provision of acoustic calculations (RT) training courses, fire resistance (expert opinions), CAD drawings, light calculations and other technical services are calculated at cost and are available from the OWAconsult® service.

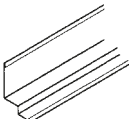
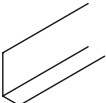
List of accessories



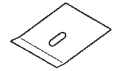
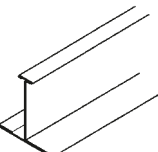
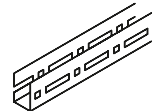
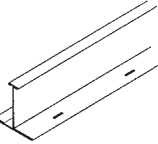
	Product no.	Product / component description	Units per pack	Price
	cliq-15-MR	Main tee height: 38 mm width: 15 mm length: 3000 mm, 3125 mm visible side: white	20 pieces	1,89 € / m
	cliq-15-CT	Cross tee, joggled height: 38 mm width: 15 mm length: 300 mm, 625 mm visible side: white	60 pieces 60 pieces	1,07 € / pce 1,89 € / m
	cliq-15-CT	Cross tee, joggled height: 38 mm width: 15 mm length: 1200 mm, 1250 mm visible side: white	60 pieces	1,89 € / m
	cliq-24-MR	Main tee height: 38 mm width: 24 mm length: 3600 mm, 3750 mm visible side: white	20 pieces	1,80 € / m
	cliq-24-CT	Cross tee, joggled height: 25 mm width: 24 mm length: 600 mm, 625 mm visible side: white	60 pieces	1,80 € / m
	cliq-24-CT	Cross tee, joggled height: 25 mm width: 24 mm length: 300 mm, 312.5 mm visible side: white	60 pieces	1,04 € / pce


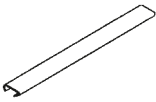



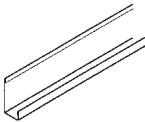
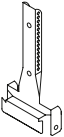
	Product no.	Product / component description	Units per pack	Price
	cliq-24-CT	Cross tee, joggled height: 32 mm width: 24 mm length: 1200 mm, 1250 mm visible side: white	60 pieces	1,80 € / m
	12/10	Adjustable lower hanger length: 110 mm width: 20 mm, galvanised maximum load: 0.15 kN	100 pieces	0,35 € / pce
	12/30/2	Adjustable hanger with double tension springs diameter: 4 mm maximum load: 0.25 kN max. range of extension: 270 mm, a wire overhang of at least 15 mm must be provided	100 pieces	0,31 € / pce
		Extension / upper hangers suitable for no. 12/10, galvanised, diameter 4 mm		
	14/12/2	length: 125 mm	100 pieces	0,08 € / pce
	14/25/2	length: 250 mm	100 pieces	0,10 € / pce
	14/37/2	length: 370 mm	100 pieces	0,13 € / pce
	14/50/2	length: 500 mm	100 pieces	0,19 € / pce
	14/75/2	length: 750 mm	100 pieces	0,24 € / pce
	14/100/2	length: 1000 mm	100 pieces	0,33 € / pce
	14/125/2	length: 1250 mm	100 pieces	0,38 € / pce
	14/150/2	length: 1500 mm	100 pieces	0,44 € / pce
	14/175/2	length: 1750 mm	100 pieces	0,55 € / pce
	14/200/2	length: 2000 mm	100 pieces	0,61 € / pce
	14/250/2	length: 2500 mm	100 pieces	0,87 € / pce
	14/300/2	length: 3000 mm	100 pieces	1,11 € / pce

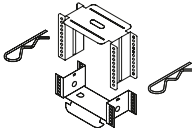
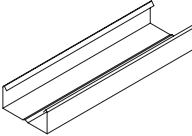
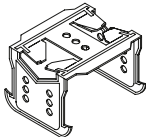
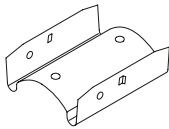
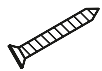

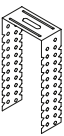

	Product no.	Product / component description	Units per pack	Price
		Nonius hanger suitable for no. 17/..., 79/..., 09/45 or 09/10, galvanised, longer extensions are available on request a = approx. 55 mm		
	16/15	L = approx. 140 mm, 170 mm punched	100 pieces	0,20 €/pce
	16/20	L = approx. 190 mm, 170 mm punched	100 pieces	0,24 €/pce
	16/30	L = approx. 290 mm, 170 mm punched	100 pieces	0,29 €/pce
	16/40	L = approx. 390 mm, 170 mm punched	100 pieces	0,31 €/pce
	16/50	L = approx. 490 mm, 170 mm punched	100 pieces	0,41 €/pce
	16/60	L = approx. 590 mm, 170 mm punched	100 pieces	0,50 €/pce
	16/70	L = approx. 690 mm, 170 mm punched	100 pieces	0,58 €/pce
	16/80	L = approx. 790 mm, 170 mm punched	100 pieces	0,63 €/pce
	16/90	L = approx. 890 mm, 170 mm punched	100 pieces	0,74 €/pce
	16/100	L = approx. 990 mm, 170 mm punched	100 pieces	0,81 €/pce
	16/110	L = approx. 1090 mm, 200 mm punched	25 pieces	1,10 €/pce
	16/120	L = approx. 1190 mm, 200 mm punched	25 pieces	1,20 €/pce
	16/130	L = approx. 1290 mm, 200 mm punched	25 pieces	1,27 €/pce
	16/140	L = approx. 1390 mm, 200 mm punched	25 pieces	1,36 €/pce
	16/150	L = approx. 1490 mm, 200 mm punched	25 pieces	1,51 €/pce
	16/160	L = approx. 1590 mm, 200 mm punched	25 pieces	1,60 €/pce
	16/170	L = approx. 1690 mm, 200 mm punched	25 pieces	1,69 €/pce
	16/180	L = approx. 1790 mm, 200 mm punched	25 pieces	1,78 €/pce
	16/190	L = approx. 1890 mm, 200 mm punched	25 pieces	1,89 €/pce
	16/200	L = approx. 1990 mm, 200 mm punched	25 pieces	1,99 €/pce
	17/10	Lower nonius hanger length: 190 mm galvanised maximum load: 0.40 kN	100 pieces	0,48 €/pce
	20	Z profile height: 21 mm width: 19 mm length: 3000 mm galvanised	25 pieces	1,28 €/m
	23	T profile height: 12.5 mm width: 10 mm length: 295 mm	250 pieces	0,40 €/pce


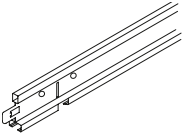
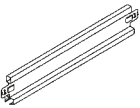
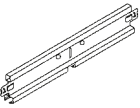
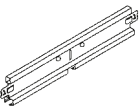
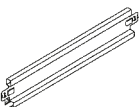
	Product no.	Product / component description	Units per pack	Price
	24	L profile height: 14 mm width: 10 mm length: 295 mm	200 pieces	0,36 €/pce
	25	Connector length: 150 mm	100 pieces	0,36 €/pce
	37	L profile for Trapeze 1 length: 1250 mm trim onsite	50 pieces	1,34 €/m
	42/15	Contura-blocks height: 8 mm width: 15 mm total width: 24 mm white	100 pieces	0,24 €/pce
	45	Main tee height: 38 mm width: 24 mm length: 3700 mm/3750 mm visible side: white visible side: Bamboo natural colour/dark	25 pieces 25 pieces	1,80 €/m 2,99 €/m
	46	Cross tee height: 32 mm width: 24 mm length: 600 mm/625 mm visible side: white visible side: Bamboo natural colour/dark	75 pieces 75 pieces	1,80 €/m 2,99 €/m


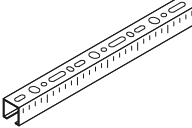

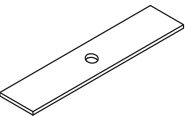
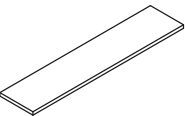
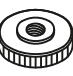
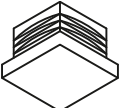
	Product no.	Product / component description	Units per pack	Price
	47	Cross tee height: 32 mm width: 24 mm length: 1200 mm/1250 mm visible side: white visible side: Bamboo natural colour/dark	50 pieces 50 pieces	1,80 €/m 2,99 €/m
	50G	Wall angle height: 24 mm width: 19 mm length: 3050 mm visible side: white visible side: Bamboo natural colour/dark	40 pieces 40 pieces	1,29 €/m 2,69 €/m
	50/15G	Shadow wall angle height: 33 mm visible width: 15 mm total width: 30 mm length: 3050 mm visible side: white	35 pieces	2,26 €/m
	50/19	Wall angle height: 38 mm total width: 30 mm visible width: 15 mm length: 3050 mm visible side: white visible side: Bamboo natural colour/dark	35 pieces 35 pieces	2,36 €/m 3,75 €/m
	51/22	Wall angle height: 50 mm width: 22 mm thickness: 0.7 mm length: 3000 mm visible side: white	10 pieces	5,47 €/m
	51/32G	Wall angle height: 32 mm width: 19 mm thickness: 0.5 mm length: 3000 mm visible side: white	30 pieces	1,34 €/m


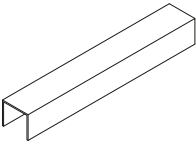
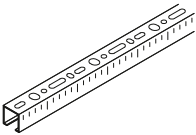


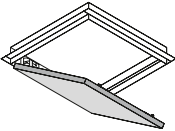
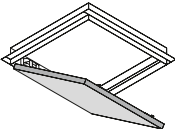
	Product no.	Product / component description	Units per pack	Price
	52	Wall spring clip width: 16 mm length: 110 mm bronzed	100 pieces	0,30 €/pce
	60	Wire clip length: 180 mm	500 pieces	0,26 €/pce
	62	Direct fix clip size: 50 x 55 mm galvanised	100 pieces	0,30 €/pce
	70	Primary tee profile height: 40 mm width: 40 mm length: 5000 mm galvanised	8 pieces	2,91 €/m
	70E	U profile height: 30.7 mm length: 3750 mm galvanised	10 pieces	2,56 €/m
	70/10	Primary tee profile with slots in table at 100 mm centre height: 40 mm width: 40 mm length: 3000 mm lower visual side: white	8 pieces	4,86 €/m

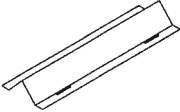

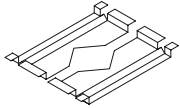


	Product no.	Product / component description	Units per pack	Price
	76	Safety pin for Nonius hanger length: approx. 70 mm thickness 3 mm galvanised	100 pieces	0,10 €/pce
	77	Connector length: 100 mm	100 pieces	0,27 €/pce
	91	Wood screw 5 x 25 mm galvanised	500 pieces	0,15 €/pce
	99/11/19 99/11/21 99/11/22 99/11/23	Contura plane for reforming contura edges on perimeter tiles planer for contura edge K 15, 15 mm boards planer for contura edge K 15, 20 mm boards planer for contura edge K 15b, 20 mm boards planer for contura edge K 15b, 15 mm boards		54,90 €/pce 54,90 €/pce 54,90 €/pce 54,90 €/pce
	99/24	Glue for fire protection and folding tiles 310 ml cartridge	12 pieces	6,14 €/pce
	1456	Wall angle height: 32 mm width: 15 mm length: 3050 mm upstand: 7.5 mm visible side: white	32 pieces	1,95 €/m
	1808	Replacement blades for planers	10 pieces	1,19 €/pce
	2001	Nonius hanger lower part for CD profile 60 x 27 mm length: 130 mm maximum load: 0.40 kN galvanised	100 pieces	0,63 €/pce

	Product no.	Product / component description	Units per pack	Price
	2002	Adjustable direct hanger adjustment range: 30 – 75 mm galvanised incl. 2 safety pins	100 pieces	1,21 €/pce
	2003	CD profile 60 x 27 mm length: 4000 mm	12 pieces	2,09 €/m
	2004	Cross connector height: 40 mm width: 60 mm depth: 45 mm galvanised	100 pieces	0,39 €/pce
	2005	CD profile connector height: 25 mm width: 60 mm length: 80 mm galvanised	100 pieces	0,26 €/pce
	2007	Screws	1000 pieces	0,04 €/pce
	2008	Screws for no. 51/22	bulk-packed	0,11 €/pce
	2012	U-shaped hanger for sloping installation suitable for no. 2003 length: 125 mm galvanised	100 pieces	0,32 €/pce
	2013	Nonius hanger for sloping installation suitable for no. 16/... 30 x 60 mm length: 170 mm galvanised	100 pieces	0,76 €/pce

	Product no.	Product / component description	Units per pack	Price
	2014	Glue, filling paste grey, 310 ml cartridge	12 pieces	6,14 €/pce
	3500CON	Main tee height: 41 mm width: 14.3 mm length: 3600 mm cross tee slots at 600 mm centres exterior: white, recess: white	20 pieces	4,01 €/m
	3501CON	Main tee height: 41 mm width: 14.3 mm length: 3600 mm cross tee slots at 1200 mm centres exterior: white, recess: white	20 pieces	4,01 €/m
	3512CON	Cross tee height: 41 mm width: 14.3 mm length: 600 mm exterior: white, recess: white	70 pieces	4,01 €/m
	3514CON	Cross tee height: 41 mm width: 14.3 mm length: 1200 mm exterior: white, recess: white with central cross tee slot	40 pieces	4,01 €/m
	3514CON S *	Cross tee height: 41 mm width: 14.3 mm Length: 1200 mm exterior: white, recess: white with press cut on one side	40 pieces	4,56 €/m
	3524CON	Cross tee height: 41 mm width: 14.3 mm length: 1200 mm exterior: white, recess: white without central cross tee slot	40 pieces	4,01 €/m

	Product no.	Product / component description	Units per pack	Price
	4437	Fire resistant tape 12 x 1.5 mm (where fire resistance is required) onsided self-adhesive	25 m roll	3,30 €/m
	7001	Slotted C profile length: 2000 mm colour: white	2 pieces	8,63 €/m
	7002	Hexagonal screws M 6 x 40 galvanised	100 pieces	0,07 €/pce
	7003	Rectangular fixing plate suitable for no. 7001 length: 100 mm width: 22 mm thickness: 2 mm colour: white	10 pieces	2,19 €/pce
	7003/1	Rectangular spacer plate suitable for no. 7001 length: 100 mm width: 22 mm thickness: 2 mm colour: white	10 pieces	2,19 €/pce
	7004	Knurled nut M 6 galvanised	100 pieces	0,54 €/pce
	7005	End cap for C profile plastic colour: white	100 pieces	0,09 €/pce

	Product no.	Product / component description	Units per pack	Price
	7006	Washer, 2.0 x 20 mm with drill hole M 6 galvanised (for suspended installation)	100 pieces	0,05 €/pce
	7007	Connector 20/23/20 x 150 mm galvanised for C profile	loose parts	5,75 €/pce
	8000	Slotted C profile length: 1200 mm colour: white	2 pieces	11,19 €/pce
	8021	Threaded rod M 6 diameter: 6 mm length: 1000 mm galvanised (for suspended installation)	100 pieces	1,32 €/pce
	8022	Connecting sleeve M 6 length: 30 mm galvanised	100 pieces	0,59 €/pce
	8031/4	Comfort access trap for OWAplan ceilings 340 x 340 mm (external dimension) Attention: additional suspension required (see OWAplan Comfort access trap installation guide)	loose parts	179,66 €/pce
	8031/5	Comfort access trap for OWAplan ceilings 540 x 540 mm (external dimension) Attention: additional suspension required (see OWAplan Comfort access trap installation guide)	loose parts	193,26 €/pce

	Product no.	Product / component description	Units per pack	Price
	8040	Reinforcing spline 1189 mm zinc galvanized	25 pieces	1,76 €/m
	8041	Fixing clip for no. 8040 (8 pieces per tile)	250 pieces	0,22 €/pce
	8069/6	Pattress for OWAplan consisting of frame components (2 pieces) length: 340 mm	loose parts	34,28 €/pce
	10014	Nut M 6 galvanised (for suspended installation)	100 pieces	0,06 €/pce
	99508	Joint tape < 5 x 8 mm, on-sided self-adhesive roll at 10 m	10 m	0,47 €/m

List of packaging

Tile type	Dimension (mm)	Thickness (mm)	Package content (pieces)	Package content (m ²)	Package weight (approx. kg)	Packaging
Standard formats	600 x 600 overall	15	10	3.60	19	Foil
	600 x 600 edge 3	15	12	4.32	22	Foil
	625 x 625 overall	15	10	3.90	20	Foil
	625 x 625 edge 3	15 20	12 8	4.69 3.12	24 20	Foil Foil
	1200 x 600	15 20	8 8	5.76 5.76	30 39	Foil Foil
	1250 x 625	15 20	10 8	7.80 6.25	41 42	Foil Foil
	Rectangular formats	1200 x 300	15 20	10 8	3.60 2.88	19 20
2000 x 312.5		15 20	10 8	6.30 5.00	33 34	Foil Foil
2500 x 312.5		15 20	10 8	7.80 6.30	41 42	Foil Foil
Large format tiles	1200 x 1200	20	6	8.64	58	Foil
	1250 x 1250	20	6	9.38	63	Foil
Excell	600 x 600	20	7	2.52	14	Cardboard
	625 x 625	20	7	2.73	13	Cardboard
OWAplan	1200 x 800	20	6	5.76	40	Cardboard
	2400 x 1200	20	30*	86.40	605	Foil/Pallets

* on one pallet

Packaging regulations / Return of packaging

To meet the requirements of the packaging regulations we concluded a waste disposal contract with the INTERSEROH AG Cologne. Associated the return of our sales packaging is guaranteed. PE film (shrink- wrapped), one-way wooden pallets.

Our number of contract with INTERSEROH: no. 27681

For implementation of the current packaging regulations please get in touch with your next INTERSEROH partner. For any further questions please do not hesitate to contact us.



Thinking ahead: OWAconsult®

OWAconsult was founded in 2009 as an independent consulting and planning unit of Odenwald Faserplattenwerk GmbH. OWAconsult sees itself as a competence centre for dry interior construction, specialising in room acoustics, fire protection and ceiling systems. OWAconsult invites its customers to keep thinking further, together; to open up new architectural worlds and to breathe life into their visions. A telephone advice hotline offers instant access to our experts.



Hadi Teherani

Hadi Teherani AG based its range of services on the holistic philosophy of its founder, and works in the disciplines of product design, interior design and communication. Hadi Teherani develops and designs ground-breaking products and solutions for customers in every industry. Teherani's product designs are exciting, innovative and full of architectural passion.

OWA in Amorbach: Ceiling system manufacturer and acoustics specialist

Odenwald Faserplattenwerk GmbH is a family-run business with around 440 employees. The company is a market leader in mineral ceiling tiles in Germany, and over the decades has grown to become an internationally sought-after provider of system solutions for ceilings. Around 70 % of production is intended for export to around 80 different countries currently. OWA products carry quality and environmental seals from national and international standards and testing institutions.



Terms and conditions of sale, delivery and payment

Odenwald Faserplattenwerk GmbH | OWA Vertrieb Mitte GmbH |
OWA Vertrieb Süd GmbH | OWA Vertrieb SüdWest GmbH & Co. KG

1. General information, offer, order and contract conclusion

(1) All seller offers, order acceptances and all deliveries and services are provided based exclusively on the following terms and conditions. These terms and conditions also apply for all future and similar transactions with the buyer. Deviating buyer terms and conditions of purchase are hereby expressly excluded. These only apply if the seller acknowledges them in writing.

(2) All orders, ancillary agreements, provisos, changes or supplements to a contract must be made in writing to be considered valid. Verbal or written confirmations that deviate from the contractual conditions and/or the seller's order confirmation require the consent of the seller's executive bodies or the proper number of authorised signatories to be considered valid. This consent is only effective in writing. Apart from this, the seller's office and field staff are not authorised to reach deviating agreements or to grant special conditions.

(3) The seller's offers are subject to change without notice. A sale, delivery or other contract only enters into force once the order confirmation is sent or by the delivery of the goods to the buyer.

(4) All information on the seller's products, especially including the images, drawings, measurements and performance details are considered to be approximate average values. They are not a guarantee for the quality of the goods, but merely represent a description. This also applies for samples and models. Deviations that are considered customary in the industry are permitted, unless the order confirmation specifies the relevant information as binding. Excess or short deliveries that are taken into account in the calculation may occur to a customary permitted amount of 10 %.

(5) The seller retains the property rights and copyrights to images, drawings, calculations and other documents as well as samples and models. They may only be provided to third parties if the seller has provided their express consent.

(6) If the seller advises the customer free of charge, this shall not result in the conclusion of a contractual or other legal relationship between the buyer and the seller with respect to the consulting services provided to the buyer. The same applies if the seller provides free information or recommendations to the buyer. Any deviating agreements must be made in writing. The tacit conclusion of a contract with respect to consulting, recommendations or the provision of information is excluded.

(7) Advice, recommendations or information provided to the seller during the contract negotiations or when initiating an order or contract are only binding for the seller if they have been confirmed in writing.

2. Pricing and packaging

(1) The relevant applicable prices in the seller's price list on the day of delivery apply, unless a fixed price has been expressly agreed. The prices quoted are net prices, not including value added tax or discounts. The fixed prices apply for four months from contract conclusion. If longer delivery periods are agreed or if the buyer is responsible for a later delivery and changes to material, energy, wage or other general prime costs occur, the general sales prices applicable at the time of delivery shall apply.

(2) All prices are quoted ex seller factory and warehouse. Packaging material is quoted at cost and not taken back, with the exception of reusable pallets, which are taken back without remuneration.

(3) If carriage paid deliveries are agreed, all prices are quoted in euros per sales unit plus statutory value added tax, before unloading, carriage paid ex warehouse or accessible construction site on the German mainland. A lump-sum freight charge shall be levied on small quantities. A lump-sum for installation costs is levied for small quantities of assignment goods. The applicable rates are provided in the current price lists.

(4) The buyer must pay any handling charges, transport charges and customs duties in advance and in full in line with the applicable prices. Cost changes for handling and transport costs and customs duties that occur after the conclusion of the contract shall occur in favour of or at cost to the buyer.

3. Payments

(1) Payments are to be effected net cash without any reduction to the seller's paying office and are due immediately after invoicing. An express agreement must be reached for discounts for cash payments. Each contract party is entitled to provide evidence of damages as a result of default in excess of the statutory framework.

(2) Bills of exchange and cheques are only accepted based on an express agreement and on account of performance. Discount, collection or other charges shall be borne by the buyer.

(3) If payment in a foreign currency is agreed, the buyer is obliged to make the payment in the agreed currency. If the value of the purchase price in the foreign currency decreases compared to the domestic currency between the contract conclusion and the receipt of payment by the seller, the buyer must compensate the difference.

(4) The buyer may only offset claims which are undisputed or legally binding and may also only assert their rights of retention in this regard. Any retention of payment is excluded if the retention claim is based on another contractual relationship.

(5) All receivables shall become payable in the case of suspension of payment, application for the commencement of an insolvency proceeding or the commencement of insolvency proceedings on the buyer's assets. Discounts and bonuses shall be waived. If, after the conclusion of the contract, it turns out that the buyer's financial circumstances do not allow for the granting of credits or terms of payment, the seller may request the provision of collateral or the prepayment of all receivables and withhold the fulfilment of the contract until this has been provided. If the provision of collateral or prepayment does not take place in a timely manner, the seller may withdraw from the contract or demand compensation due to non-fulfilment.

4. Delivery

(1) The delivery and service periods shall be complied with by the seller wherever possible. However, deadlines are only considered to be approximations.

(2) The delivery periods commence on the date that order confirmation is provided by the seller. They are deemed to be complied with on the announcement of the readiness for dispatch, if dispatch is not possible for reasons for which the seller is not responsible. If the goods are collected by the buyer, the delivery periods and deadlines relate to the time at which the seller has announced that the goods are ready for dispatch. The agreed delivery periods and deadlines shall be extended by the period for which the buyer is in default for this or any other contract, regardless of the seller's rights as a result of a default by the buyer. We shall reserve the right to make the delivery ourselves.

(3) The seller shall issue the invoice for the delivered goods on delivery. If the buyer does not receive the invoice directly after delivery, the buyer is obliged to notify the seller of this within 8 days of delivery. If this does not occur, discounts for early payment or other reductions can no longer be provided.

(4) If the seller falls in arrears, the buyer must grant the seller an appropriate grace period of at least 30 days. On expiration of the grace period the buyer may withdraw from the contract, unless it has been indicated that the goods are ready for dispatch prior to the expiration of the grace period.

(5) In the event of war, strikes, lock-outs, a shortage of raw materials or energy, business or transport disruptions, orders from higher authorities and all other cases of force majeure, regardless of whether they occur for the seller, their suppliers or carriers, for which the seller is not responsible and which impacts the execution of the affected transaction, or makes the transaction impossible, the seller's delivery period shall be extended by the period of the delay plus an appropriate start-up period. The seller shall immediately notify the buyer of these kinds of delays. If these circumstances make it impossible or unreasonable for the seller to complete the delivery or service, they are entitled to withdraw from the contract, either in part or in full, without entitling the buyer to any compensation as a result.

5. Transfer of shipping and risk

(1) The shipping and transport takes place at cost and risk to the buyer. Goods that are ready for dispatch at the agreed date must be retrieved immediately. Otherwise the seller is entitled to store the goods at their discretion and at cost and risk to the buyer and invoice the goods as delivered.

(2) The risk, including the risk of seizure, transfers to the buyer when the goods are transferred to the carrier or freight forwarder, however no later than on leaving the factory or the warehouse. This also applies if partial deliveries take place or the seller has also assumed other services, e.g. the shipping costs or delivery.

6. Defect examination and warranty

(1) The buyer must inspect the goods immediately after receipt, however at least prior to installation or processing, and provide written notification of any defects to the seller. The buyer's duty to examine the goods extends to the entire delivery. The delivery is deemed to be executed in accordance with the contract if a notice of defect is not provided in a timely manner. The same applies for incorrect delivery and quantity deviations that are not covered by Profile 1 (4).

(2) The buyer bears the burden of proof for the fact that the goods were defective prior to the transfer of risk. In particular, this applies if the buyer does not notify the seller of defects immediately after receipt of the goods.

(3) Warranties or the assumption of a procurement risk must be expressly agreed as such. Qualities that the buyer can expect based on public statements made by the seller or their agents, especially in advertising or the identification of certain item qualities, are only included in the agreed quality of the goods if they have been expressly agreed between the parties. Agreements of the type mentioned above are only effective in written form.

(4) Insignificant defects, especially slight colour and structural differences and negligible deviations in length, width and thickness of the delivered material, do not entitle the buyer to issue a notice of defects.

(5) In the case of a correct and justified notification of defects, the seller is entitled to deliver a replacement or improve the original goods at their discretion, free of charge. If the replacement delivery or improvement fails twice, the buyer is entitled to reduce the purchase price or withdraw from the contract. In the case of withdrawal from the contract, in the event of the deterioration or the loss of the goods, the buyer must also compensate the seller if neither the buyer nor the seller were responsible for the deterioration or the loss. We refer to the statutory regulations with regard to the assertion of compensation claims as a result of defects, subject to the exclusion and limitation of liability specified in Profile 7.

(6) The correct storage and treatment of the delivered goods is a condition for the buyer's compensation claims. The seller has the option of inspecting the goods for which the notification of defects has been provided. All claims for defects shall become null and void if this does not take place and if the buyer does not immediately make the defective goods available to the seller on their request.

(7) If the delivered goods have been used for a building in line with their intended use and has caused a defect in the building, the warranty period shall remain in place for five years from the time the goods are transferred. In all other cases, the warranty period amounts to a year from the time the goods are transferred. The statutory period of performance applies if a defect was fraudulently concealed.

(8) The carrier must be informed of any transport damage. The reporting obligations of the Allgemeinen Deutschen Speditionsbedingungen (ADSp – Standard German Freight Forwarders Terms and Conditions) apply in this regard.

7. Liability

(1) The seller is liable for loss of life, personal injury or damage to health in the event of slight negligence. Likewise, the seller is liable for the violation of contractual duties, which are essential in order to achieve the purpose of the contract (cardinal obligations) in the event of slight negligence. Apart from this, the seller is solely responsible for intent and gross negligence in terms of their contractual and non-contractual liability. This particularly applies in the event of compensation due to a violation of duties, delay in delivery (default), compensation in lieu of performance, reimbursement of futile expenditure and unlawful actions or product liability, with the exception of any liability in accordance with the Produkthaftungsgesetz (Product Liability Act). Even if the seller provides a warranty or takes on a procurement risk, they shall only be liable in the event of intent or gross negligence, unless otherwise specified in the contractual agreements.

(2) The seller is only liable for typical contractual and foreseeable damage. This limitation of liability does not apply if legal representatives or the seller's executives are responsible for intent or gross negligence or if the liability relates to the loss of life, personal injury or damage to health.

(3) With the exception of liability due to intent or the loss of life, personal injury or damage to health, compensation claims shall lapse within two (2) years of the date at which the customer was made aware of the circumstances justifying the claim and the seller as the party responsible for providing the compensation, or should have been made aware of this in the absence of gross negligence, unless a shorter period of limitation is prescribed by law or based on other contractual provisions. § 199 (2) and (3) BGB (German Civil Code) applies for all other matters in this respect.

(4) The seller is only liable for advice, recommendations or information if the buyer and the seller have concluded a contract that involves the advice, the recommendation or the information, or the seller is liable for the advice, the recommendation or the information from the perspective of unlawful actions or fault on conclusion of the contract. Apart from this, the seller's liability for advice, recommendations and information is based on Profile 7 (1) to (3).

(5) The liability provisions pursuant to Profile 7 (1) to (4) also apply for the seller's employees as well as subsidiaries and branches.

8. Reservation of title

(1) The seller reserves the right to retain ownership of the goods they deliver until the buyer has paid all future receivables from the business relationship. In the case of deliveries on current account, the reservation of title serves as security on the balance.

(2) The buyer is entitled to resell the purchased goods as part of their ordinary course of business. All receivables from the resale of goods under reservation of title (goods subject to reservation), including all demands relating to the current account, are hereby assigned to the seller in full. In derogation of this, buyer receivables from the resale of goods subject to reservation together with third party goods for a total price shall be assigned to the seller in proportion to the invoice value of the goods subject to reservation. Likewise, compensation claims from insurance companies or third parties due to damage or the loss of goods subject to reservation are hereby also assigned to the seller.

(3) The combination, processing, assembly or other utilisation of goods subject to reservation shall take place on behalf of the seller, however without any obligations attributable to the seller. If the goods subject to reservation are processed, combined or mixed with goods owned by third parties, the seller shall obtain joint ownership of the new good or the mixed item in proportion to the invoice value of the goods subject to reservation to the invoice value of the other goods used. If the seller's ownership of the goods subject to reservation expires due to combination or mixing, it is hereby agreed that the

buyer's resulting ownership or joint ownership of the processed item shall transfer to the seller in proportion to the invoice value of the goods subject to reservation. The buyer shall store the items jointly owned by the seller for the seller free of charge. Goods for which the seller is entitled to the above-mentioned right of ownership shall be deemed to be goods subject to reservation in terms of this Profile 8.

(4) The seller shall grant a revocable right to the buyer to collect the receivables assigned to the seller for the seller's account in their own name. This collection authorisation may only be revoked if the buyer does not properly fulfil their payment obligations.

(5) If the realisable value of the collateral provided to the seller exceeds the secured receivable by more than 20%, the seller is obliged to release collateral at their discretion at the buyer's request.

(6) If the buyer violates the contract, especially in the case of default of payment, the seller is entitled to withdraw from the contract and reclaim the goods subject to reservation. In this case, the seller is entitled to invoice the buyer for a lump-sum of 15% of the order value for costs associated with the reclamation, unless the buyer can prove that the no/lower costs accrued for the seller as a result of the reclamation of the goods.

(7) The buyer is not entitled to pledge or assign the goods subject to reservation as security until they have discharged all their outstanding liabilities to the seller. In case of third party access to the goods subject to reservation, especially in the event of pledging, the buyer is obliged to notify the third party of the seller's right of reservation and to immediately inform the seller of a pledge, insolvency proceedings or other legally relevant incidents that could impact on the seller's rights to the goods subject to reservation. In the event of the suspension of payment, the goods subject to reservation must be withdrawn without special request and held at the ready for the seller.

9. Partial deliveries

The seller is entitled to make an appropriate amount of partial deliveries; each partial delivery is considered to be a separate transaction.

10. Place of fulfilment and place of jurisdiction

(1) The place of fulfilment for the delivery is the relevant loading station. The place of fulfilment for payments is Amorbach.

(2) The place of jurisdiction for any disputes from the contractual relationship, including proceedings relating to bills of exchange and cheques, is Amorbach provided that the buyer is a merchant, a legal person governed by public law or a special fund under public law.

(3) The law of the Federal Republic of Germany is applicable for all legal transactions between the seller and the buyer. The UN Convention on Contracts for the International Sale of Goods (CISG) and any other international conventions are not applicable, even after incorporation into German law.

11. Partial invalidity

If one of the above provisions or a part thereof is or becomes invalid, or if the contract contains a loophole, this shall not affect the validity of the remaining provisions. In case of the invalidity of individual provisions, the parties shall undertake to work together to replace this provision with a regulation that most closely resembles the economic success of the regulation provided.

(Dated 01/2011)

Errors excepted!

Please kindly request the terms and conditions of sale, delivery and payment of your country.

Notes

Notes



Odenwald Faserplattenwerk GmbH
Dr.-F.-A.-Freundt-Straße 3 | 63916 Amorbach
tel +49 93 73.2 01-0 | info@owa.de
www.owa-ceilings.com

