

## MECHANICAL OPENING SYSTEM FOR POWER FAILURE

**MECHANICAL OPENING SYSTEM FOR POWER FAILURE by pressure springs that balance the weight of the sheet.**

The mechanical opening system for a power failure from Angel Mir consists of a system allowing the door to be opened with no need of electrical current up to a height for people to pass through.

For doors Instant Roll ECO and Mirflex until 3.000 x 3.000 mm.  
 Maximum opening: 2.000 mm height.

### OPERATION

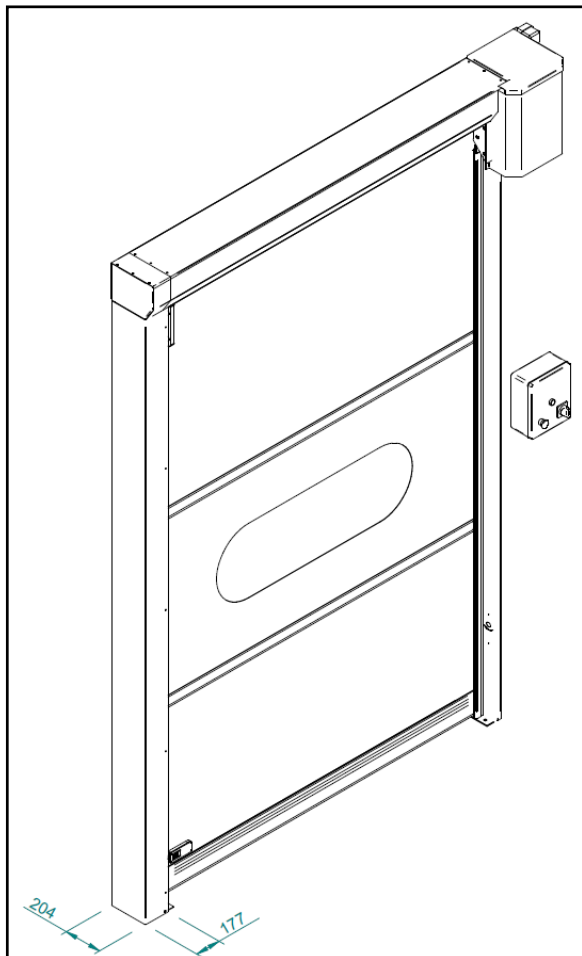
Two types:

- **Manual operation:** when the motor unlocking system is driven, the springs open the canvas of the door up to a height for people to pass through.
- **Automatic operation:** when there is no power, the engine brake is released and the springs raise the canvas of the door up to a height for people to pass through.

The system has a lid that protects and conceals the system and which is manufactured in the same material of the guides.

### SIZES OF THE FOOT WITH THE MECHANICAL OPENING SYSTEM

**Mirflex**



**Instant Roll ECO**

