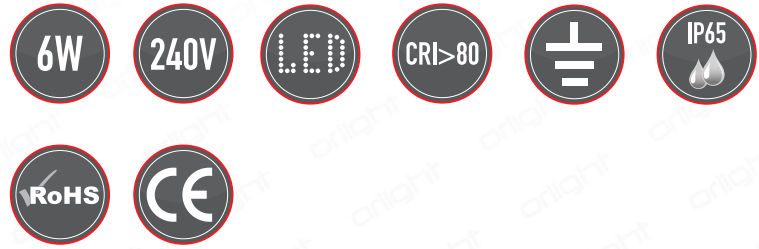


ORLWPS9-LED - 1ft Surface Mounted Bulkhead

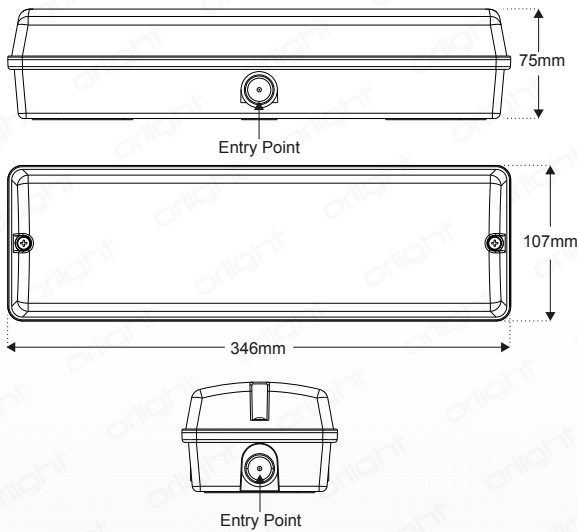
Description

Orlight's surface mounted bulkhead is the ideal amenity fixture for back of house areas, car parks, storage areas, warehousing, walkways and general industrial use. Rated to IP65 with an injection moulded polycarbonate body and diffuser.

Standards



Dimensions



Specifications

Mount Type	Wall - Surface
Control Option	Mains
Chipset	SMD LED Chipset
Power Consumption	6W
Voltage	220-240V 50/60Hz
Colour Temperature	4000K
Light Output ~	600lm
lm Per Watt ~	100lm/W
CRI	>80
Operating Temperature	0-40°C
IP Rating	IP65
Weight	471g
Finish	White

Colourmetrics

4000K

R1	R2	R3	R4	R5	R6	R7	R8
75	76	75	77	76	68	81	67
R9	R10	R11	R12	R13	R14	R15	
0	41	77	46	74	86	71	

Product Coding: Example: ORLWPS9-LED

CODE

ORLWPS9-LED