

ORLPNDE27LS - E27 LED Lamp Shade Pendant

Description

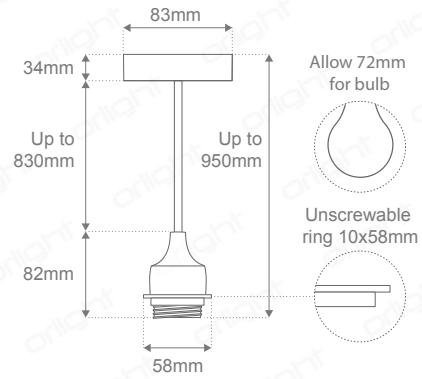
The ORLPNDE27LS is an unobtrusive lamp pendant designed for mains connection. It sits stylishly at the base of the E27 lamp and comes equipped with braided flexible wiring, of customisable lengths, and a durable ceiling rose. Its efficient design allows for unscrew-rescrew lamp shade application. Both the rose and pendant are constructed from silicone and boast a matte finish. The pendant is compatible with the TDE27LED lamp, available in 3000K and 4000K, which provides up to 500 lumens of light output with only 5W of power consumption. Equivalent of a 40W incandescent.



Standards



Dimensions



Specifications

Lamp Base	E27
Power Consumption	Lamp Dependant
Finish	Matt White

Product Coding: Example: ORLPNDE27LS

CODE

ORLPNDE27LS

Suggested Lamp - TDE27LED - (NOT INCLUDED)



Retrofit E27 - GLS LED Lamp. 240V Input - Switched. Light quality assurance with CRI greater than Ra: 80.

500 Lumen E27 Lamp.

Available in 3000K, 4000K & 5000K.

PRODUCT CODES

TDE27LED-3000K

TDE27LED-4000K

TDE27LED-5000K