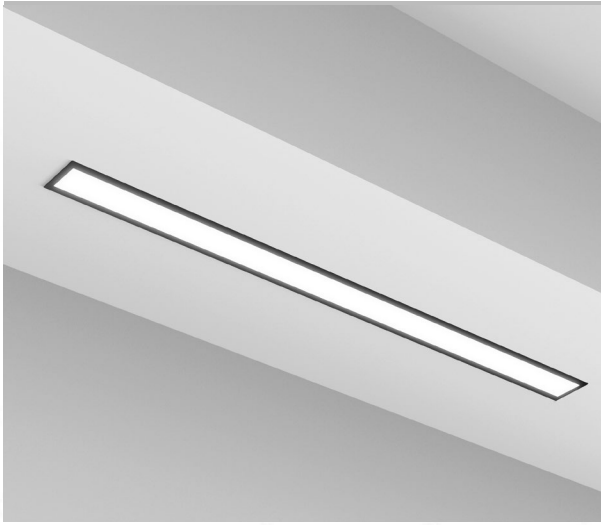


ORLINERC - Recessed Linear Light

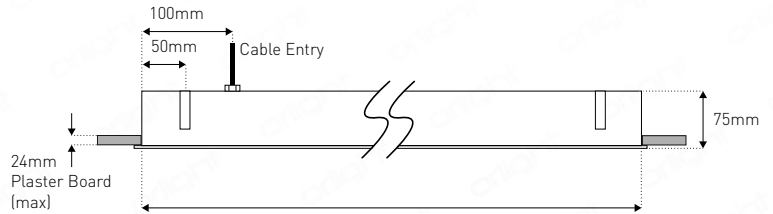


Description

This linear lighting product offers the perfect solution for locations that require robust and versatile fixtures. Designs can provide isolated individually spaced modules, continuous lines of light or custom shaped configurations for feature lighting. Featuring integral tridonic control gear and CRI>80 to ensure light quality. Bespoke configurations available upon request - for example corner, square, rectangular, cross and circular shapes.

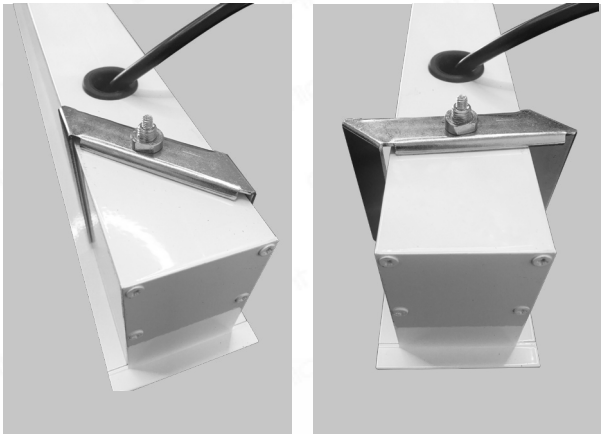
Do not connect battery supply until 220/240 A.C. supply is permanently fed and lamp fitted. Allow 24 hours charge before running lamp in emergency mode.

Dimensions



See Cut Length Matrix On Page 2

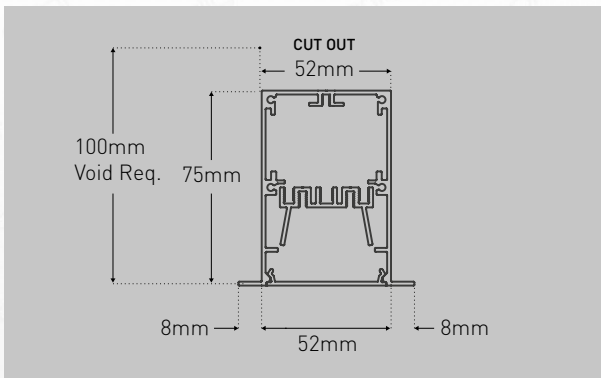
Fixing Details



Specification

Chipset	TRIDONIC SMD Chipset
Voltage	110-240V
Driver	Integral - Tridonic PSU
Dimming Options	Switched; DALI (DT6); DSI; SwitchDIM; Corridor Function
Constant Current	500mA
Beam Angle	120°
Binning	3 Step MacAdams Ellipse
Emergency	3 Hour Maintained Emergency (Minimum length 1160mm)
CRI	>80
Finish	White - (RAL9016); Black - (RAL9005); (Bespoke RAL Colours Available Upon Request)

Section & Finishes



Black (RAL9005)



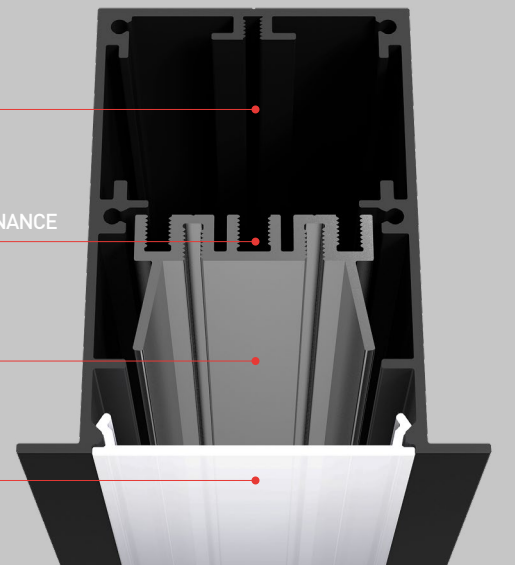
White (RAL9016)

CONTROL GEAR LOCATION

DETACHABLE HEATSINK FOR MAINTENANCE

LED CARD LOCATION

OPAL POLYCARBONATE DIFFUSER



Specification

Colour Temp.	Watts Per Metre	Lumens Per Metre	Lumens Per Watt	Lumens per Metre in Emergency
3000K	23.5 W/m	1937lm	82 lm/W	362 lm
4000K	23.5 W/m	2027lm	86 lm/W	381 lm
5000K	23.5 W/m	2060lm	88 lm/W	388 lm

Lumen Maintenance	Tp Temperature	L70/F10
500mA	45°C	>60,000h
	55°C	>60,000h
	65°C	>60,000h
	75°C	49,000

Standard Straight Lengths and Cut-Out (Bespoke Configurations TBC upon Request)

CUT LENGTH (MM)							
320 (Non-EM)	2210	4100	5990	7880	9770	11660	13550
390 (Non-EM)	2280	4170	6060	7950	9840	11730	13620
460 (Non-EM)	2350	4240	6130	8020	9910	11800	13690
530 (Non-EM)	2420	4310	6200	8090	9980	11870	13760
600 (Non-EM)	2490	4380	6270	8160	10050	11940	13830
670 (Non-EM)	2560	4450	6340	8230	10120	12010	13900
740 (Non-EM)	2630	4520	6410	8300	10190	12080	13970
810 (Non-EM)	2700	4590	6480	8370	10260	12150	14040
880 (Non-EM)	2770	4660	6550	8440	10330	12220	14110
950 (Non-EM)	2840	4730	6620	8510	10400	12290	14180
1020 (Non-EM)	2910	4800	6690	8580	10470	12360	14250
1090 (Non-EM)	2980	4870	6760	8650	10540	12430	14320
1160	3050	4940	6830	8720	10610	12500	14390
1230	3120	5010	6900	8790	10680	12570	14460
1300	3190	5080	6970	8860	10750	12640	14530
1370	3260	5150	7040	8930	10820	12710	14600
1440	3330	5220	7110	9000	10890	12780	14670
1510	3400	5290	7180	9070	10960	12850	14740
1580	3470	5360	7250	9140	11030	12920	14810
1650	3540	5430	7320	9210	11100	12990	14880
1720	3610	5500	7390	9280	11170	13060	14950
1790	3680	5570	7460	9350	11240	13130	15020
1860	3750	5640	7530	9420	11310	13200	15090
1930	3820	5710	7600	9490	11380	13270	
2000	3890	5780	7670	9560	11450	13340	
2070	3960	5850	7740	9630	11520	13410	
2140	4030	5920	7810	9700	11590	13480	

Product Coding: Example: ORLINERC-WH-4K-1.44-DALI-EM

CODE	FINISH	COLOUR TEMPERATURE	LENGTHS	DIMMING OPTIONS	EMERGENCY OPTION
ORLINERC	WH-(WHITE RAL9016)	3K	X - (See Table Above)	- (SWITCHED)	EM - EMERGENCY
	BL-(BLACK RAL9005)	4K		DALI	
		5K		DSI	
				CORRIDOR FUNCTION	