

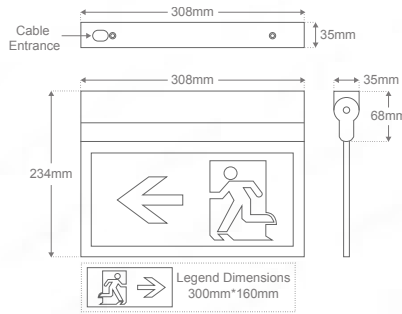
ORLEXTCW - Surface Mounted Emergency Exit Sign



Description

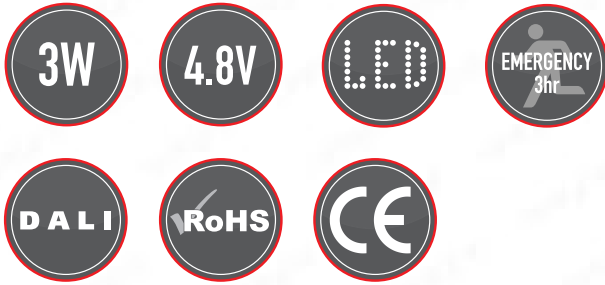
Our stylish ORLEXTCW is a double-sided LED exit sign that can be seen clearly from a 25m viewing distance and can be mounted on both walls and ceilings. The legend is manufactured using an acrylic panel that provides good visibility through even light distribution. Requiring a small amount of maintenance during its long life cycle, aside from regular testing procedures, the legend also holds a full three hours of output in emergency mode.

Dimensions



Includes Full Legend Set

Standards



Specifications

Emergency Type	3 Hours Maintained / Non-Maintained
Mount Type	Ceiling - Surface
Chipset	SMD LED Chipset
Legend Supplied	Down Arrow; Left Arrow; Right Arrow; Up Arrow
Power Consumption	3W
Voltage	4.8V (Input)
Colour Temperature	6000K
Light Output ~	30lm
lm Per Watt ~	10lm/W
CRI	>80
Binning	4 Step MacAdams Ellipse
IP Rating	20
Weight	-
Finish	White

Colourmetrics

6000K

Product Coding: Example: ORLEXTCW

CODE

ORLEXTCW

DIMMING OPTION

DALI