

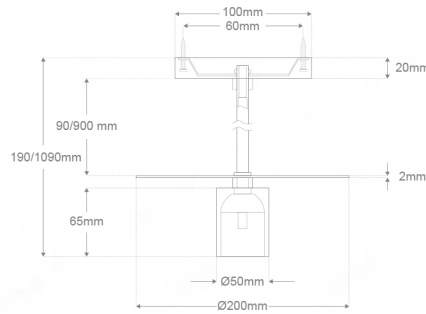
ORLCL1015 - Riverside Pendant



Description

This elegant pendant fitting finished in polished brass is suitable for any upscale interiors or elegant areas, lobbies and atriums. Suggested light source is a stylish E27 LED filament light source that produces a bold glow using only 6 watts, with a CRI>80 to ensure light quality.

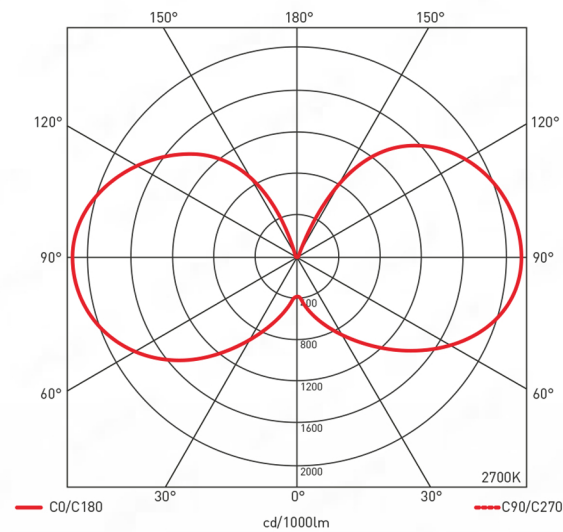
Dimensions



Standards



Polar Report



Specifications (Suggested Lamp)

Lamps	E27 Lamp (Supplied Separately - Dimmable)
Dimming Options	Switched
Power Consumption	6W
CRI	>80
Light Distribution	Wide
Colour Temperature	2700K
Light Output ~	720lm
lm Per Watt ~	120lm/W
Binning	2 Step MacAdams Ellipse
Chip Life	L70 >30 000hrs

Lighting Specifications

Voltage	Max 240V
Beam Angle	290
Anti-Glare	No
IP Rating	20
Installation Info	Surface Mounted
Weight	972g
Finish	Polished Brass

Colourmetrics

2700K

R1	R2	R3	R4	R5	R6	R7	R8
79	89	98	79	78	86	84	59
R9	R10	R11	R12	R13	R14	R15	
8	75	77	65	81	99	71	

Product Coding: Example: ORLCL1015-BR-190-2700K

PREFIX	FINISH	LENGTH	COLOUR TEMPERATURE
ORLCL1015	BR (Brass)	190 1090	2700K

Suggested Light Source Product Coding: Example: TDLEDFIL6W-2700K

CODE	WATTAGE	COLOUR TEMPERATURE
TDLEDFIL	6W	2700K