

ORL6736 - External Wall Light

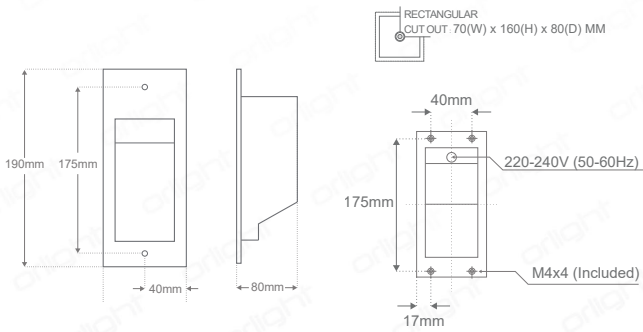
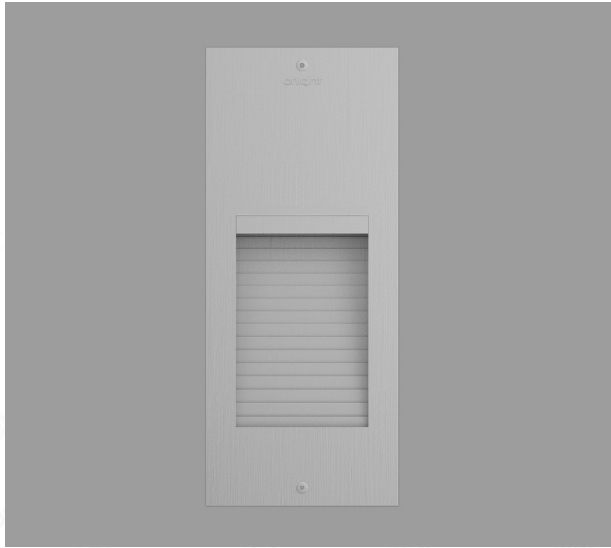
Description

Recessed feature fitting, vertically mounted and IP65 rated. The stepped louvre provides a soft downward emission of light. Integrated mains dimmable LED driver for ease of installation. Cast Aluminium face plate construction with Solid State CREE LED light source and CRI >80 to ensure light quality.

Dimensions

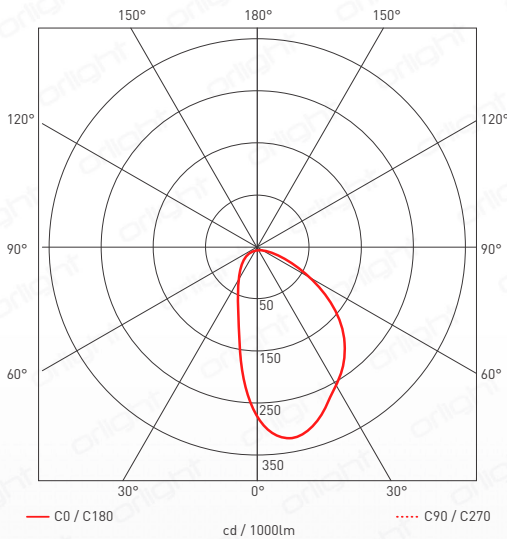
Fixing

Standards



Polar Report

Specifications



Chipset	5050 - CREE
Dimming Options	Mains (Leading and Trailing edge)
Driver	Integral
Driver Output	550mA (Consant Current 1-16.5VDC)
Power Consumption	9W
Voltage Input	220-240V (50-60Hz)
Colour Temperature	3000K
Light Output ~	551lm
lm Per Watt ~	62lm/W
CRI	>80
Beam Angle	100°
Binning	4 Step MacAdams Ellipse
Chip Life TM-21	L70 > 60,000 hours
Install Information	Recessed (Cut-out required)
IP Rating	65
Operating Ambit Temp	-20~50°C
Weight	390g
Finish	Cast Aluminium / RAL9023

Colourmetrics

3000K

R1	R2	R3	R4	R5	R6	R7	R8
79	86	93	82	78	83	86	62
R9	R10	R11	R12	R13	R14	R15	
7	68	80	61	81	96	72	

Product Coding: Example: ORL6736-3000K

CODE	COLOUR TEMP.
ORL6736	3000K