

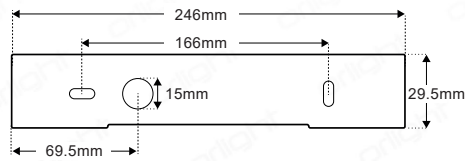
## ORL3AB-SP - Large Abacus Square Indicator Light



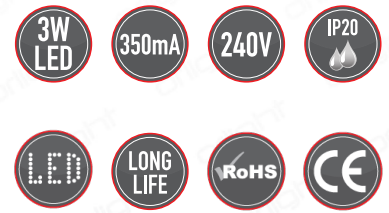
## Description

This indicator fixture is perfect for elegantly accentuating door numbers whilst providing a pleasing marker light effect. An integrated LED light source ensures longevity and efficiency. Switched integrated driver allowing a direct 240V input negates the need for remote drivers facilitating simple installation.

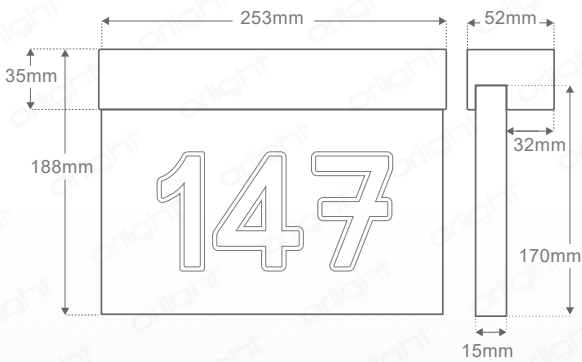
## Fixing Details



## Standards



## Dimensions



## Specifications

Chipset	Luxeon
Power Consumption	3W
Current	350mA
Voltage	240V
Colour Temperature	3000K
Light Output ~	90lm
lm Per Watt ~	30lm/W
IP Rating	IP20
Weight	1.3kg
Finish	Polished chrome with acrylic numbering

## Colourmetrics

3000K

R1	R2	R3	R4	R5	R6	R7	R8
81	88	93	82	80	83	85	65
R9	R10	R11	R12	R13	R14	R15	
18	71	80	68	82	96	76	

Product Coding: Example: ORL3AB-UP-CH-3K-SP

CODE	DIRECTION	FINISH	COLOUR TEMP	COLLECTION
ORL3AB	DOWN	CH - (CHROME)	3K - (3000K)	SP - (SPECIAL)