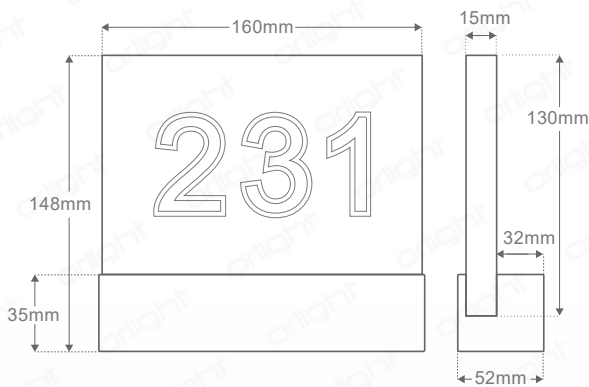


## ORL2AB - Abacus Square Indicator Light



### Dimensions

#### ORL2AB-UP



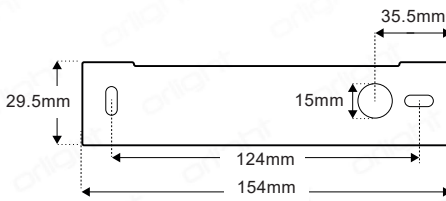
#### Finish - ORL2AB-DOWN



### Description

This indicator fixture is perfect for elegantly accentuating door numbers whilst providing a pleasing marker light effect. An integrated LED light source ensures longevity and efficiency. A direct 240V input negates the need for remote drivers facilitating simple installation. Available in upright or downward legend configuration. Please contact Orlight design for legend request.

### Fixing Details



### Standards



### Specifications

Chipset	Luxeon
Power Consumption	3W
Current	350mA
Voltage	240V
Colour Temperature	3000K
Light Output ~	90lm
lm Per Watt ~	30lm/W
IP Rating	IP20
Weight	755g
Finish	Polished chrome with acrylic numbering

### Colourmetrics

3000K							
R1	R2	R3	R4	R5	R6	R7	R8
82	89	95	83	82	85	86	66
R9	R10	R11	R12	R13	R14	R15	
21	74	81	71	83	97	77	

Product Coding: Example: ORL2AB-UP-CH-3000K

CODE	DIRECTION	FINISH	COLOUR TEMP
ORL2AB	UP	CH - (CHROME)	3000K
	DOWN		