

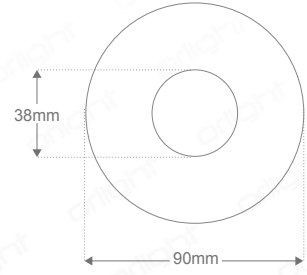
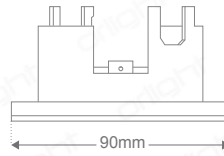


## ORL2009 - Glow Effect Downlight

### Description

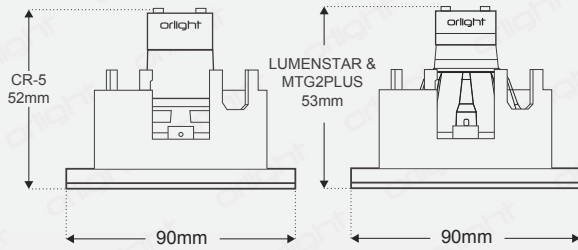
Architectural downlight featuring simple clip lamp change mechanism and a glass fascia that produces a glow effect. Suitable for 50mm GU10 Retrofit light sources.

### Dimensions

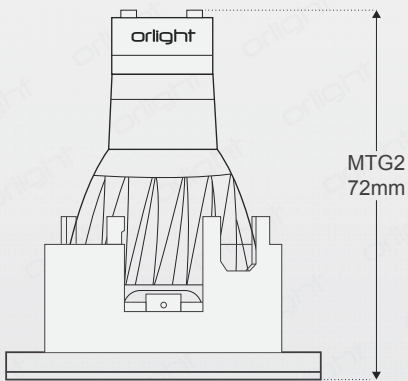


### Dimensions w/Lamp:

#### Allow +2mm for Cable Clearance



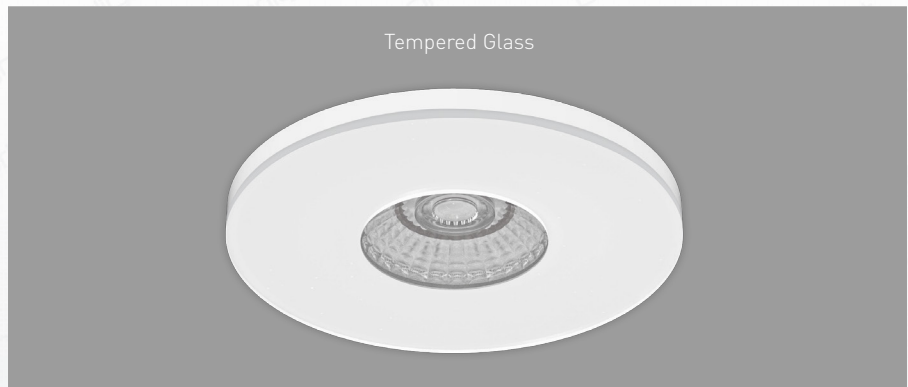
#### Allow +2mm for Cable Clearance



### Specifications

Lamps	CR5; LUMENSTAR; MTG2PLUS; MTG2
Construction	Alloy / Tempered Glass
Lamp Change	Clip Lamp Change Mechanism
Power Consumption	Variable Light Source
Voltage	Max. 240V
Tilt	Fixed
Rotation	Fixed
Cutout	70mm - Circular
Anti-Glare	Yes
IP Rating	20
Accessories	Integrated GU10 Lampholder
Finish	Tempered Glass

### Finishes



Product Coding: Example: ORL2009-WH

PREFIX

CODE

FINISH

ORL

2009

WH - (White)