

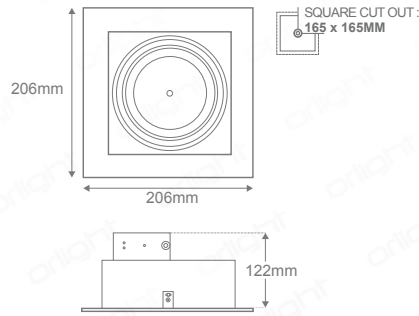
## ORL11D - Single White AR111 Display Light



## Description

Die-Cast Aluminium recessed downlight incorporating tilt and rotate mechanism. The unit features a galvanised steel spring lamp retention system for ease of maintenance. Compatible with AR111 LED light sources. **(Performance criteria demonstrated in conjunction with Orlight MTG111 light source.)**

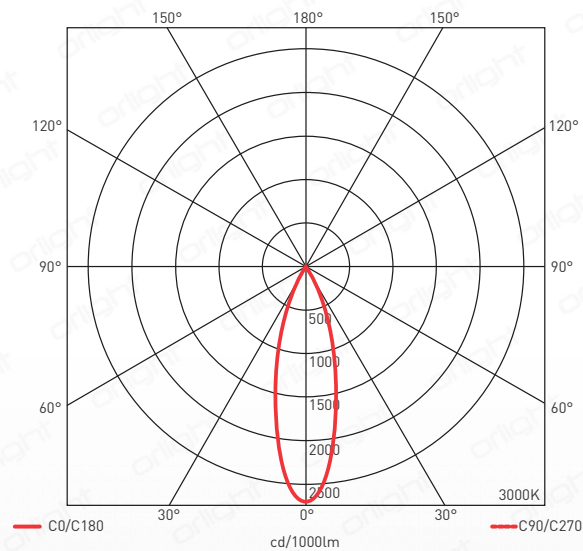
## Dimensions



## Standards



## Polar Report



## Specifications

Chipset	CREE MTG2	
Dimming Options	MAINS; 1-10V; DALI	
Power Consumption	7.2W Module / 10W Circuit Power	
Voltage	36V	
Colour Temperature	3000K	5000K
Light Output ~	700lm	800lm
lm Per Watt ~	70lm/W	98lm/W
CRI	>80	>75
Beam Angle	38°	
Binning	2 Step MacAdams Ellipse	
Chip Life TM-21	L70 > 78,600 hrs	
IP Rating	20	
Weight	950g	
Finish	Epoxy Powder Coat	

## Colourmetrics

3000K

5000K

R1	R2	R3	R4	R5	R6	R7	R8	R1	R2	R3	R4	R5	R6	R7	R8
80	86	93	82	79	83	85	62	72	78	82	75	72	70	84	62
R9	R10	R11	R12	R13	R14	R15		R9	R10	R11	R12	R13	R14	R15	
9	69	81	65	81	96	72		0	48	72	42	73	90	66	

Product Coding: Example: ORL11D-WH-3000K-DALI

\* Accessories

CODE	FINISH	COLOUR TEMP	DIMMING OPTION	EMERGENCY OPTION	DRIVERS
ORL11D	WH - (WHITE)	3000K	D - (MAINS DIM)	EM	MTG111-DR-DIM
		5000K	1-10V	EM	JOLLY-MINI-1-10-LC
			DALI	EM	JOLLY-MINI-DALI-LC

\* Refer to Accessories