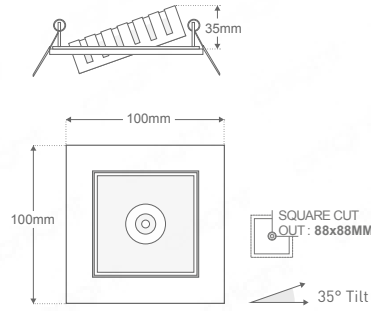


MTG42 - MTG42 Tilted Downlight

Description

Square solid state fixture with integrated MTG2 chipset & adjustable functionality. Slim product profile allows for installation applications with as little as 30mm recessed depth. A 2 Step MacAdams binning strategy ensures colour consistency with single chip technology providing a consistent beam. Configured to 40 degree beam as standard with colour temperature options of 2700K, 3000K, 4000K & 5000K. Available in combination with Mains Dimmable, 1-10V and DALI dimmable Power Supplies.

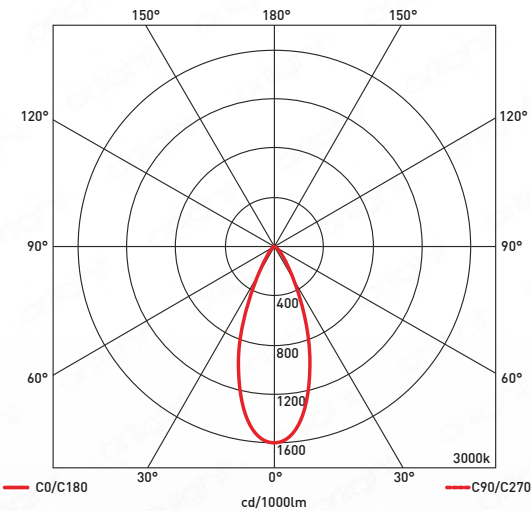
Dimensions



Standards



Polar Report



Specifications

Chipset	CREE MTG2	
Dimming Options	MAINS; 1-10V; DALI	
Power Consumption	7.2W Fixture / 10W Circuit Power	
Voltage	36V	
Colour Temperature	3000K	4000K
Light Output ~	780lm	938lm
lm Per Watt ~	108lm/W	130lm/W
CRI	>80	>70
Beam Angle	40°	
Binning	2 Step MacAdams Ellipse	
Chip Life TM-21	L70 > 78,600 hours	
IP Rating	20	
Weight	188g	
Finish	Epoxy Powder Coat	

Colourmetrics



3000K

4000K

R1	R2	R3	R4	R5	R6	R7	R8
80	88	94	82	80	84	85	62
R9	R10	R11	R12	R13	R14	R15	
11	71	81	65	82	96	73	

R1	R2	R3	R4	R5	R6	R7	R8
71	78	83	74	70	69	83	58
R9	R10	R11	R12	R13	R14	R15	
0	48	70	40	72	90	65	

Product Coding: Example: MTG42-WH-3000K-D

*Accessories

CODE	FINISH	COLOUR TEMP	DIMMING OPTION	EMERGENCY OPTION	DRIVERS
MTG42	WH - (WHITE)	3000K	D - (MAINS DIM)	EM	MTG21-DR-DIM
		4000K	1-10V	EM	JOLLY-MINI-1-10-LC
			DALI	EM	JOLLY-MINI-DALI-LC

*Refer to Accessories