

# MC2SL-WL

Wired MC2 Slim Mains Convertor

# orlight®

FROM SOURCE TO SITE



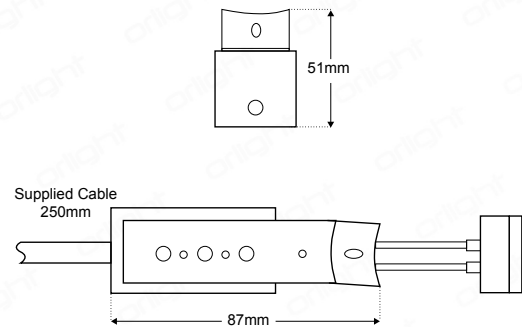
## Product Features:

SLIM Spring Mains Convertor for Orlight Magnetic series. Suitable for Halogen or LED lamp types. Features Earth bracket and concealed connections. Connector is C/UL certified for use in North America. Supplied with 0.75 3 core LSF FLEX 250mm length.

## Standards:



## Dimensions:



## Product Coding:

CODE

MC2SL-WL

## Specification:

Connector Type	GU10
Lamp Type	GU10 - 7W/5W MTG2 , GU10 - 7W/5W SHARPS LED