

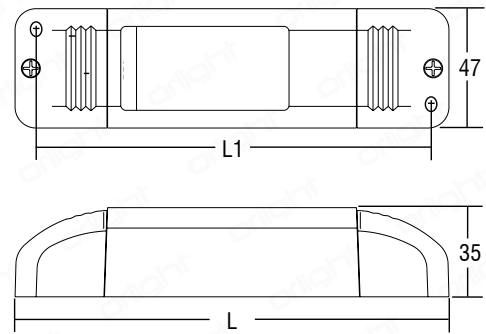
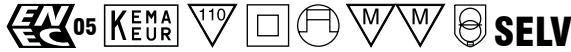
JOLLY MD PUSH

DC Dimmable Leading-Trailing Edge LED Driver.

orlight®

FROM SOURCE TO SITE

Direct current dimmable (TRAILING EDGE-LEADING EDGE) electronic drivers multivoltage-multicurrent for power LED and LED modules



Article	Code	W	V out DC	I out DC	n° LED	ta °C	tc °C	λ	Length L	Fixing L1	Weight gr.	Box
Constant current output												
DC JOLLY MD PUSH	122260	17	43 max.	350mA cost.	12	-25...50	75	0,95	166	150	185	25
		24	43 max.	500mA cost.	12	-25...50						
		32	36 max.	700mA cost.	12	-25...45						
		10	12 cost.	900mA max.	-	-25...50						
		20	24 cost.	900mA max.	-	-25...50						
		22	28 cost.	900mA max.	-	-25...50						

Wiring diagram page 75 n° 17-18 (N.B. diagram 18: to avoid flickering, keep the slaves at 100% dimming level)

Article	L	Code
Synchronization cable	1,5 m	485720512

Reference Norms:

EN 55015
EN 60598-1
EN 61000-3-2
EN 61347-1
EN 61347-2-13
EN 61547
EN 62384
VDE 0710-T14

Voltage

AC 230 ÷ 240 V

Frequency

50 Hz

Power

0 ÷ 32 W

Lamps:

Power LED
LED modules

- IP20 independent driver, for indoor use.
- Multi-power driver supplied with dip-switch for the selection of the output current
- Active Power Factor Corrector.
- Regulating driver with phase cut-off dimmer IGBT and TRIAC.
- Light regulation 0-100% by means of PUSH function (mains voltage):
 - a short push to turn on and off;
 - a longer push to increase or decrease light intensity;
 - regulation automatically stops at minimum and maximum values;
 - for another on, regulation or off command, release the push button and give the desired command again.
- Maximum length of the cable, from push button to last transformer, must be max. 15 m. In case of applications where the cable is longer than 15 m, keep this separate from the 110-240 Volt mains cable.
- Synchronization cable is separately supplied (code 485720512).
- Max. 10 drivers synchronization, is possible command only one driver (1 Master + 9 Slaves).
- ATTENTION: only use normally open push buttons with no incorporated warning light.
- Light regulation 0-100% by means of PUSH.

- Class II protection against electric shock following direct or indirect contact.
- Current regulation ±5% including temperature variations.
- Supplied with terminal cover and cable retainer.
- Input and output terminal blocks on opposite sides (terminal area 2,5 mm²).
- Double terminal blocks to loop other driver.
- Clamping screws on primary and secondary circuits for cables with diameter: min. 3 mm - max. 8 mm.
- Driver can be secured with slot for screws.
- Protections:
 - against overheating and short circuits;
 - against mains voltage spikes;
 - against overloads.
- Thermal protection = C.5.a.
- Can be switched on and off on secondary circuit for power LED.
- Suitable for the supply of power LED and LED modules.

For more setting see data sheet.