

## ECLIPSE-A-BL - Single Adjustable Wall Light

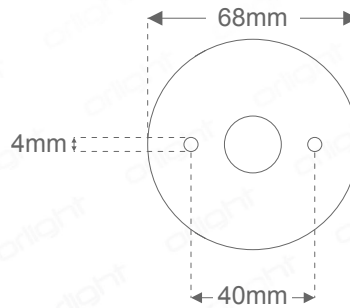
### Description

The Eclipse Range is a collection of wall and ceiling lights compatible with our Lumenstar and CR-5 lamps. Constructed from Aluminium and finished to RAL9005 Matt Black. With an IP54 rating, they are ideal for residential, studio and office environments.

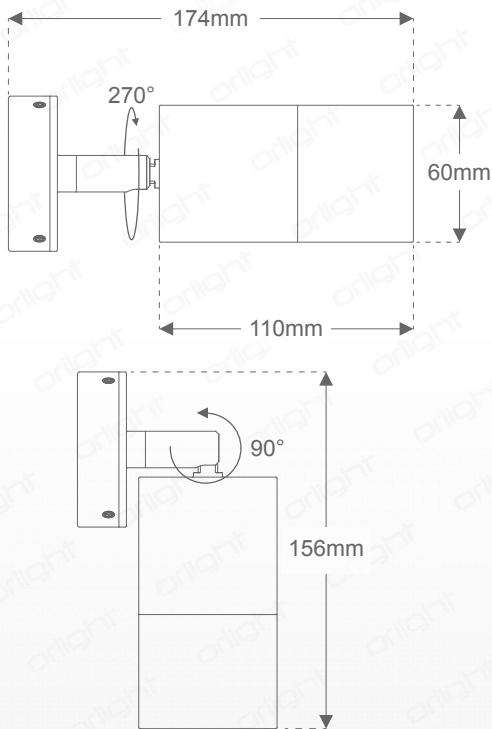


### Fixing Details

### Standards



### Dimensions



### Specifications

Lamps	GU10 Lamp (Suggested Light Source - LS-7W-3000K-D)
Dimming Options	Dimmable
Power Consumption	7W
Voltage	Max 240V
Colour Temperature	3000K
Light Output ~	540lm
lm Per Watt ~	77lm/W
CRI	>82
Beam Angle	40°
Tilt	90°
Rotation	270°
IP Rating	IP54
Installation Info	Surface Mounted
Weight	315g
Finish	Aluminium - Matt Black - (RAL9005)

Product Coding: Example: ECLIPSE-A-BL

CODE

ADJUSTABLE

FINISH

ECLIPSE

A

BL - (BLACK - RAL9005)

Suggested Light Source Product Coding: Example: LS-7W-3000K-D

CODE

WATTAGE

COLOUR TEMP

DIMMING OPTION

LS

7W

3000K

D