

DYANA - Retro Wall Light



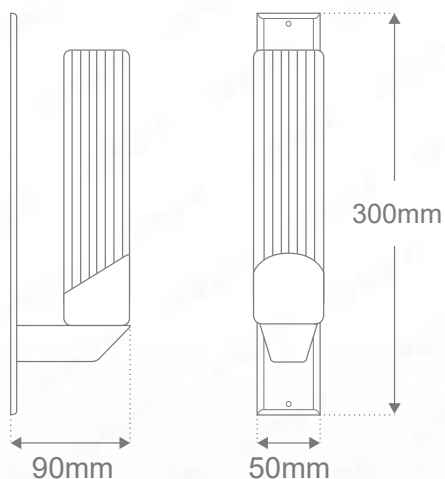
Description

DYANA is an elegant wall light incorporating a 3W LED light source adding beautiful lighting to your scheme. It also rated to IP44 and is therefore suitable for bathrooms, creating a stylish alternative to the usual bathroom lighting. CREE 1512 chipset to enable superior performance with a CRI>80 light quality assurance. Colour consistency is adhered to with a 2-Step MacAdams Ellipse binning strategy.

Standards



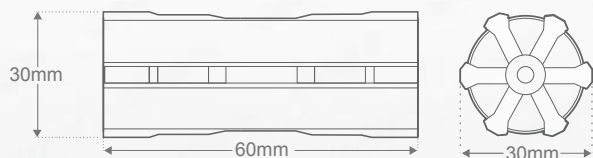
Dimensions



Specifications

| | | |
|--------------------|-------------------------|--------|
| Chipset | CREE 1512 | |
| Dimming Options | Mains | |
| Power Consumption | 3W | |
| Voltage | 240V | |
| Colour Temperature | 2700K | 3000K |
| Light Output ~ | 252lm | 270lm |
| lm Per Watt ~ | 84lm/W | 90lm/W |
| CRI | >82 | >82 |
| Binning | 2 Step MacAdams Ellipse | |
| Chip Life TM-21 | L70 > 60,500 hours | |
| IP Rating | 44 | |
| Weight | - | |
| Finish | Polished Chrome | |

Dimensions (Remote Driver)



Colourmetrics

| 2700K | | | | | | | | | 3000K | | | | | | | |
|-------|-----|-----|-----|-----|-----|-----|----|--|-------|-----|-----|-----|-----|-----|-----|----|
| R1 | R2 | R3 | R4 | R5 | R6 | R7 | R8 | | R1 | R2 | R3 | R4 | R5 | R6 | R7 | R8 |
| 81 | 91 | 97 | 81 | 81 | 90 | 83 | 59 | | 82 | 89 | 96 | 84 | 82 | 87 | 86 | 64 |
| R9 | R10 | R11 | R12 | R13 | R14 | R15 | | | R9 | R10 | R11 | R12 | R13 | R14 | R15 | |
| 10 | 80 | 80 | 73 | 83 | 99 | 73 | | | 15 | 75 | 84 | 71 | 83 | 97 | 74 | |

Product Coding: Example: DYANA-CH-3000K-D

*Accessories

| CODE | FINISH | COLOUR TEMP | DIMMING OPTION | DRIVERS |
|-------|---------------|-------------|-----------------------|--------------------------|
| DYANA | CH - (CHROME) | 2700K | D - (MAINS) | INCLUDED - REMOTE DRIVER |
| | | 3000K | *Refer to Accessories | |