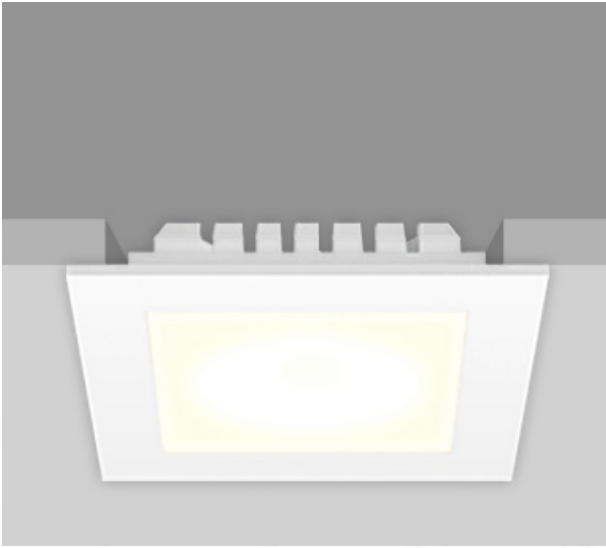


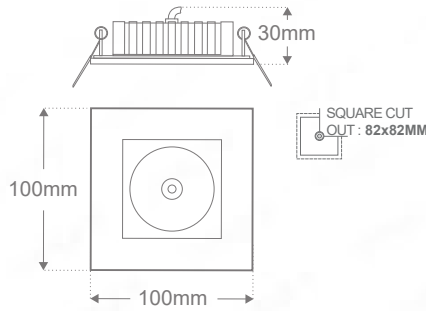
CREE41 - CREE41 Fixed Downlight



Description

Square solid state fixture with integrated CREE MTG2 chipset & construction rated to IP44. Slim product profile allows for installation applications with as little as 30mm recessed depth. A 2 Step MacAdams binning strategy ensures colour consistency with single chip technology providing a consistent beam. Configured to 45 degree beam as standard with colour temperature options of 4000K. Available in combination with Mains Dimmable, 1-10V and DALI dimmable Power Supplies.

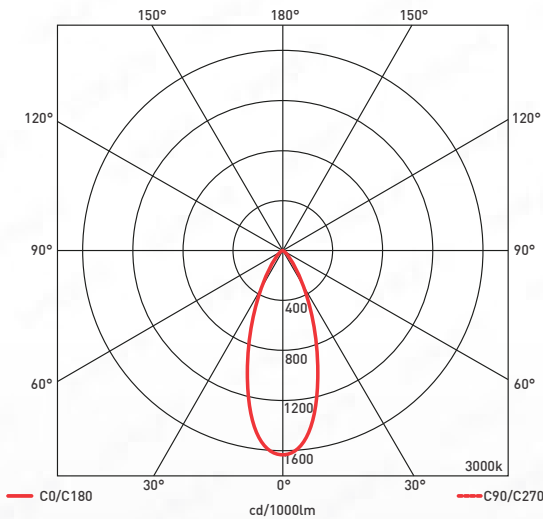
Dimensions



Standards



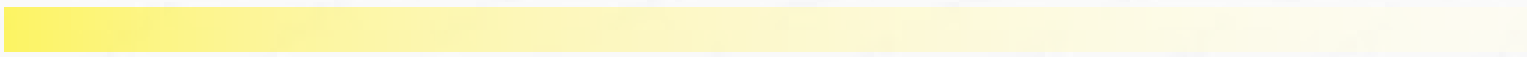
Polar Report



Specifications

Chipset	CREE MTG2
Dimming Options	MAINS; 1-10V; DALI
Power Consumption	7.2W Fixture / 10W Circuit Power
Voltage	36V
Colour Temperature	4000K
Light Output ~	938lm
lm Per Watt ~	102lm/W
CRI	>80
Beam Angle	45°
Binning	2 Step MacAdams Ellipse
Chip Life TM-21	L70 > 78,600 hours
IP Rating	44
Weight	173g
Finish	Epoxy Powder Coat

Colourmetrics



4000K

R1	R2	R3	R4	R5	R6	R7	R8
81	87	92	83	80	82	88	68
R9	R10	R11	R12	R13	R14	R15	
14	70	82	61	82	95	74	

Product Coding: Example: CREE41-WH-4000K

CODE	FINISH	COLOUR TEMP	DIMMING OPTION	EMERGENCY OPTION	*Accessories
CREE41	WH - (WHITE)	4000K	D - (MAINS DIM)	EM	DRIVERS
			1-10V	EM	MTG21-DR-DIM
			DALI	EM	JOLLY-MINI-1-10-LC
			*Refer to Accessories		JOLLY-MINI-DALI-LC