

CINTI-B - Elegant Pendant Light



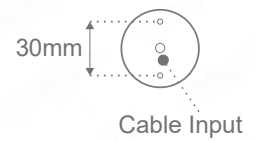
Description

CINTI-B fixed rod elegant pendant with a 3W LED light source featuring a clear acrylic diffuser to create an interesting fixture that is ideal for modern hallways, bedrooms and living rooms. Perfect to use in clusters or individually, with ball and socket suspension to allow pitched ceiling installation.

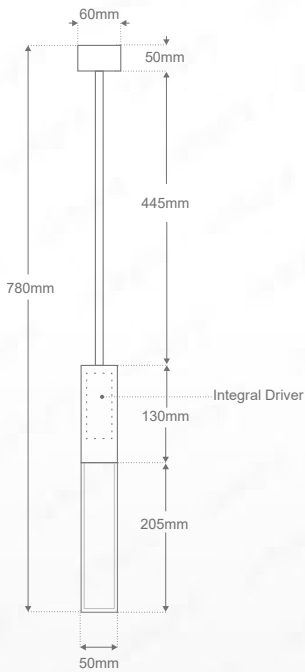
Integrated switched driver allows for direct 240V input, with a CRI>80 to ensure light quality.

Standards

Fixing Details



Dimensions



Specifications

Chipset	Edison SMD
Voltage	240V
Power Consumption	3W
Driver	Integral
Colour Temperature	3000K
Light Output ~	250lm
lm Per Watt ~	83lm/W
CRI	>80
Weight	1.5Kg
IP Rating	20
Finish	Aluminium / Clear Acrylic Diffuser

Colourmetrics



Product Coding: Example: CINTI-B-AL-3000K

CODE

CINTI-B

FINISH

AL - (ALUMINIUM)

TEMPERATURE

3000K