



origin

DOORS AND WINDOWS

Artisan Slider (OS-20) Specification File

A close-up photograph of a dark-colored door handle and keyhole. The handle is a vertical, rectangular pull with a recessed grip. Below it is a circular keyhole with a silver-colored keyhole cover. The background is a light, slightly blurred wall. A white diagonal shape cuts across the bottom left of the image, containing the text.

Contents

Specification Overview	03
Security	06
Optional Extras	07
Glass Options	09
Artisan Slider Make-Up	11
Size Limitations	12
Performance and Limitations	13
Master Configurations	17
Technical Drawings	26
Handles	54
Gaskets	55
Installation Guide	56
Accreditations	89

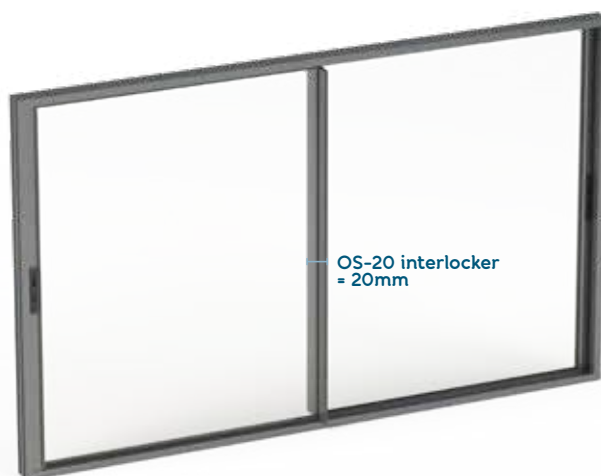
Specification Overview

Thermally Broken Aluminium Artisan Slider

External
view of
the Origin
Artisan Slider



Internal view
of the Origin
Artisan Slider



Profile specification

Frame Depth	2 options: 116mm (double track) and 182mm (triple track)
Sightline	20mm interlockers and 159mm central locking stiles if used.
Track Height	44mm (double and triple track)
Minimum Sash Size	550mm wide x 1600mm tall
Maximum Sash Size	2200mm wide x 3000mm tall' <i>individual panels cannot exceed 6sqm</i>
Maximum Sash Weight	200kg

Features

- ▶ Up to a 10-year guarantee including gaskets and seals²
- ▶ Up to a 5-year guarantee on glass²
- ▶ Concealed running gear and track
- ▶ Minimum of 6 points of locking (internal lever and cylinder only)
- ▶ Weather testing BS 6375 part 1 certified
- ▶ Structurally bonded system

Options and extras

- ▶ Up to 6 panelled configurations - these can be all sliding or a combination of fixed and sliding
- ▶ 180mm and 225mm cill options available
- ▶ 60mm drip bar option
- ▶ Available in over 150 RAL shades including Anodised Silver
- ▶ Flush faced handle option available in five colours
- ▶ 35mm frame extender
- ▶ 2500EA and 5000EA trickle vents available

Glass Options

- ▶ Toughened Glass
- ▶ Laminated Glass
- ▶ Solar Reflective Glass

See page 9 for full benefits of each glass type

1 - The height of an individual panel cannot exceed 3 times its width

2 - Guarantee based on location of where the doors will be installed.

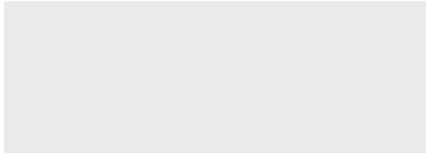
Full terms and conditions can be found on the Origin website - origin-global.com/terms-and-conditions.

Specification Overview

The Origin Artisan Slider has 2 popular colours. These are available in as little as 4 weeks.



Anthracite Grey (7016M)



Anodised Silver



Covering everything from the favourite metallic shades through to the more extensive palettes, we've got a colour available that's guaranteed to suit any home or building style

For the full range of colours and most up to date lead times, visit origin-global.com

Lead Times

Popular colour OS-20: 4-weeks

Special colour OS-20: 4-weeks

Anodised Silver: 6-weeks

Dual colour and woodgrain options are not available.

Drainage cap colours

Popular Colour	Drainage Cap Colour	X3 Code
9007M (Dark Silver Metallic)	No. 38 Grey	C01349
7021M (Black Grey)	Dark Grey	C01350
9005M (Jet Black)	Black	C01163
7015M (Slate Grey)	Dark Grey	C01350
9910G (Hipca White)	White	C01353
7016M (Anthracite Grey)	Dark Grey	C01350

Security

Origin's Multi-Point Lock

Each door is equipped with an ultra-secure multi-point locking system, which features a minimum of six points of locking. Depending on the size of the door, this may increase.



Optional Extras

Trickle Vents

Trickle vents have to meet the minimum air flow rates as defined in the British Building Regulations (see specifics below).

Should it be required, our Artisan Sliders can be specified with discreetly designed trickle vents which are installed through the frame extender for additional ventilation, ensuring the doors meet and surpass building regulations.



Trickle vents on our Artisan Sliders can only be fitted through the frame extender.

See OSS for more details

Handles

- ▶ Every Artisan Slider is fitted with a flush-faced lever handle, which offers a look as sleek as the doors themselves.
- ▶ It's available in five attractive colours: 7015M, 7016M, 9005M, 9910G and Light Silver



See p53 for more details on our handles.

Frame Extender

A 35mm frame extender is available. This allows for thicker plaster lines on ceilings and offers more room that will allow trickle vents to be fitted.

Cills

Choose from our 2 cill options. These can also be powder-coated to match the doors.



180mm cill



225mm cill

Drip Bar

A drip bar option is available. It is situated towards the bottom of the door to deflect rainwater and prevent large pools of water from gathering.



OS-20 Glass Options

The Origin OS-20 Artisan Sliding Door system differs from similar systems available on the market. From the superior engineering, vast door sizes and quality of manufacture, it's designed to stand out. And the same can be said for the calibre of glass that we use.

The OS-20 comes as a bonded system, and we are proud to use Guardian Glass; a brand renowned for high quality, which not only boasts great thermal performance, but also has a proven track record that's been preferred by some of the world's top architects and specifiers. Guardian Glass is used in iconic commercial grade architectural buildings around the world, and we're now bringing those same demanding quality standards to your home. Operating on five continents and employing over 18,000 people, we have partnered with a manufacturer who is not only an expert, but at the forefront of glass technology and sustainability.

Like Origin, Guardian Glass have developed a world-class quality management system that demonstrates how each level of their organisation manages, performs and verifies the quality of their work and the glass they produce. Our system ensures everyone is informed and accountable, and that you receive products that meet your expectations.

What glass options does Origin offer on the OS-20?

The OS-20 has 3 types of glass available:

- ▶ Toughened Glass
- ▶ Laminated Glass
- ▶ Solar Reflective



Toughened Laminated Glass

The toughened glass option is tempered at a high heat and then rapidly cooled under jets of cold air to create a smooth finish that is extremely strong and resistant to scratches. Toughened glass is a cost-effective option for providing a high-performance glazed unit that's capable of withstanding extreme conditions as well as the day-to-day knocks and scuffs of a lively home environment.

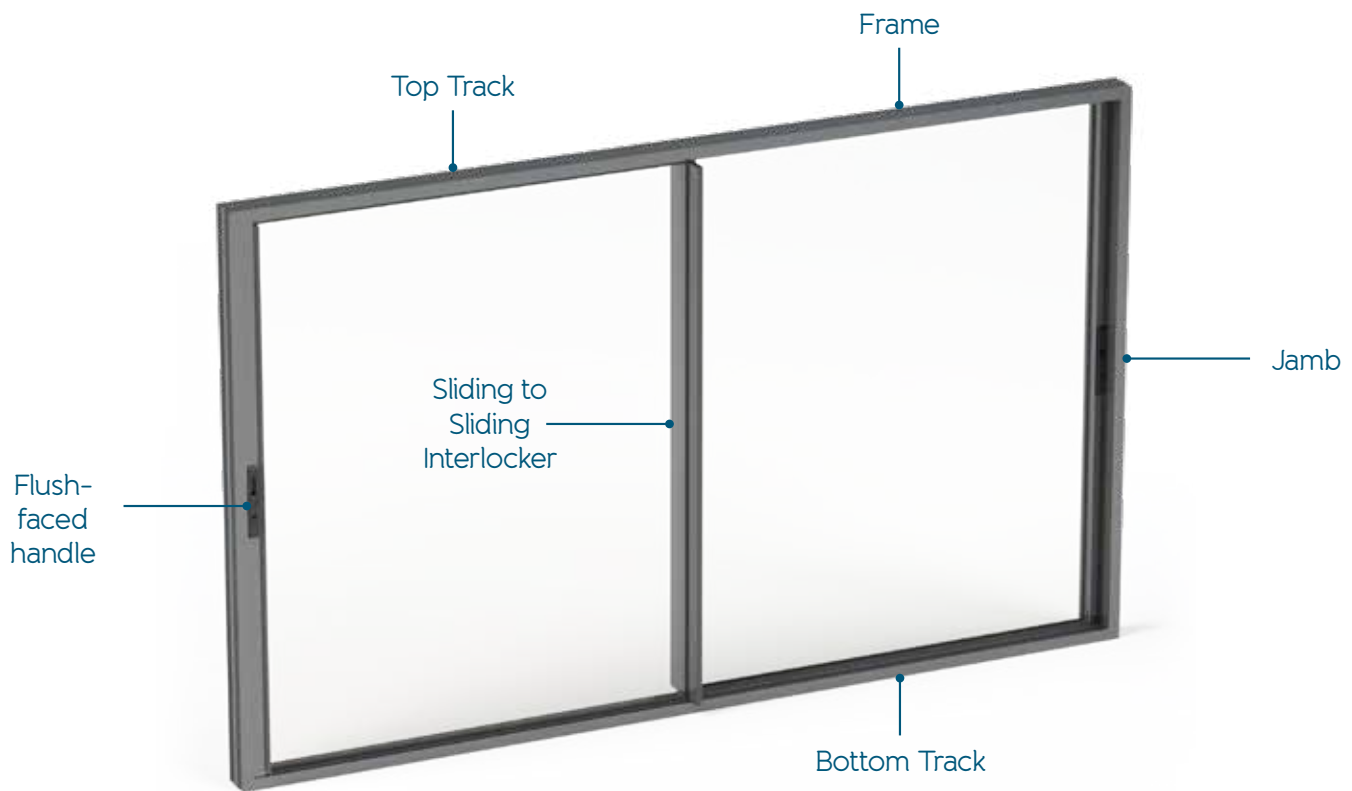
Laminated Glass

For the laminated glass option, low-E glass is used, which consists of two sheets of glass that are pressed together with an extremely tough PVB plastic interlayer. The glass is created using the most advanced magnetron glass coating technology. The low-E coating reflects infrared light, keeping the house warmer in winter and cooler in summer. The neutral colour of the glass and the high light transmission provides a pleasant indoor environment with natural daylight, while the increased insulation provides a higher internal glass surface temperature, reducing the occurrence of condensation and uncomfortable cold spots.

SunGuard Solar Reflective Glass

With an impressive natural external appearance, our solar reflective glass transmits 70% of light into a property whilst protecting it from overheating or cooling. Not only does the coating on this glass minimise the need for artificial light, but it also offers excellent solar protection with a 37% solar factor. Our solar reflective glass solution is also toughened, giving you confidence in a product that is manufactured to extract maximum lifetime value.

Artisan Slider Make-Up



Make-up is dependent on the configuration chosen.

Size Limitations

Slider Set Limits

Slider Size	Minimum			Maximum		
	OS-29 / OS-44	OS-77	OS-20	OS-29	OS-44/ OS-77	OS-20
XO or OX (1 Sliding, 1 Fixed) Width (mm)	1463	1462	1228	4052	4010	4428
XX (2 Sliding) Width (mm)	1463	1462	1278	4052	4010	4478
XXO or OXX (2 Sliding, 1 Fixed) Width (mm)	2102	2117	1774	6002	5939	6574
XXX (3 Sliding) Width (mm)	2102	2117	1824	6002	5939	6624
OXXO (2 Sliding, 2 Fixed) Width (mm)	2850	2848	2405	8028	7944	8804
XXXX (4 Sliding) Width (mm)	N/A	N/A	2505	N/A	N/A	8904
OXXXXO (4 Sliding, 2 Fixed) Width (mm)	4129	4159	3497	11929	11803	13096
XXXXXX (6 Sliding) Width (mm)	N/A	N/A	3597	N/A	N/A	13196
All Configs Height (mm)	2005	2005	1600	2600	2600	3000
Sash Width (mm)	710	710	550	2000	2000	2200
Sash Height (mm)	1925	1925	1600	2520	2520	3000
Sash Area (sqm)	N/A	N/A	N/A	6	6	6.6
Sash Width / Height Ratio	N/A	N/A	N/A	1:3	1:3	1:3
Sash Weight (kg)	N/A	N/A	N/A	200	200	200
Sashes in one set	1			6		

Performance and Limitations

Origin Thermal Ratings

u-Value

1.4 W/m²K

Glazing Specifications

30mm, 1.0 centre pane ●

● Argon Gas Fill

u-Value

1.4 W/m²K ●

Weather Rating

Air Permeability

Class 4

Resistance to Wind Load

Class A3

Water Tightness

Class 7A

Performance Testing

BS 6375 Parts 1, 2 and 3 Certified

CE marked for domestic and commercial use

Building Regulation Requirements

New Build

and Extensions 2.0 W/m²K

Replacements 1.8 W/m²K

Energy Rating E or better

All doors must conform to these requirements

Glass Specification

OS-20 Glass Options				Inner			Spacer		Outer		
Option	Supplier Spec	Max Pane Size (sqm)	Unit Thickness	Low E	Toughened	Solar Reflective	Width mm	Warm Edge Thermobar	Low E	Toughened	Solar Reflective
Standard 6 - 18 - 6	Clear 18mm Thermobar Low E Toughened	4	30mm	✓	✓	✗	18	✓	✗	✓	✗
Standard 8 - 14 - 8	Clear 14mm Thermobar Low E Toughened	6	30mm	✓	✓	✗	14	✓	✗	✓	✗
Solar Reflective 6 - 18 - 6	6mm Sungard SN70/37 18mm Thermobar Clear Toughened	4	30mm	✗	✓	✗	18	✓	✓	✓	✓
Solar Reflective 8 - 14 - 8	8mm Sungard SN70/37 14mm Thermobar Clear Toughened	6	30mm	✗	✓	✗	14	✓	✓	✓	✓
Laminated 6.8 - 16 - 6	6.8mm Laminated 16mm Thermobar Low E Toughened	4	28.8mm	✓	✓	✗	16	✓	✗	✗	✗
Laminated 8.8 - 12 - 8	8mm Laminated 12mm Thermobar Low E Toughened	6	28.8mm	✓	✓	✗	12	✓	✗	✗	✗

OS-20

Certificate of thermal simulation

PRODUCT:	Inline Slider
SIM - SOFTWARE:	Win Iso 2D Pro
GLASS SPECIFICATION AND CENTRE PANE U/VALUE VALUE:	1.0 W/m ² K (30mm double glazing)

Thermal Transmittance:
1.4 W/(m²K)

TESTED BY: David Ginger (Product Compliance Director)

DATE: August 2017

SIGNED: 

All simulations strictly in accordance with the requirements of ISO 10077-2:2015

Email: enquiry@origin-global.com | Web: www.origin-global.com

Origin Global HQ, Stuart House, Castle Estate, Coronation Road, Cressex Business Park, High Wycombe, Buckinghamshire, HP12 3TA

OFDL_18.149.3

origin
DOORS AND WINDOWS



CE DECLARATION OF PERFORMANCE

Origin Frames Ltd, Stuart House, Castle Estate, Coronation Road
Cressex Business Park, High Wycombe, Buckinghamshire,
HP12 3TA, United Kingdom

This document declares that the product:

Origin OS-20 Artisan Sliding Door
External pedestrian door set intended to be used in domestic and
commercial buildings conforms to the product requirements
of BS EN 14351-1:2006+A2:2016 Annex ZA

Essential Characteristics	Performance	Test Standards
Resistance to wind load	<i>Class C5</i>	BS EN 12211
Air permeability	<i>Class 4</i>	BS EN 1026
Water tightness	<i>Class 7A</i>	BS EN 1027
Impact resistance	<i>Npd</i>	BS EN 13049
Thermal transmittance	<i>See File</i>	EN ISO 10077-1 & EN ISO 10077-2 (or EN ISO 12567-1 and prEN 12567-2)
Dangerous substances	<i>See File</i>	BS EN 14351-1: 2006+A1:2010
Load-bearing capacity of safety devices	<i>N/A</i>	BS EN 948
Acoustic performance	<i>Npd</i>	BS EN ISO 140-3
Radiation properties	<i>Npd</i>	EN 410
Ability to release	<i>Npd</i>	BS EN 179 and BS EN 1125

This declaration of performance is issued under
the sole responsibility of Origin Frames Ltd.

Signed on behalf of Origin Frames Ltd:

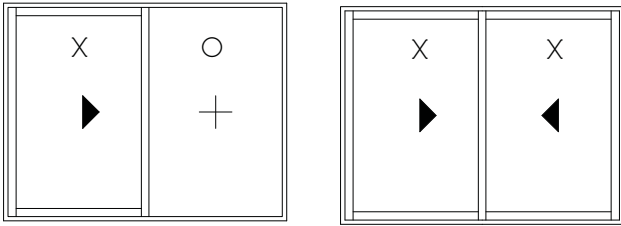
David Ginger – Product Compliance Director
Date: 01/07/2019



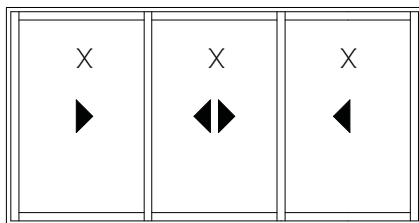
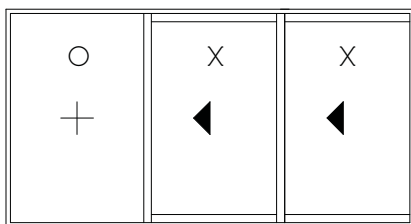
OFDL_18.120.1

Master Configurations

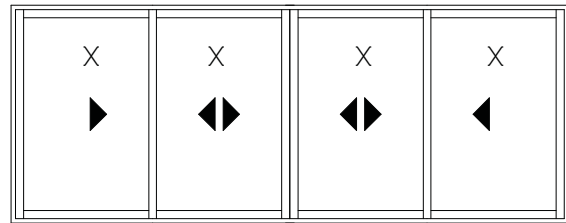
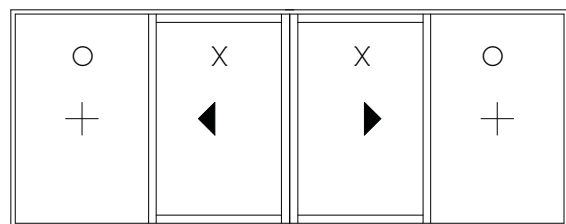
XO (1 fixed, 1 sliding) or XX (2 sliding)



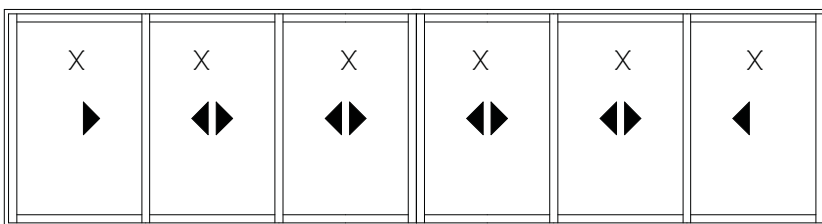
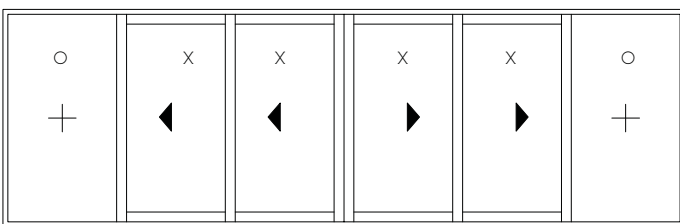
OXX (1 fixed, 2 sliding) or XXX (3 sliding)



OXXXXO (2 fixed, 2 sliding) or
XXXXX (4 sliding)



OXXXXO (2 fixed, 4 sliding) or XXXXXX (6 sliding)

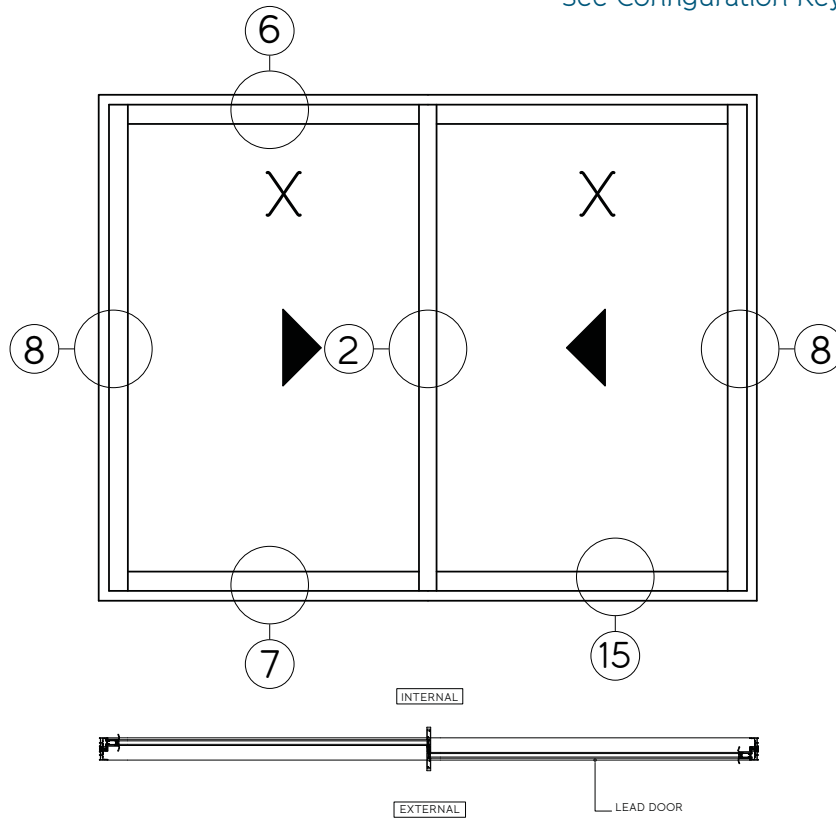


KEY

- O - Indicates Fixed sash
- X - Indicates Opening sash
- ◄► - Indicates opening direction

Master Configuration: XO (1 sliding, 1 fixed) or XX (2 sliding)

See Configuration Key for section detail ▶



2+0

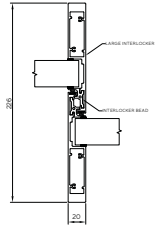
See page 17 for configurations

Key features

- ▶ Both panels can be sliding, or one can be fixed with one sliding
- ▶ Traditional patio door style

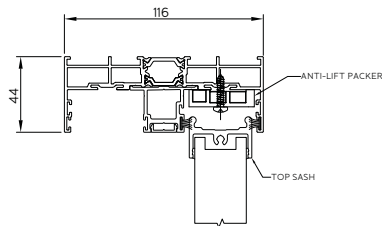
Configuration Key

2a-2c - Sliding Interlocker to Sliding Interlocker Detail



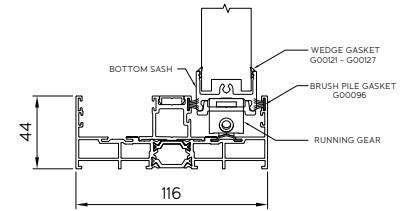
See pages 30-32

6 - Sliding Panel To Double Frame (Top Track) Detail



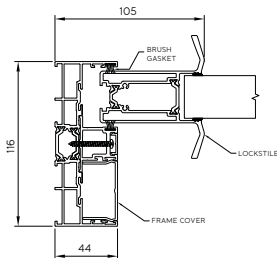
See page 36

7 - Sliding Panel To Double Frame (Bottom Track) Detail



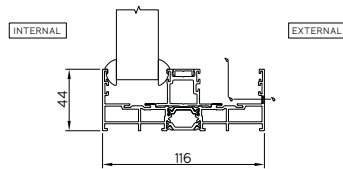
See page 37

8 - Sliding Panel To Double Frame (Jamb) Detail



See page 38

15 - Drainage Details Double Frame Detail

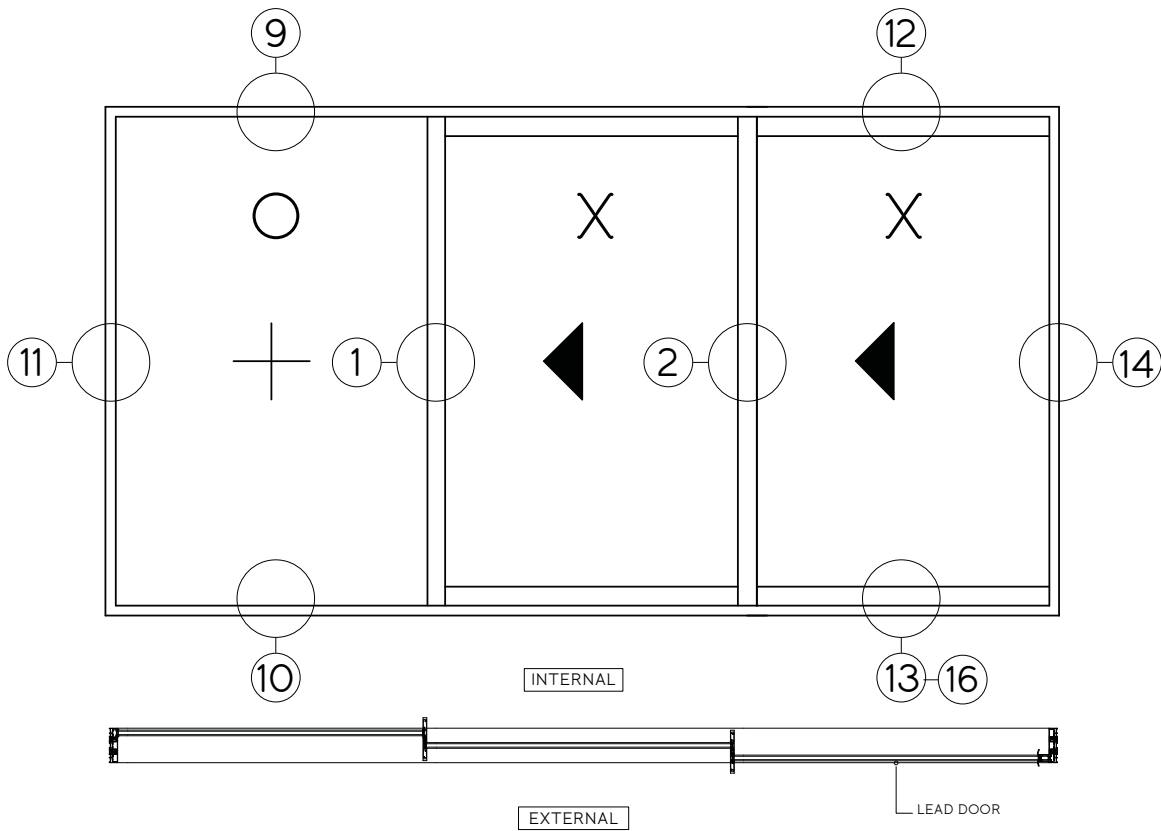


See page 45

Master Configuration: OXX (1 fixed, 2 sliding) or XXX (3 sliding)

16 Drainage Details Triple Frame Detail

See Configuration Key for section detail ▶



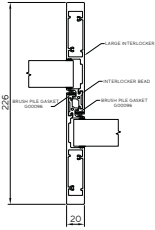
Key features

- ▶ Fixed pane can be specified on the left or right
- ▶ All panes can slide or flexible opening

2+1
See page 17 for configurations

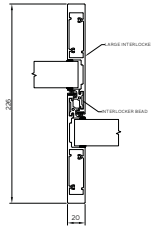
Configuration Key

1a-1c- Fixed Interlocker To Sliding Interlocker Detail



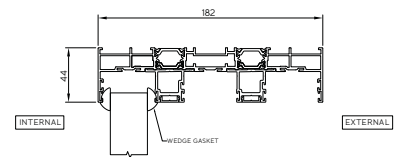
See pages 27-29

2a-2c - Sliding Interlocker to Sliding Interlocker Detail



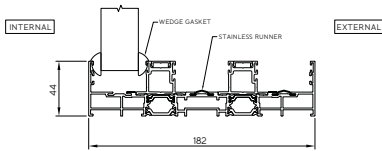
See pages 30-32

9 - Fixed Panel To Triple Frame (Top Track) Detail



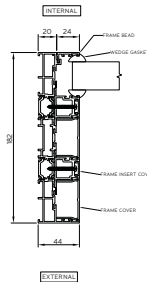
See page 39

10 - Fixed Panel To Triple Frame (Bottom Track) Detail



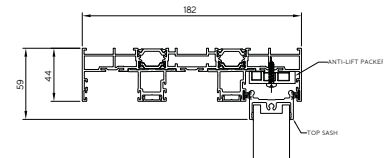
See page 40

11 - Fixed Panel To Triple Frame (Jamb) Detail



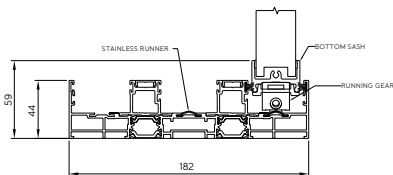
See page 41

12 - Sliding Panel To Triple Frame (Top Track) Detail



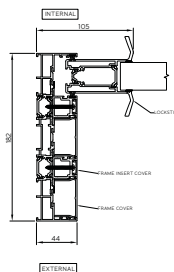
See page 42

13 - Sliding Panel To Triple Frame (Bottom Track) Detail



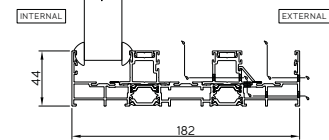
See page 43

14 - Sliding Panel To Triple Frame (Jamb) Detail



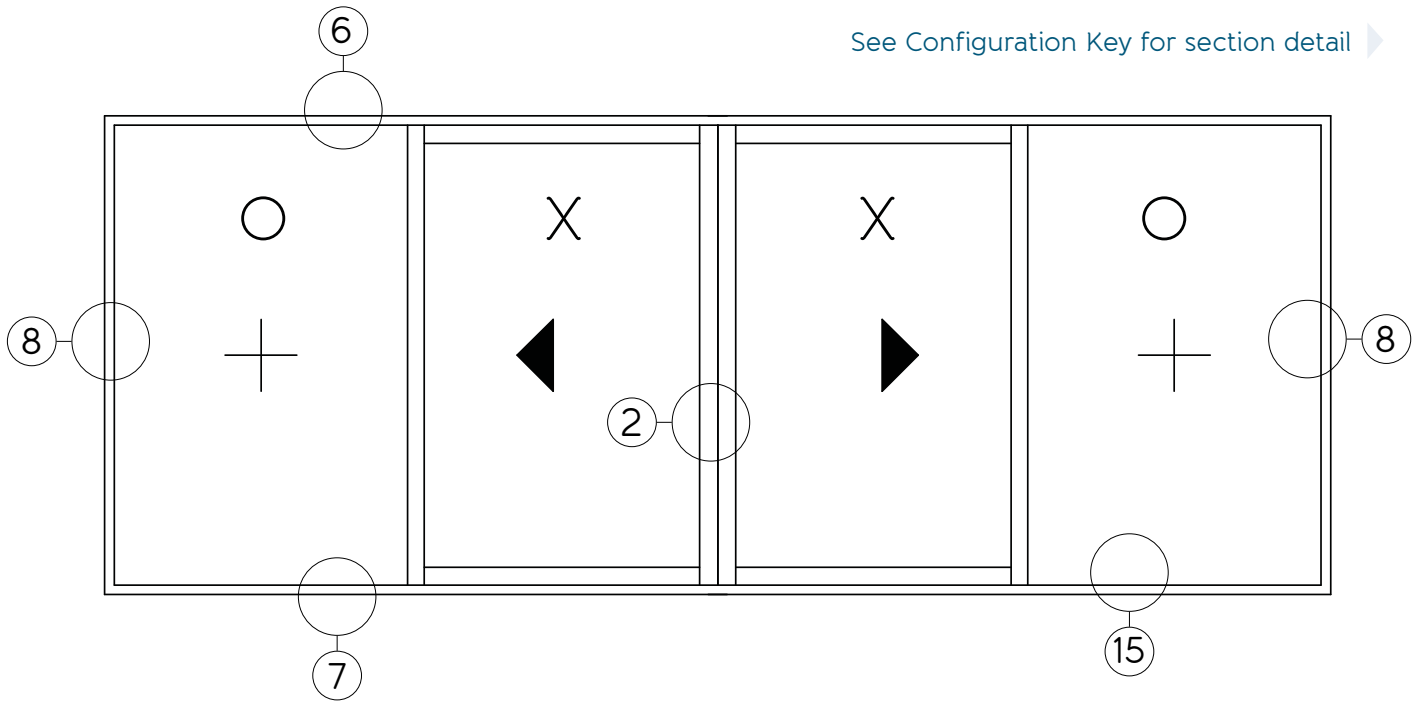
See page 44

16 - Drainage Details Triple Frame Detail



See page 46

Master Configuration: OXXO (1 fixed, 2 sliding, 1 fixed)



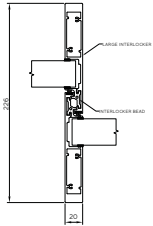
Key features

- ▶ Fixed pane can be specified on the left or right

See page 17 for configurations

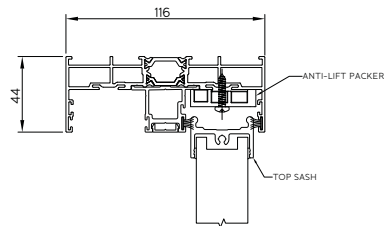
Configuration Key

2a-2c - Sliding Interlocker to Sliding Interlocker Detail



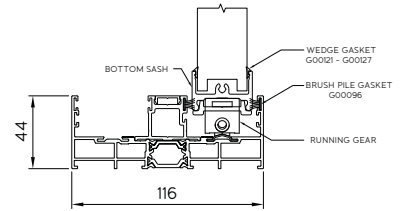
See pages 30-32

6 - Sliding Panel To Double Frame (Top Track) Detail



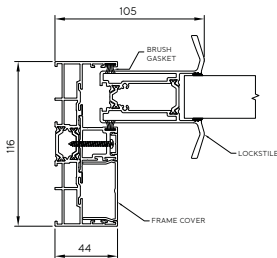
See page 36

7 - Sliding Panel To Double Frame (Bottom Track) Detail



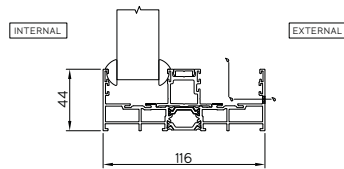
See page 37

8 - Sliding Panel To Double Frame (Jamb) Detail



See page 38

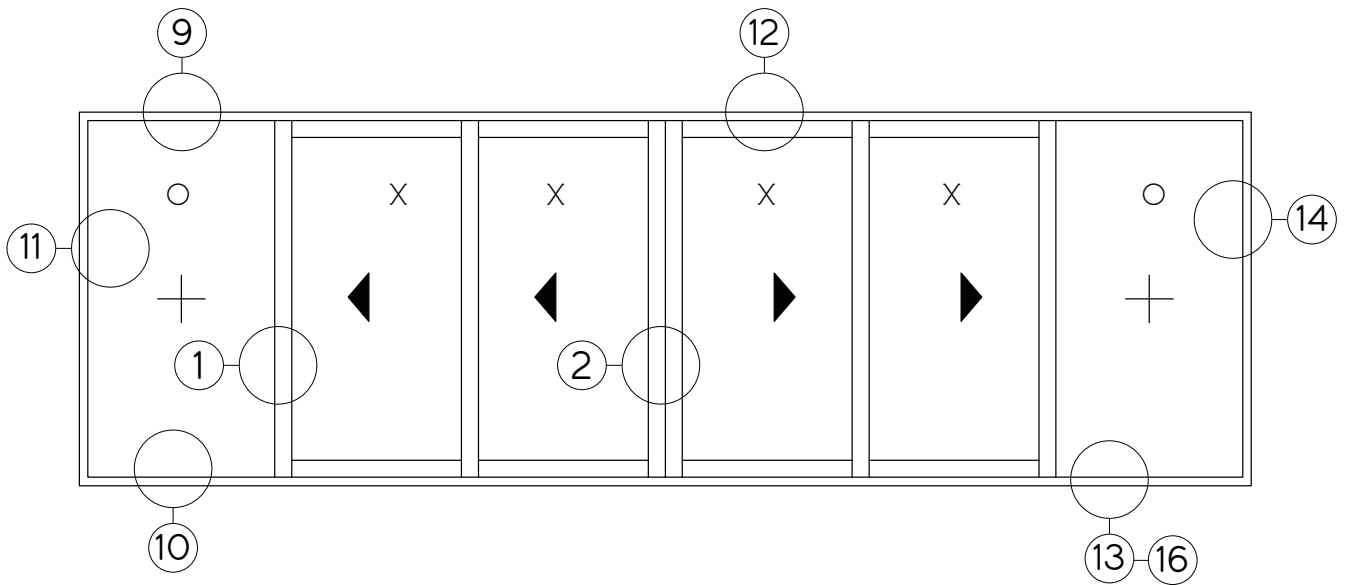
15 - Drainage Details Double Frame Detail



See page 45

Master Configuration: OXXXXO (1 fixed, 4 sliding, 1 fixed)

See Configuration Key for section detail ▶



*The interlocker will be dependent on the system chosen.



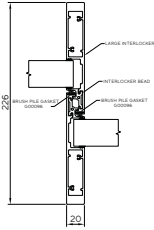
Key features

- ▶ Fixed pane can be specified on the left or right

See page 17 for configurations

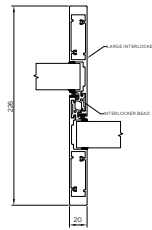
Configuration Key

1a-1c- Fixed Interlocker To Sliding Interlocker Detail



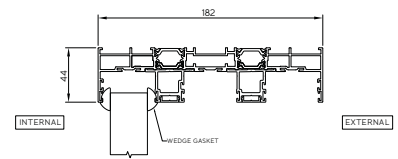
See pages 27-29

2a-2c - Sliding Interlocker to Sliding Interlocker Detail



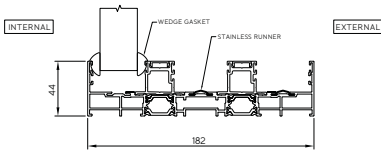
See pages 30-32

9 - Fixed Panel To Triple Frame (Top Track) Detail



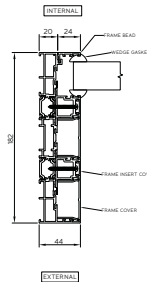
See page 39

10 - Fixed Panel To Triple Frame (Bottom Track) Detail



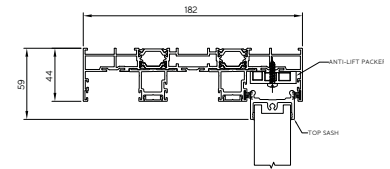
See page 40

11 - Fixed Panel To Triple Frame (Jamb) Detail



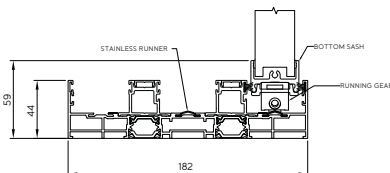
See page 41

12 - Sliding Panel To Triple Frame (Top Track) Detail



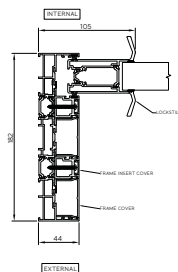
See page 42

13 - Sliding Panel To Triple Frame (Bottom Track) Detail



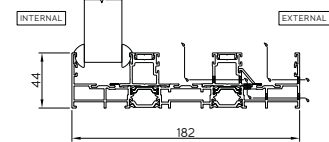
See page 43

14 - Sliding Panel To Triple Frame (Jamb) Detail



See page 44

16 - Drainage Details Triple Frame Detail



See page 46

Technical Drawings

Interlocker Options

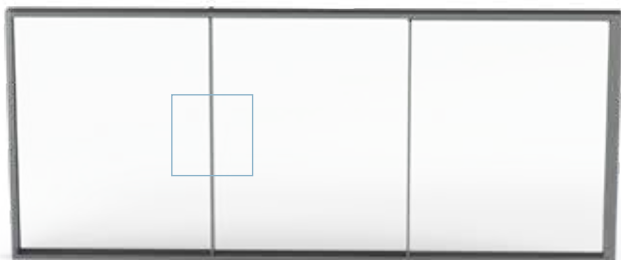
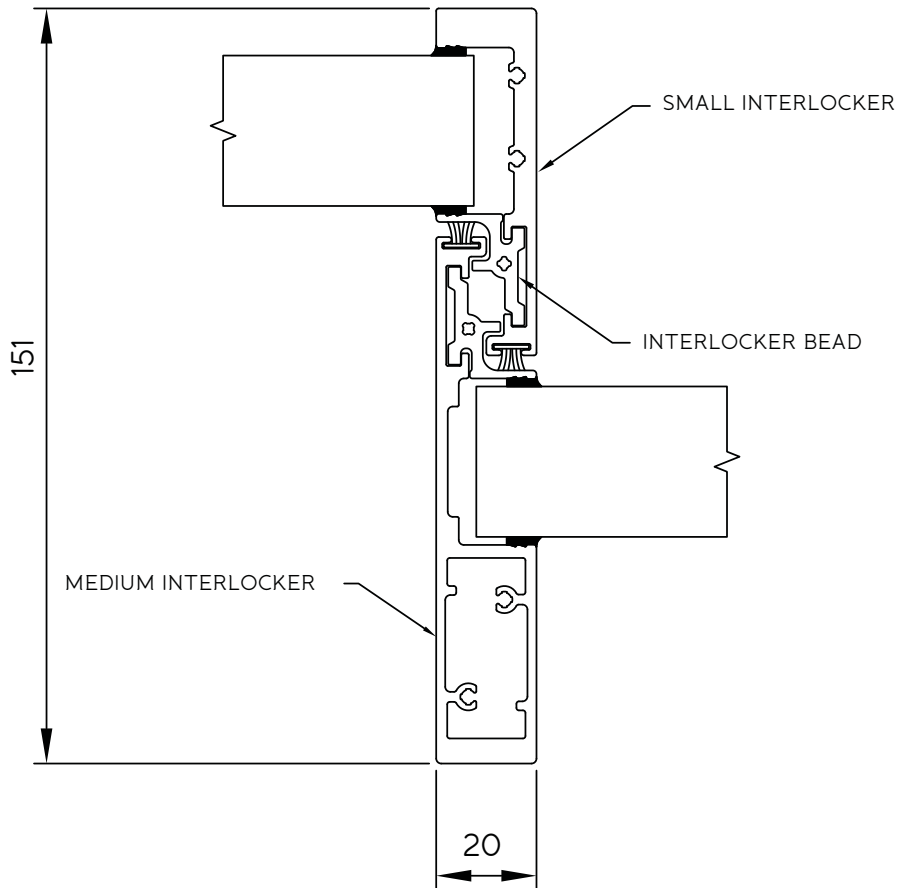


For doors up to 2325mm high

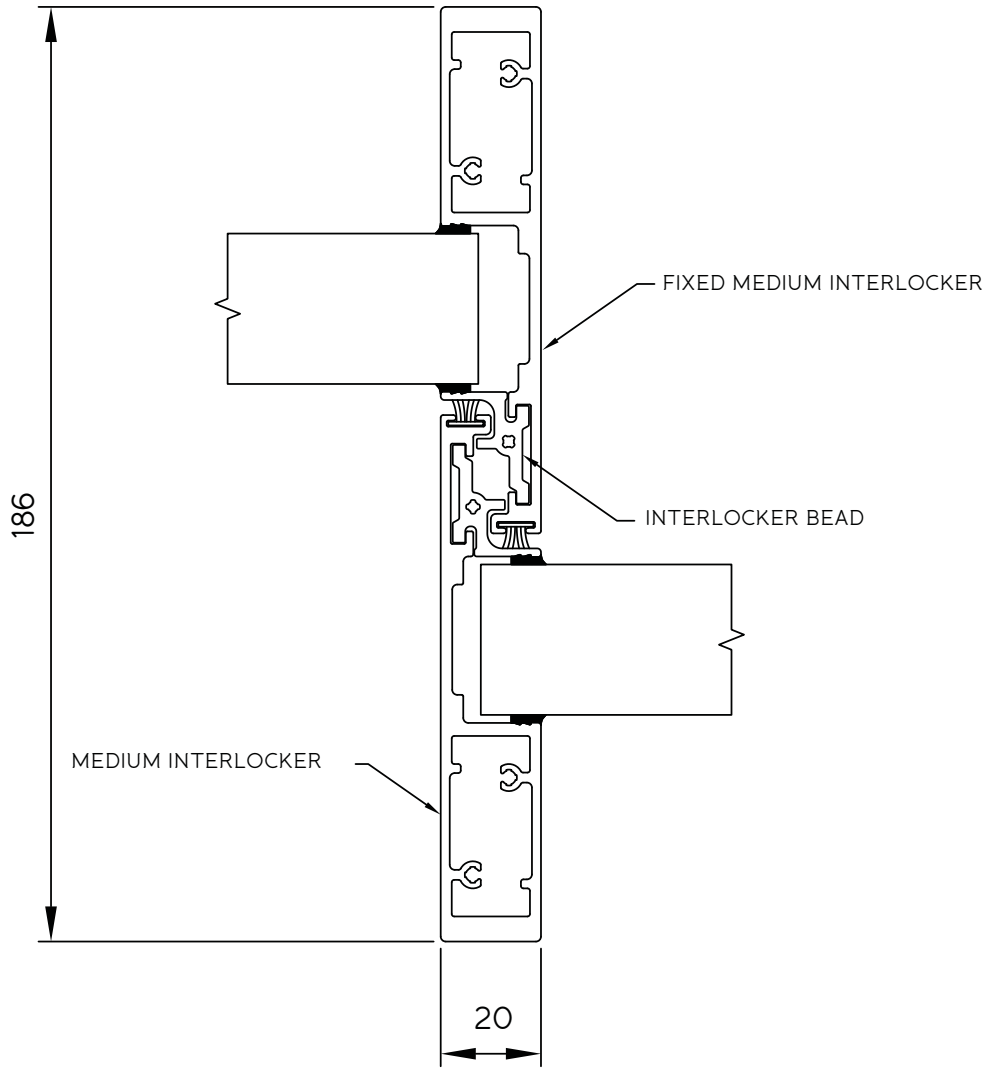
For doors between 2326mm and 2625mm high

For doors between 2626mm and 3000mm high

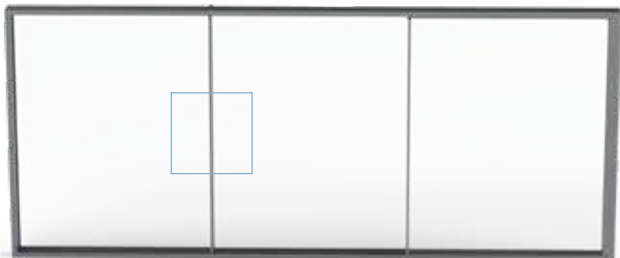
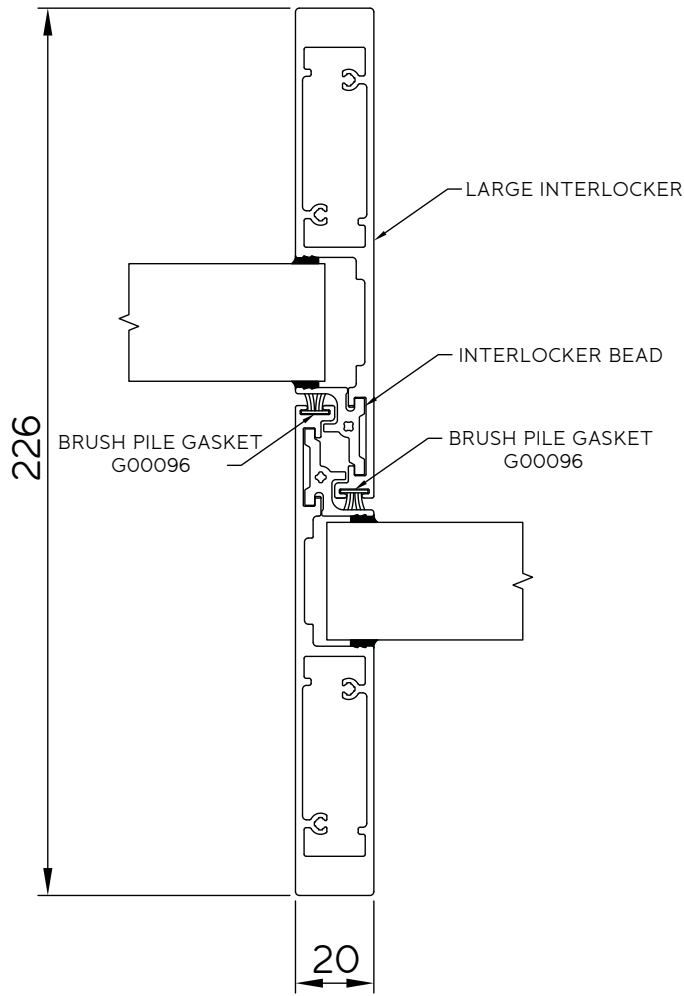
1a Fixed Small Interlocker To Sliding Medium Interlocker Detail



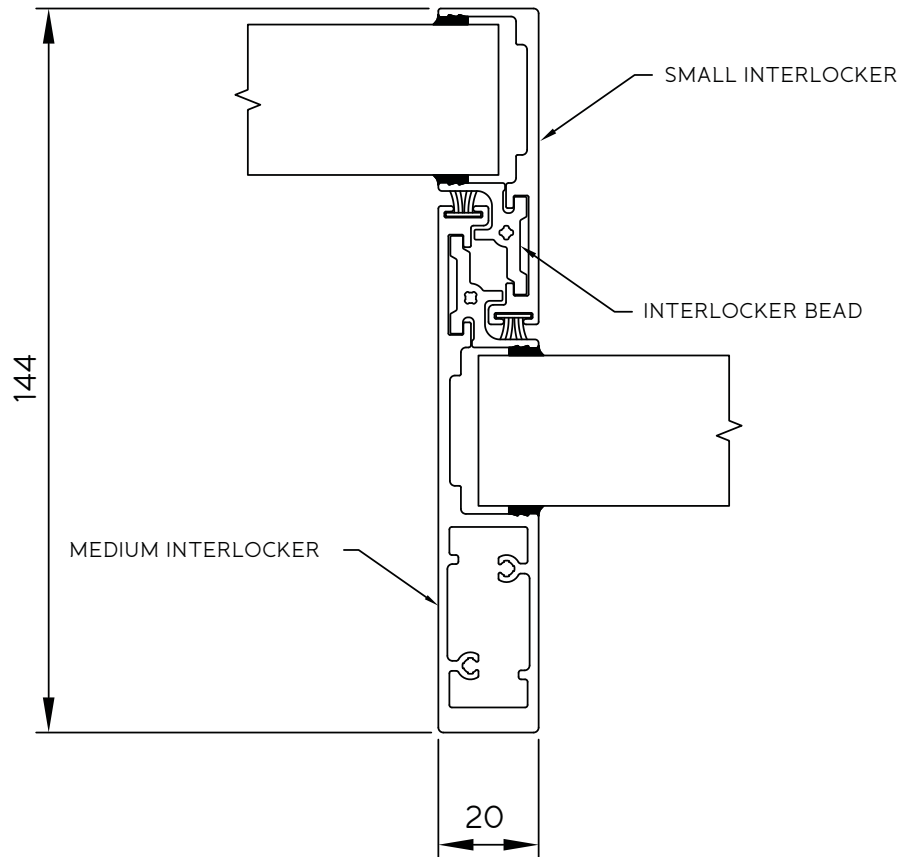
1b Fixed Medium Interlocker To Sliding Medium Interlocker Detail



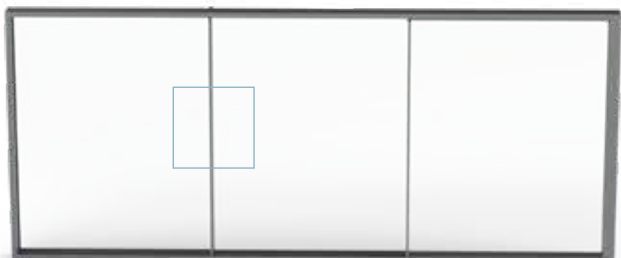
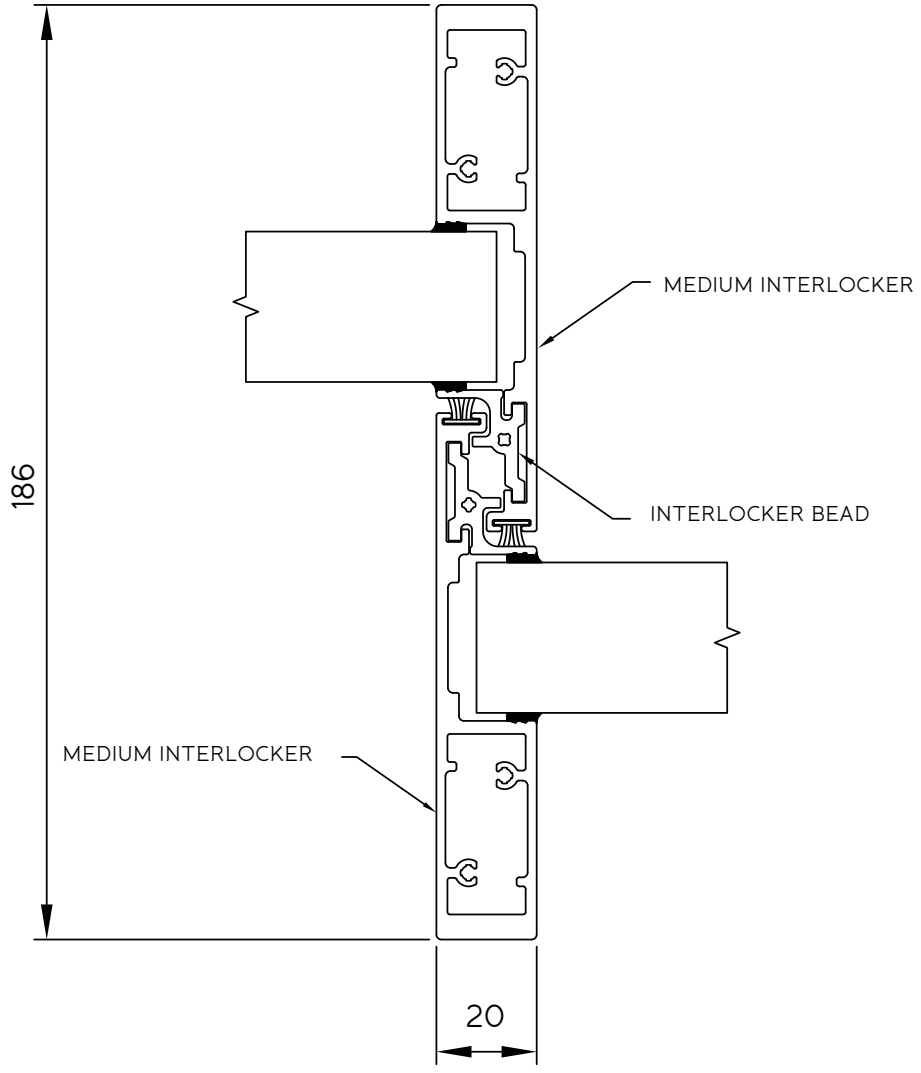
1c Fixed Large Interlocker To Sliding Large Interlocker Detail



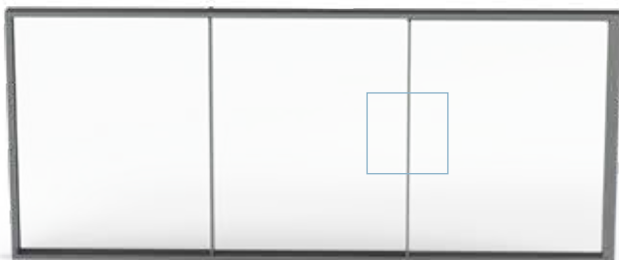
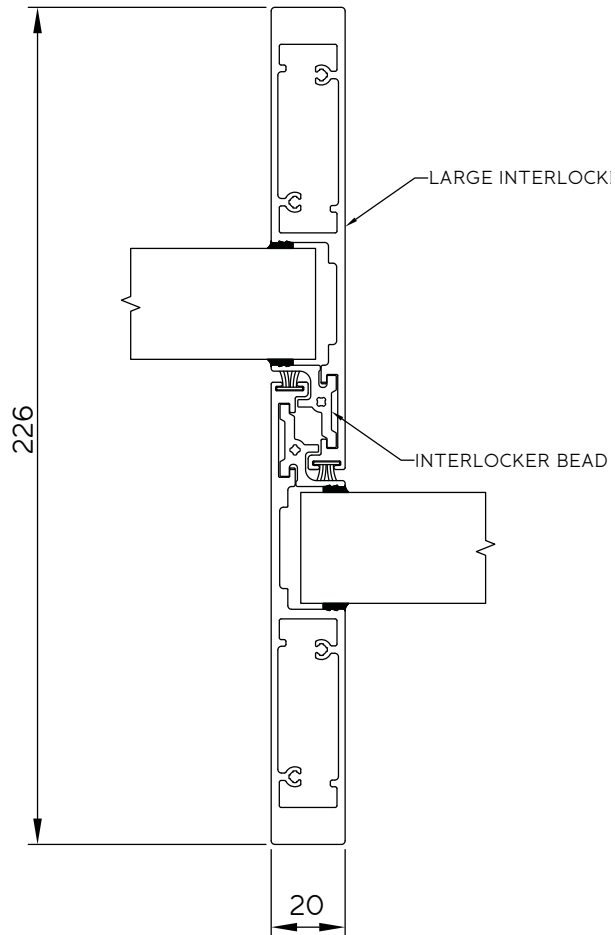
2a Sliding Small Interlocker To Sliding Medium Interlocker Detail



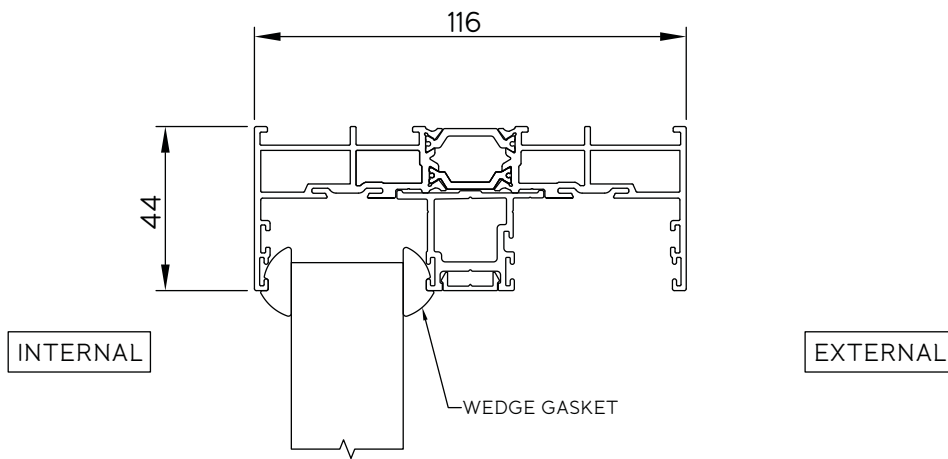
2b Sliding Medium Interlocker To Sliding Medium Interlocker Detail



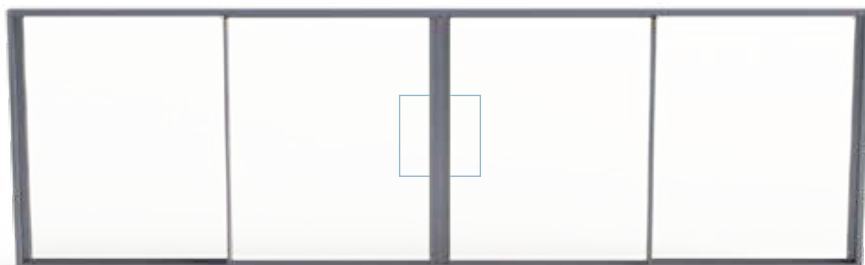
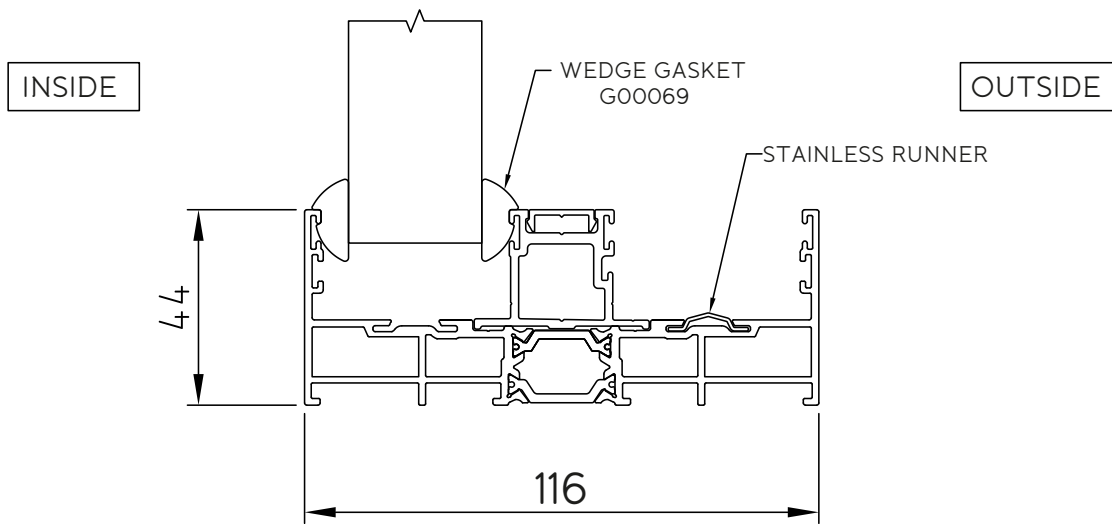
2c Sliding Large Interlocker to Sliding Large Interlocker Detail



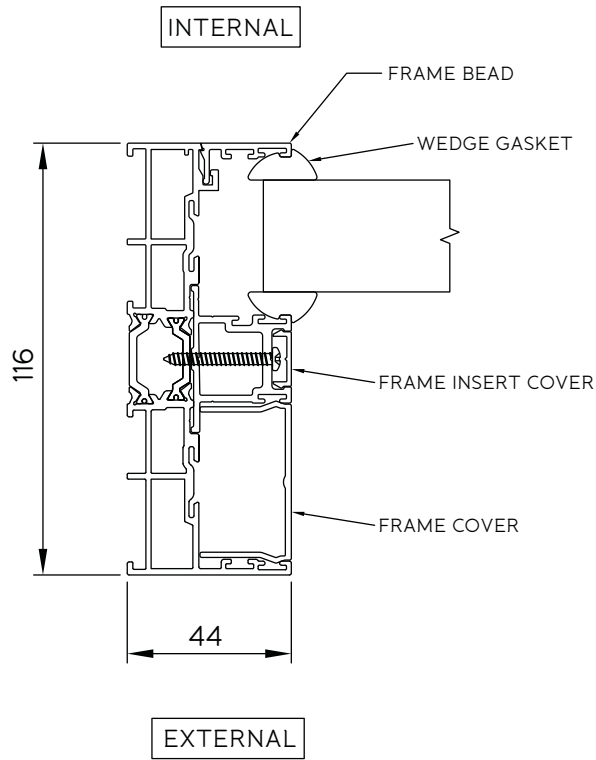
3 Fixed Panel To Double Frame (Top Track) Detail



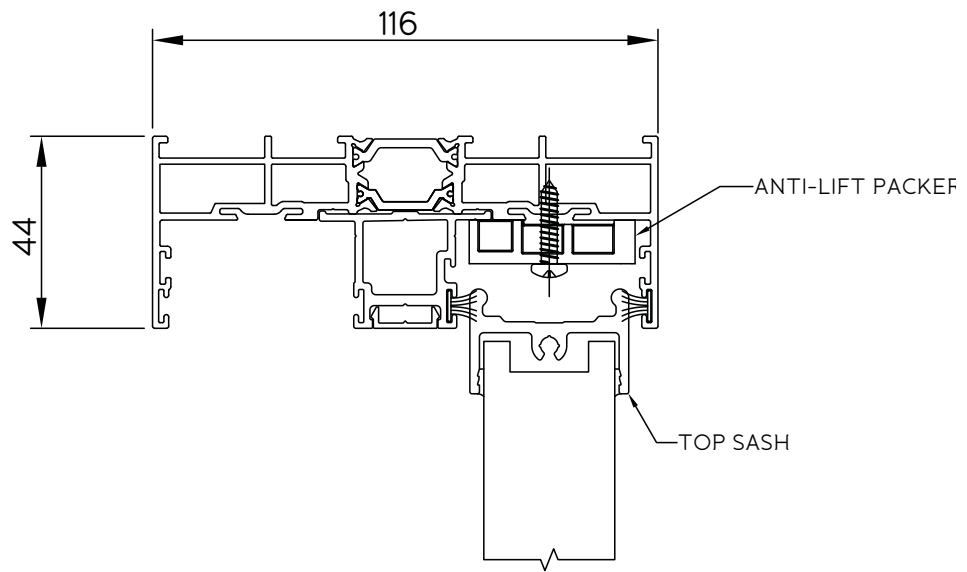
4 Fixed Panel To Double Frame (Bottom Track) Detail



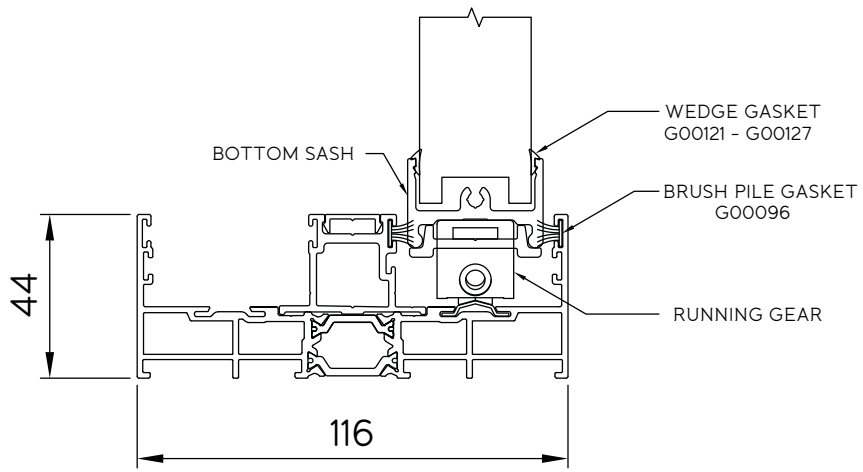
5 Fixed Panel To Double Frame (Jamb) Detail



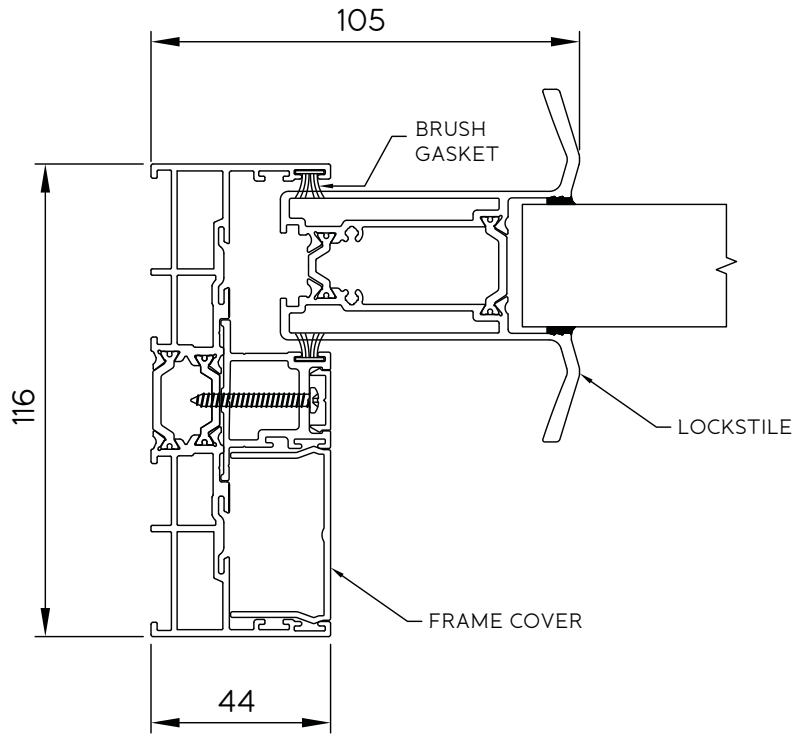
6 Sliding Panel To Double Frame (Top Track) Detail



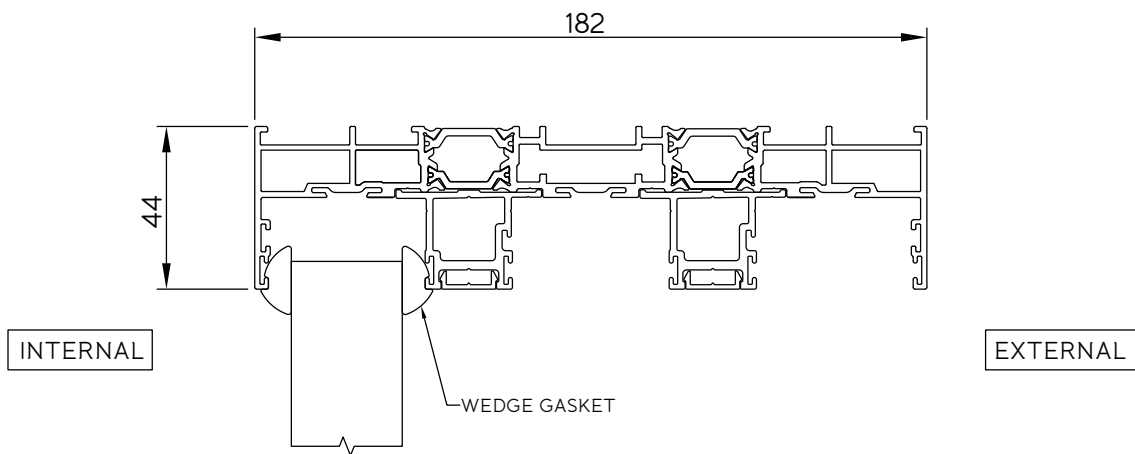
7 Sliding Panel To Double Frame (Bottom Track) Detail



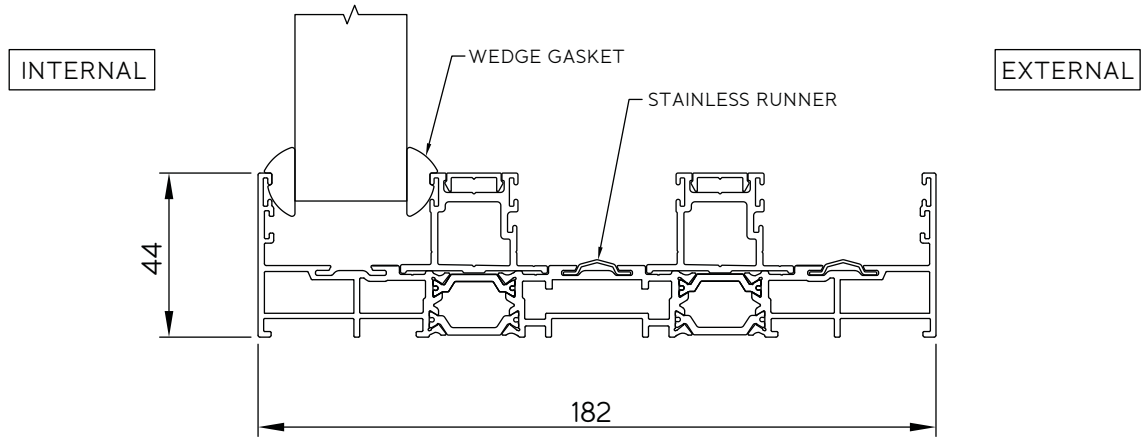
8 Sliding Panel To Double Frame (Jamb) Detail



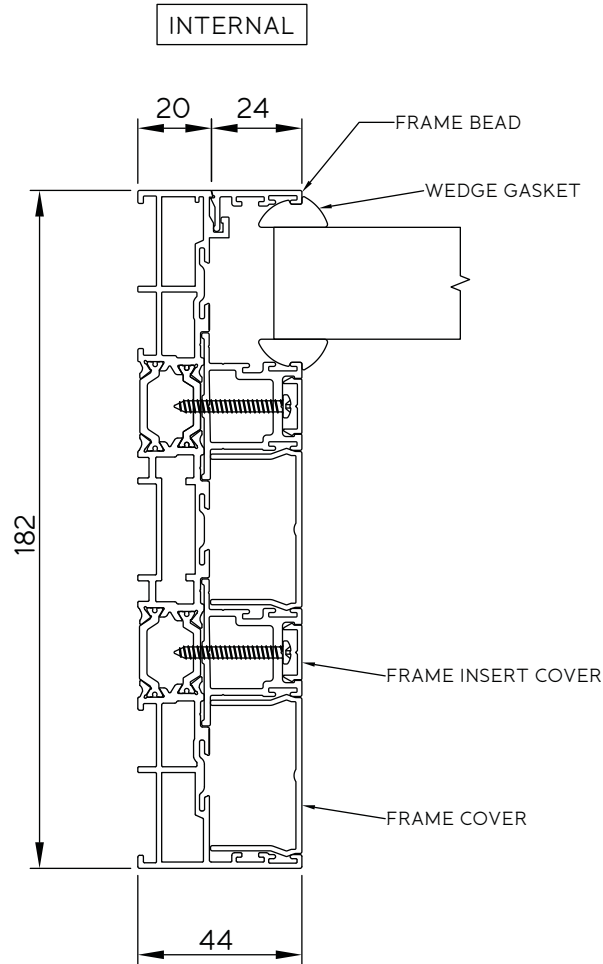
9 Fixed Panel To Triple Frame (Top Track) Detail



10 Fixed Panel To Triple Frame (Bottom Track) Detail



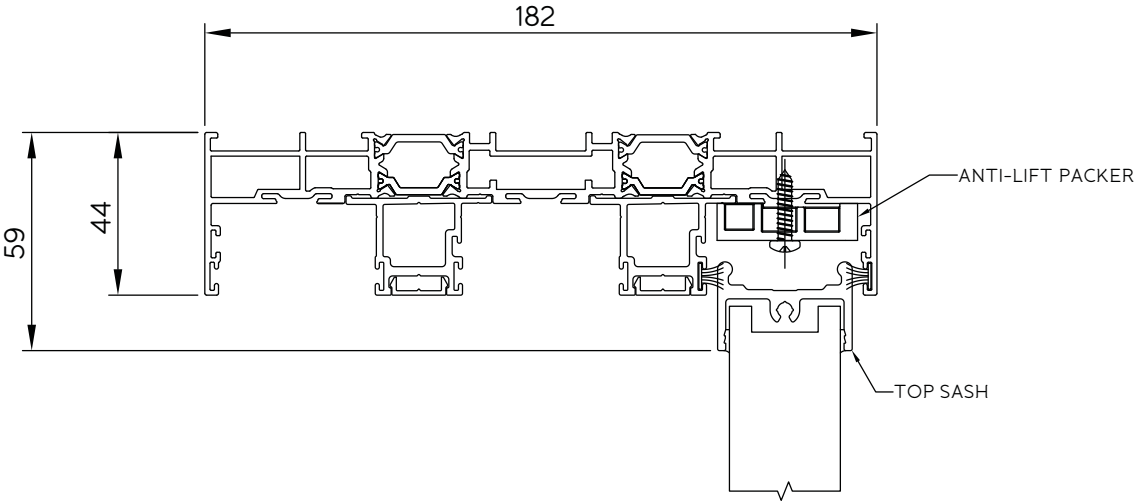
11 Fixed Panel To Triple Frame (Jamb) Detail



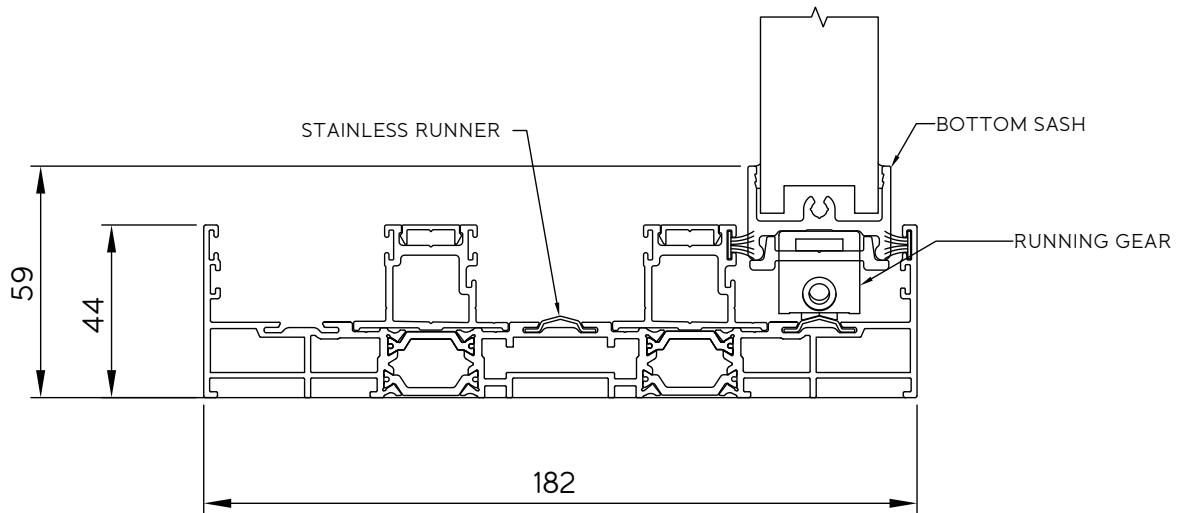
EXTERNAL



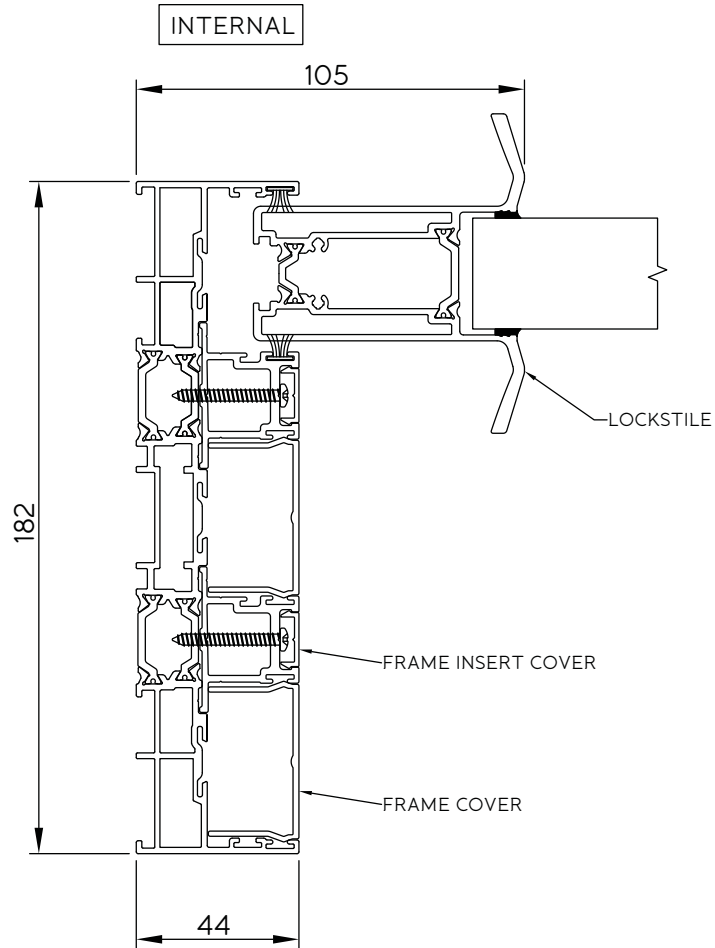
12 Sliding Panel To Triple Frame (Top Track) Detail



13 Sliding Panel To Triple Frame (Bottom Track) Detail



14 Sliding Panel To Triple Frame (Jamb) Detail

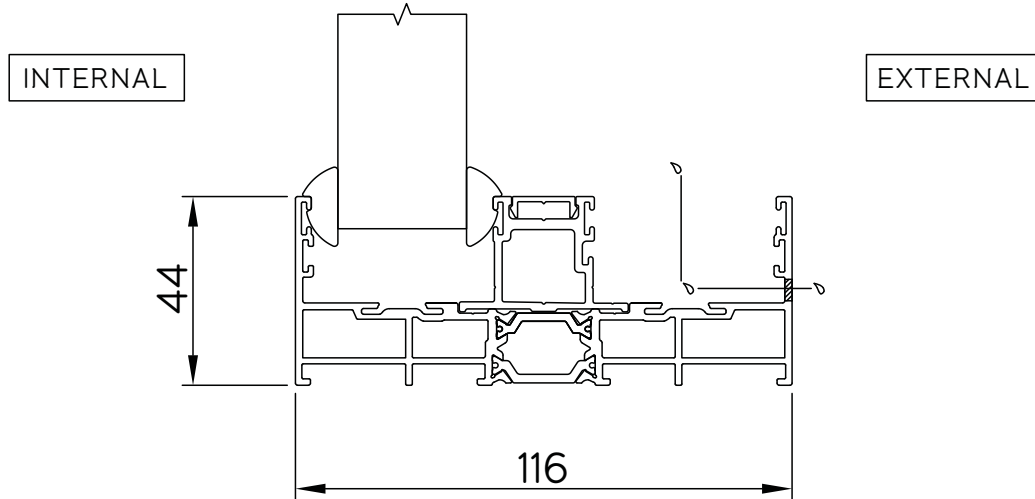


EXTERNAL

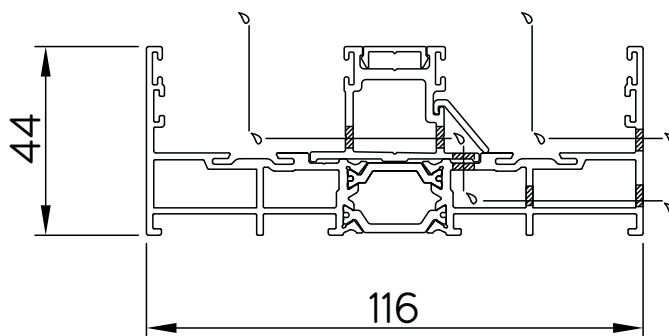


15 Drainage Details Double Frame Detail

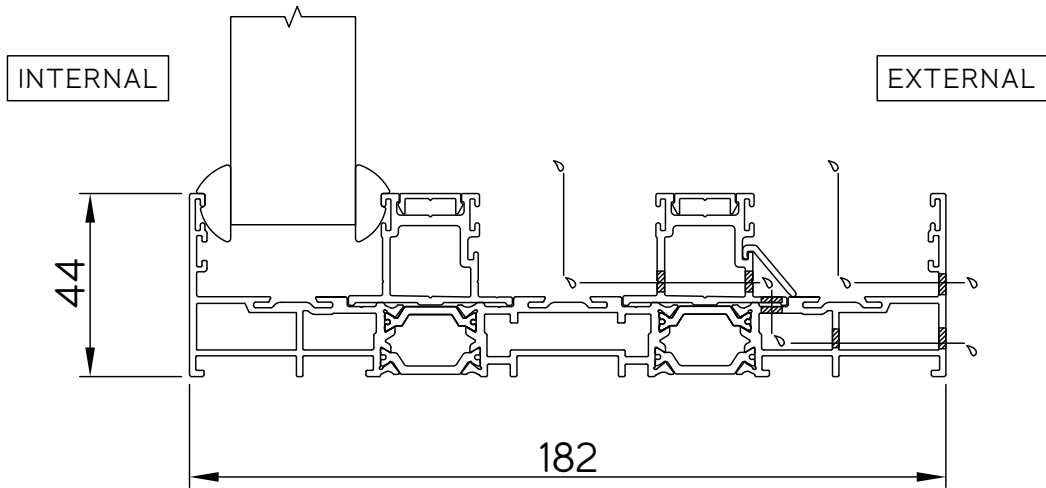
Frame Drainage with Fixed Panel



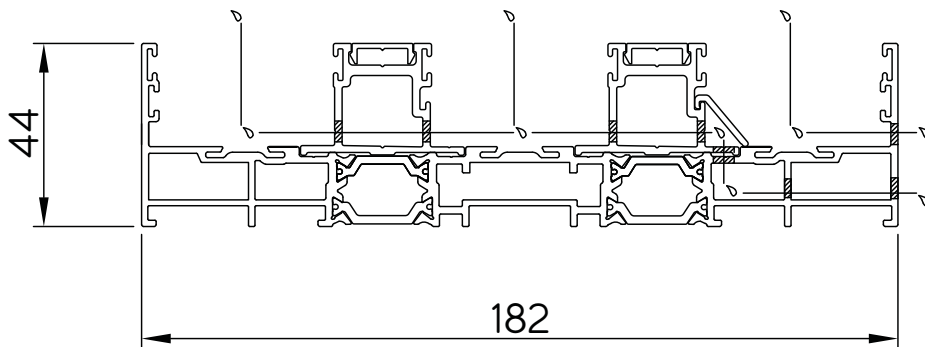
Frame Drainage



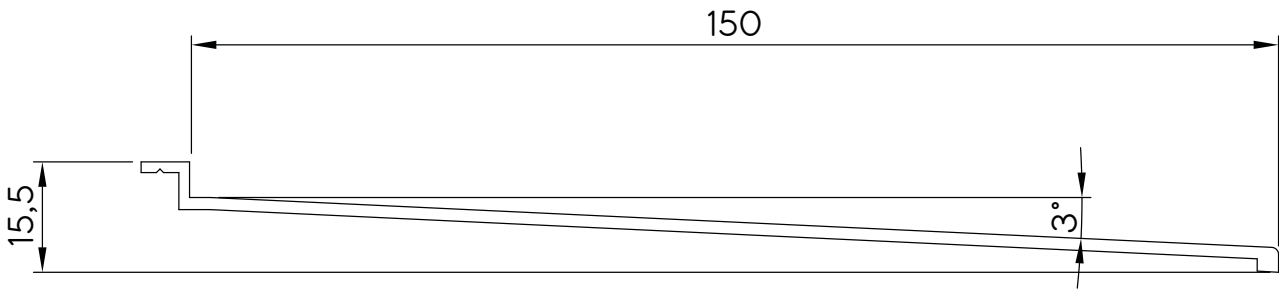
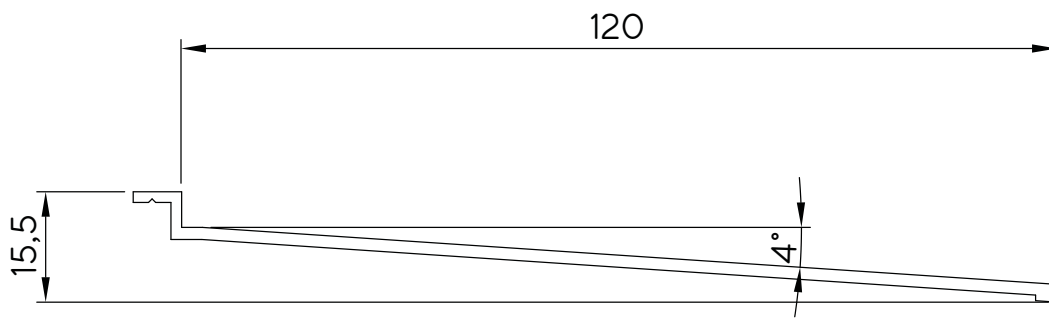
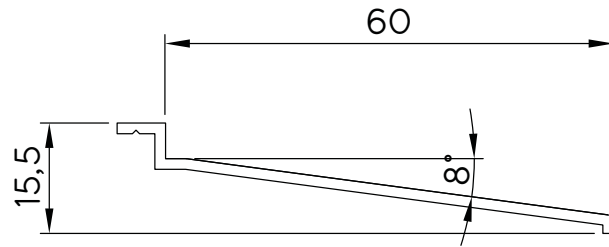
16 Drainage Details Triple Frame Detail



Frame Drainage

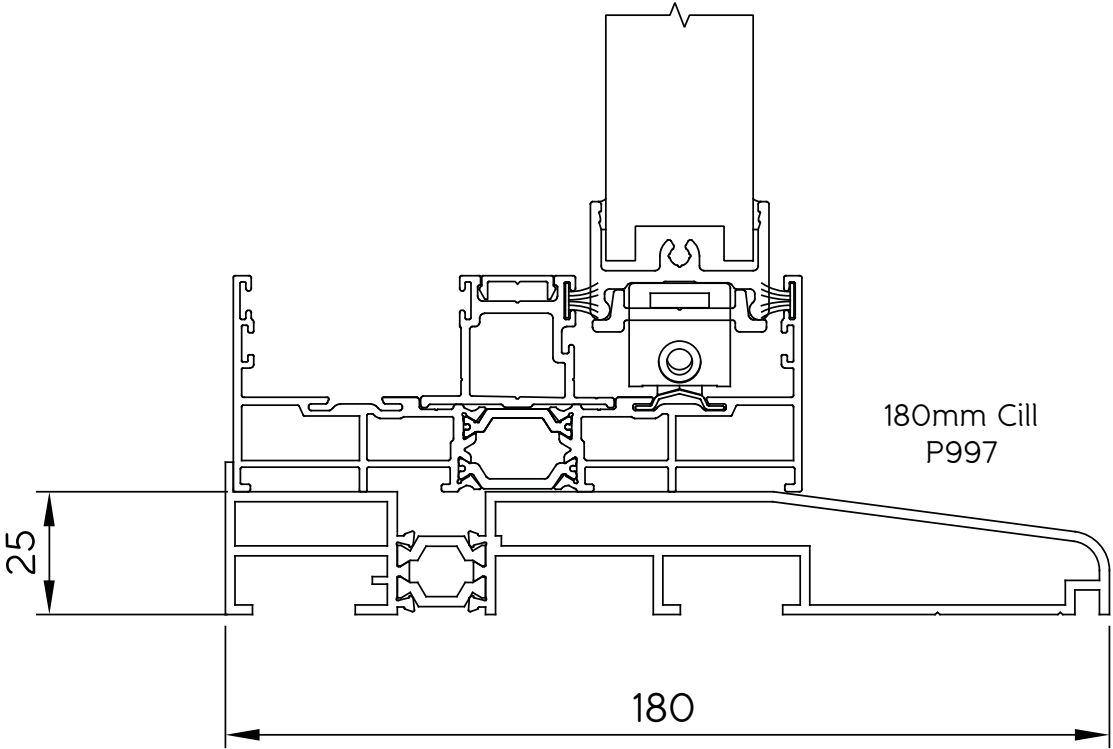


17 Drip Bar (Optional Extra) Detail

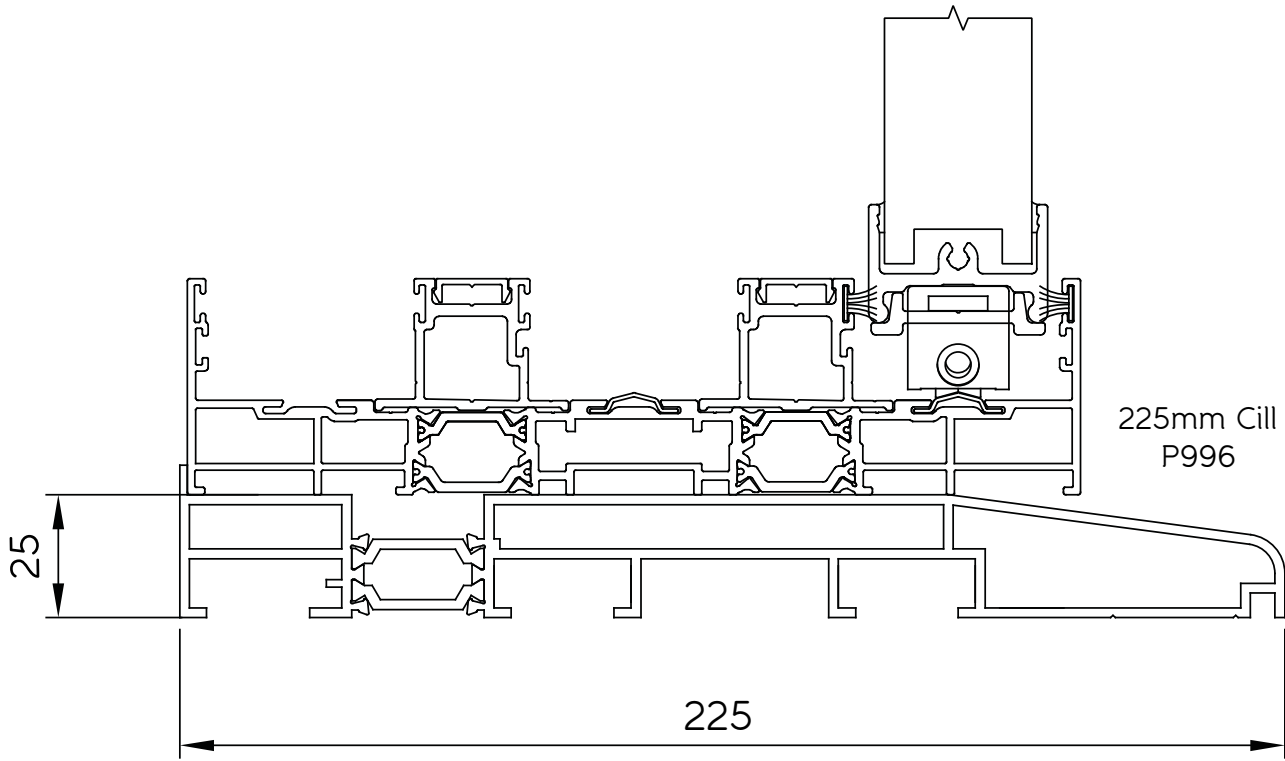


18a

Cill Double Frame Detail

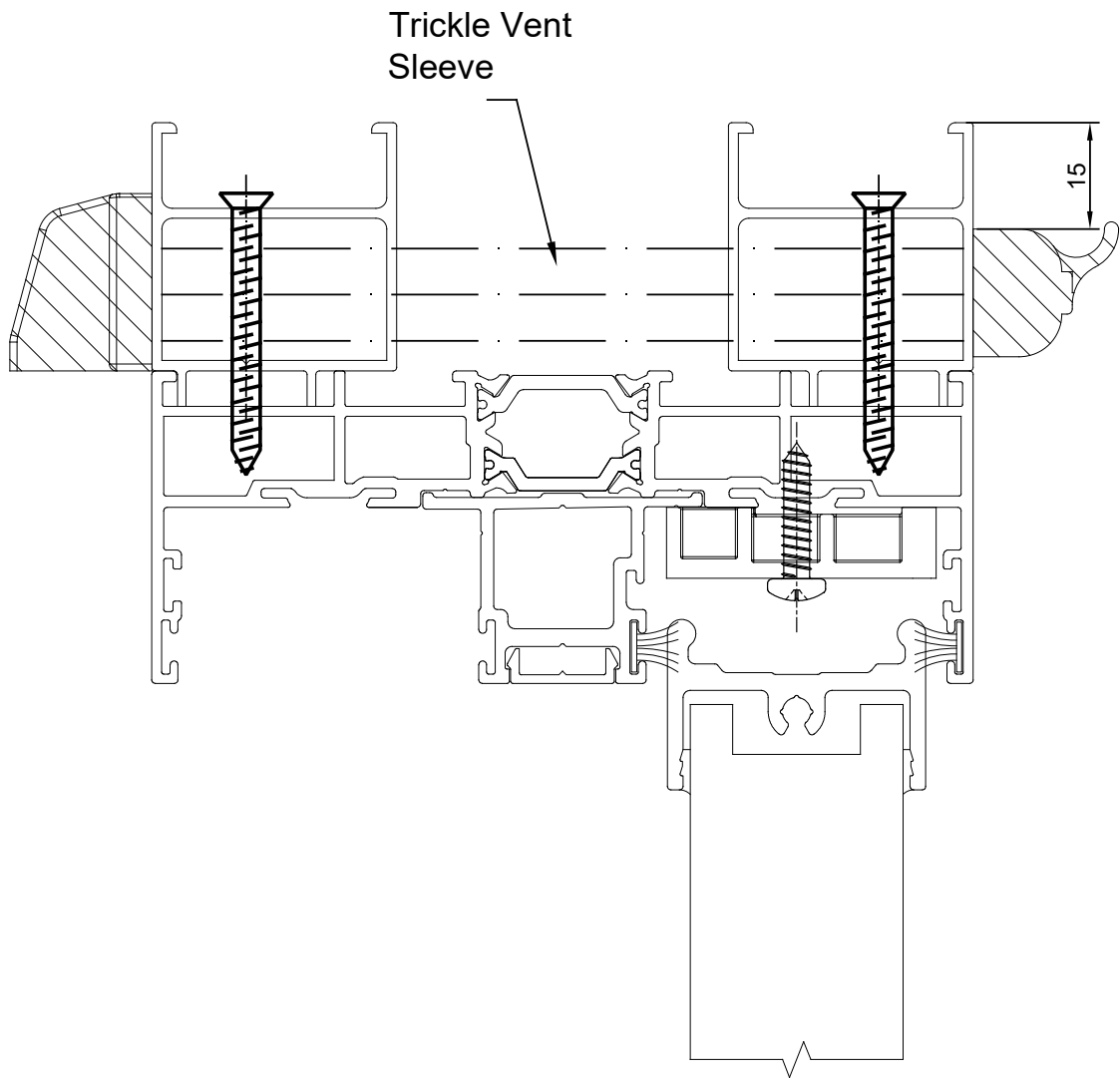


18b Cill Triple Frame Detail

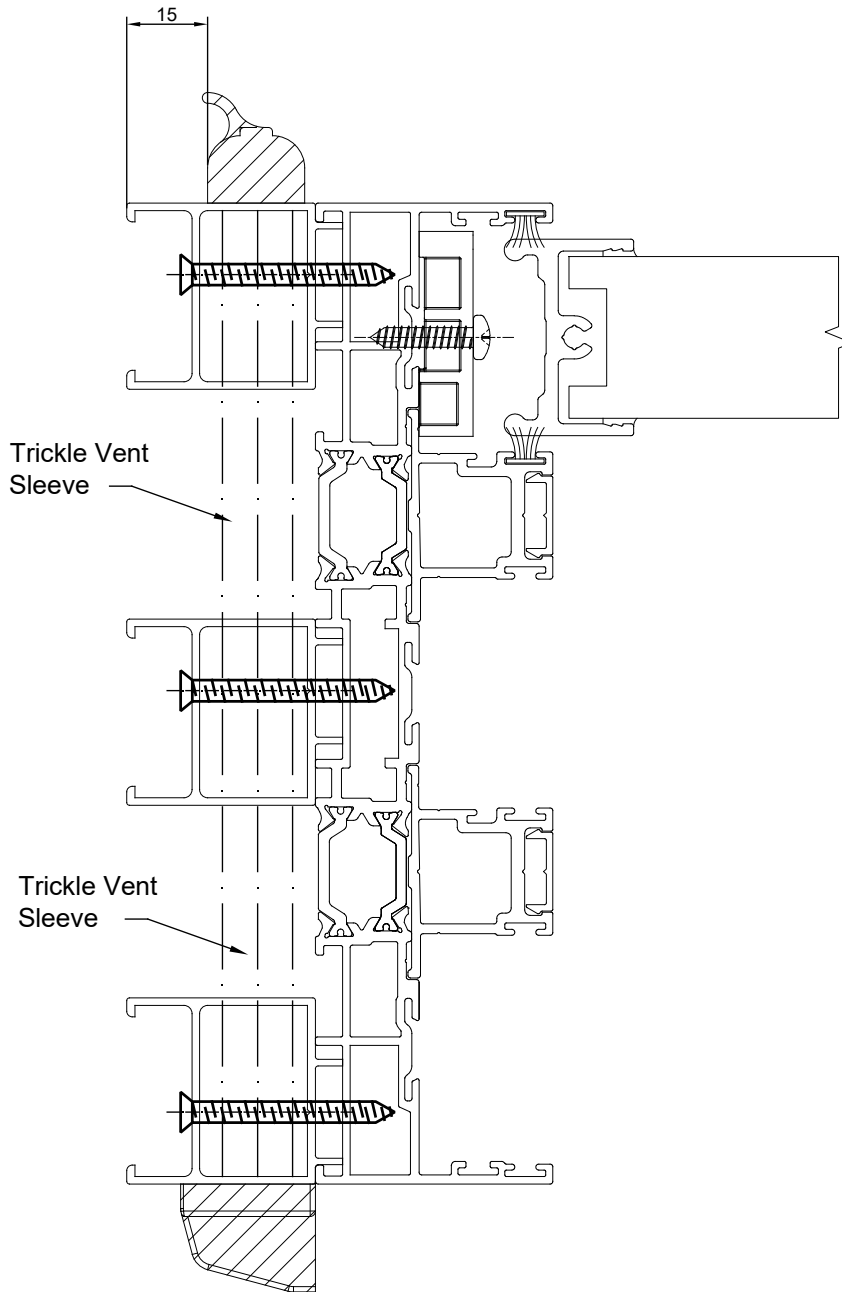


19a

Frame Extender (Double Frame) Detail



19b Frame Extender (Triple Frame) Detail

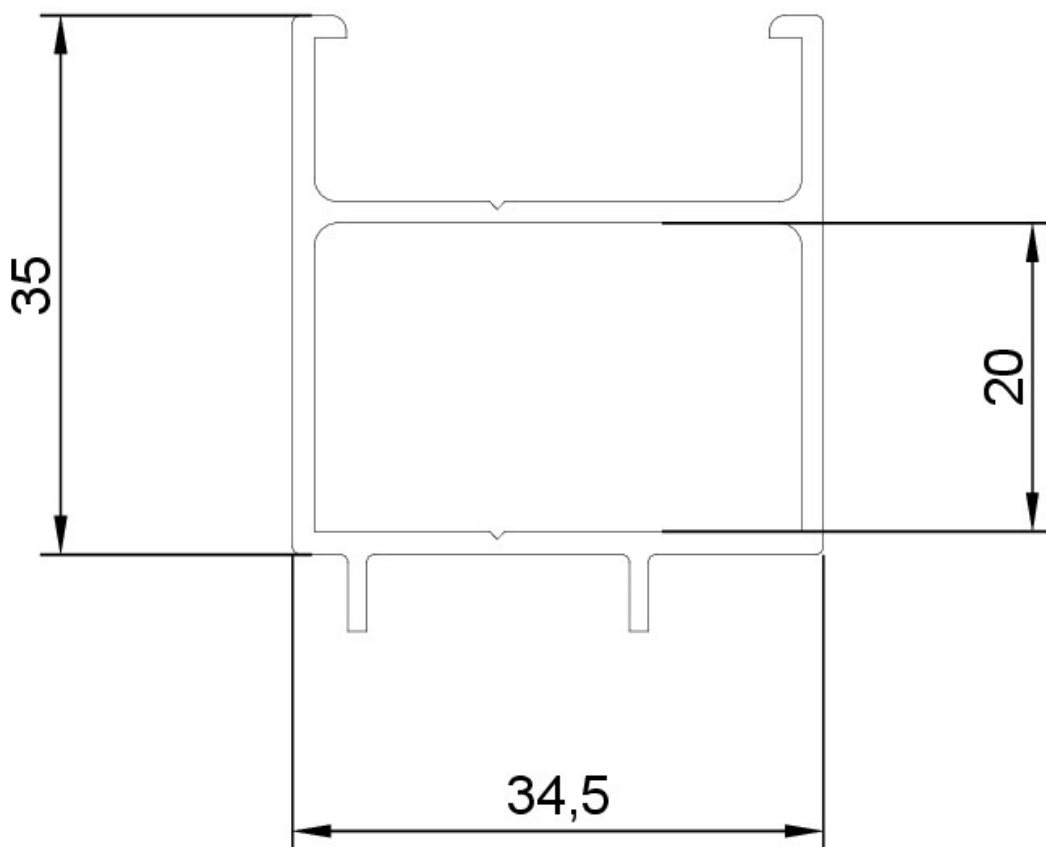


19c

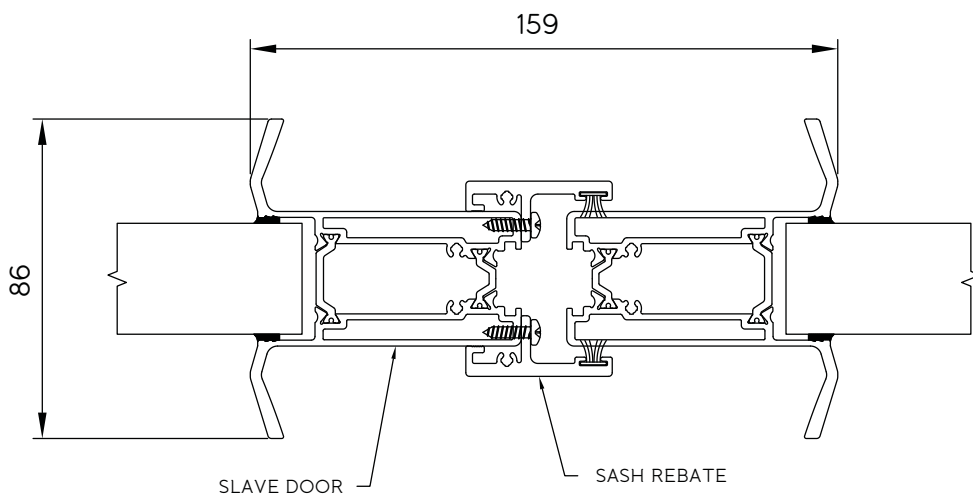
35mm Frame Extender Detail (Optional Extra)

A 35mm frame extender is available which allows for plaster lines on ceilings and also more room which also allow trickle vents to be fitted.

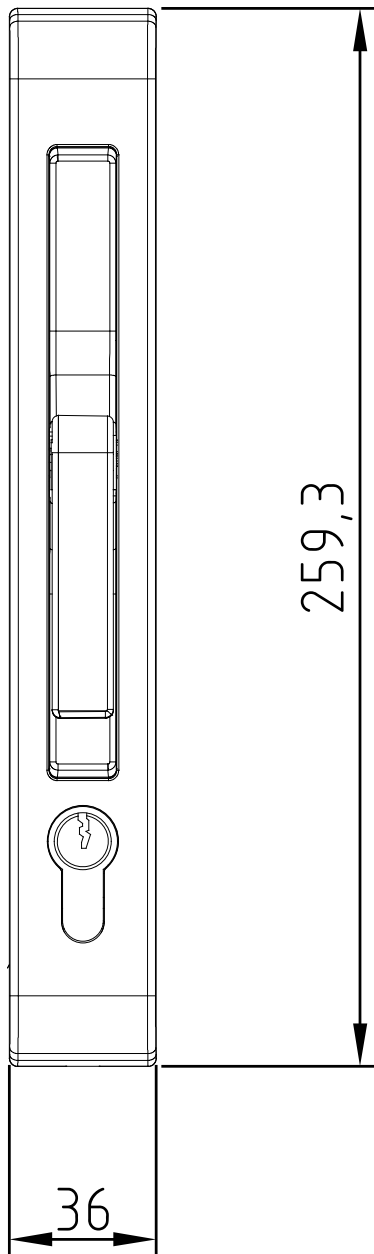
Please note an overall 15mm will need to be deducted from your measurements.



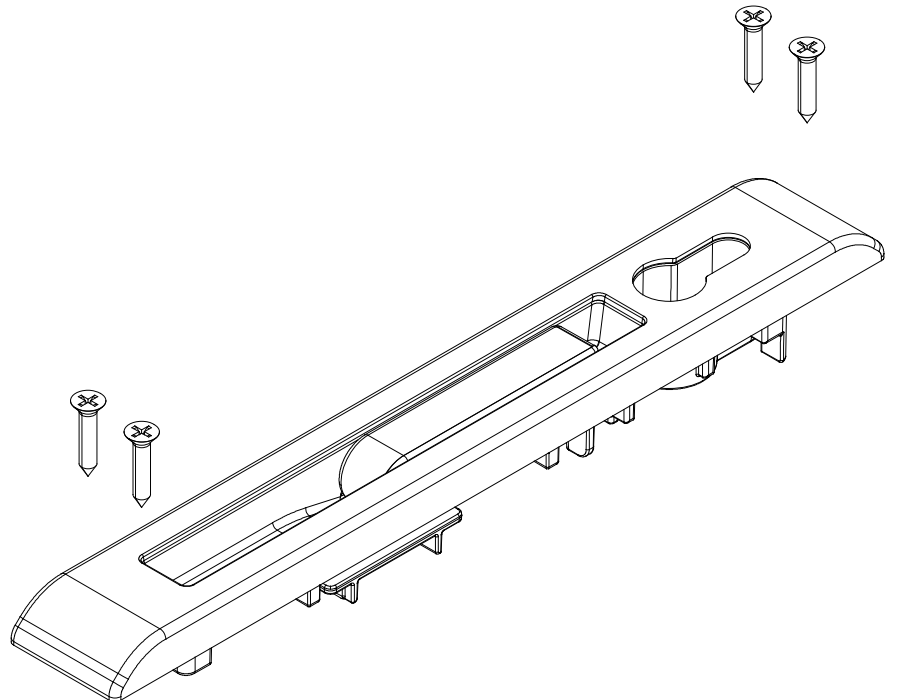
20 Sliding Panel To Sliding Panel Detail



Handles



Flush faced lever handle



Gaskets

Fixed Panel Wedge Gasket -

G00069



Sash Wedge Gasket

W401-3 - G00125



Sash Wedge Gasket

W401-4 - G00126



Sash Wedge Gasket

W401-5 - G00127



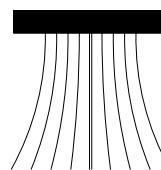
Sash Wedge Gasket

W401-6 - G00121



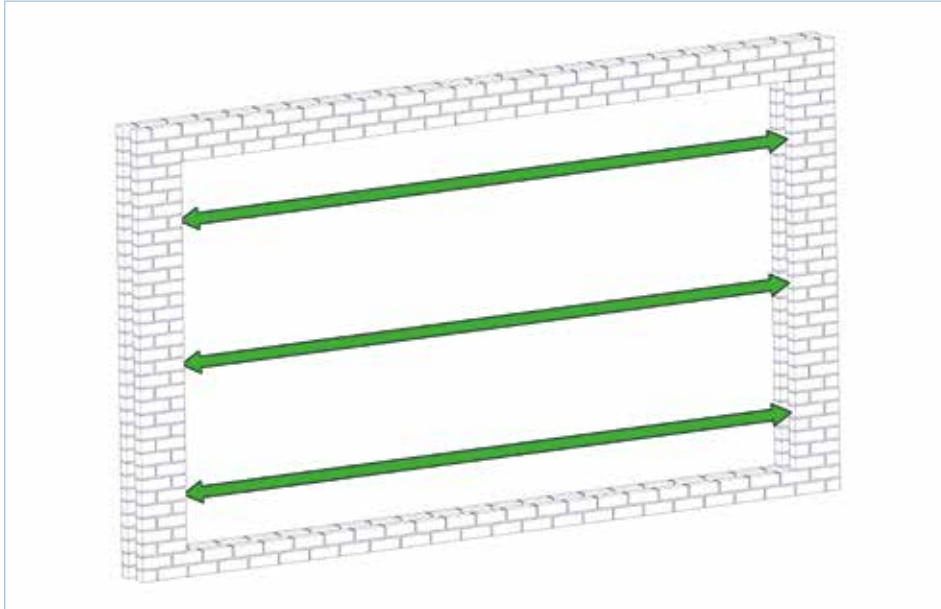
Woolpile 7x7mm

G00096



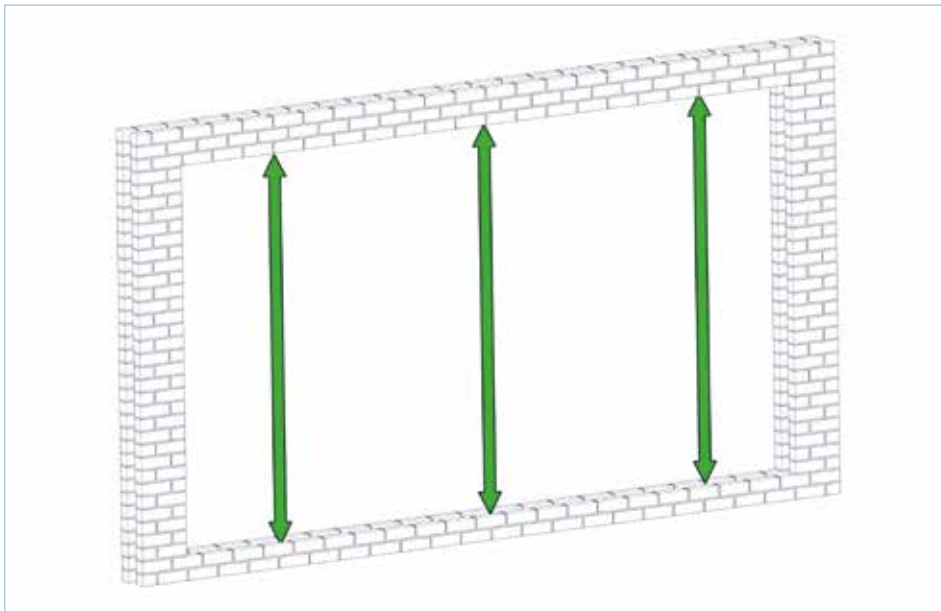
Installation Guide

1. Prepare the opening



Measure aperture width.

FIG 1



Measure aperture height.

FIG 2

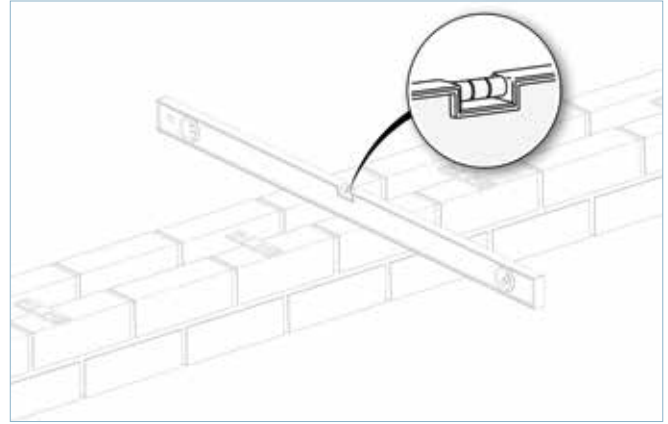
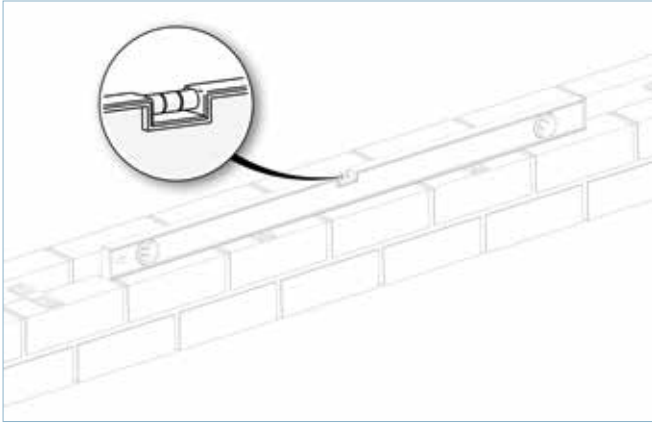
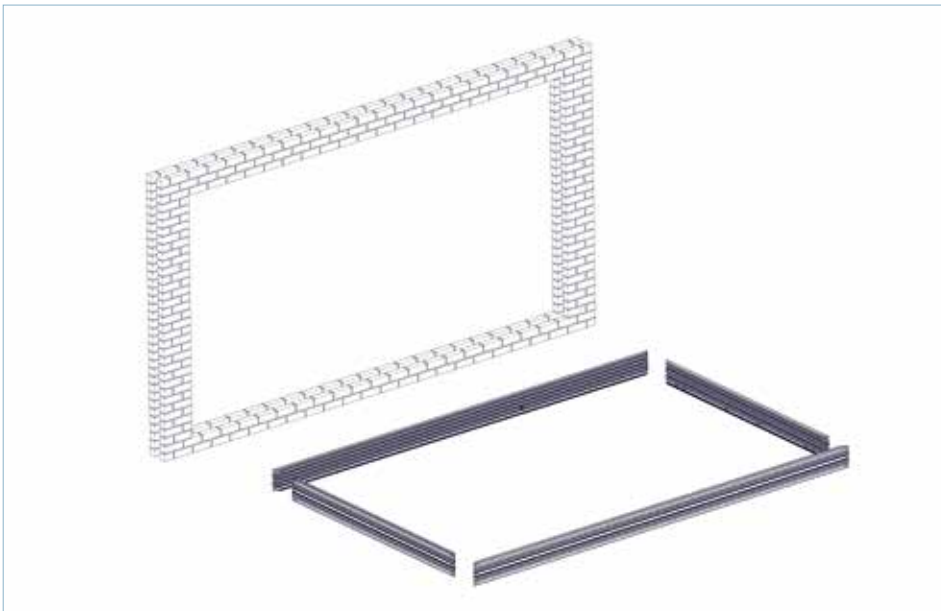


FIG 3

Level the threshold in both directions, packing every 500mm apart for the length of the opening.



Lay frame profiles in front of aperture, being careful not to scratch the powder coat.

FIG 4

2. If applicable, join the top/ bottom frame profiles together

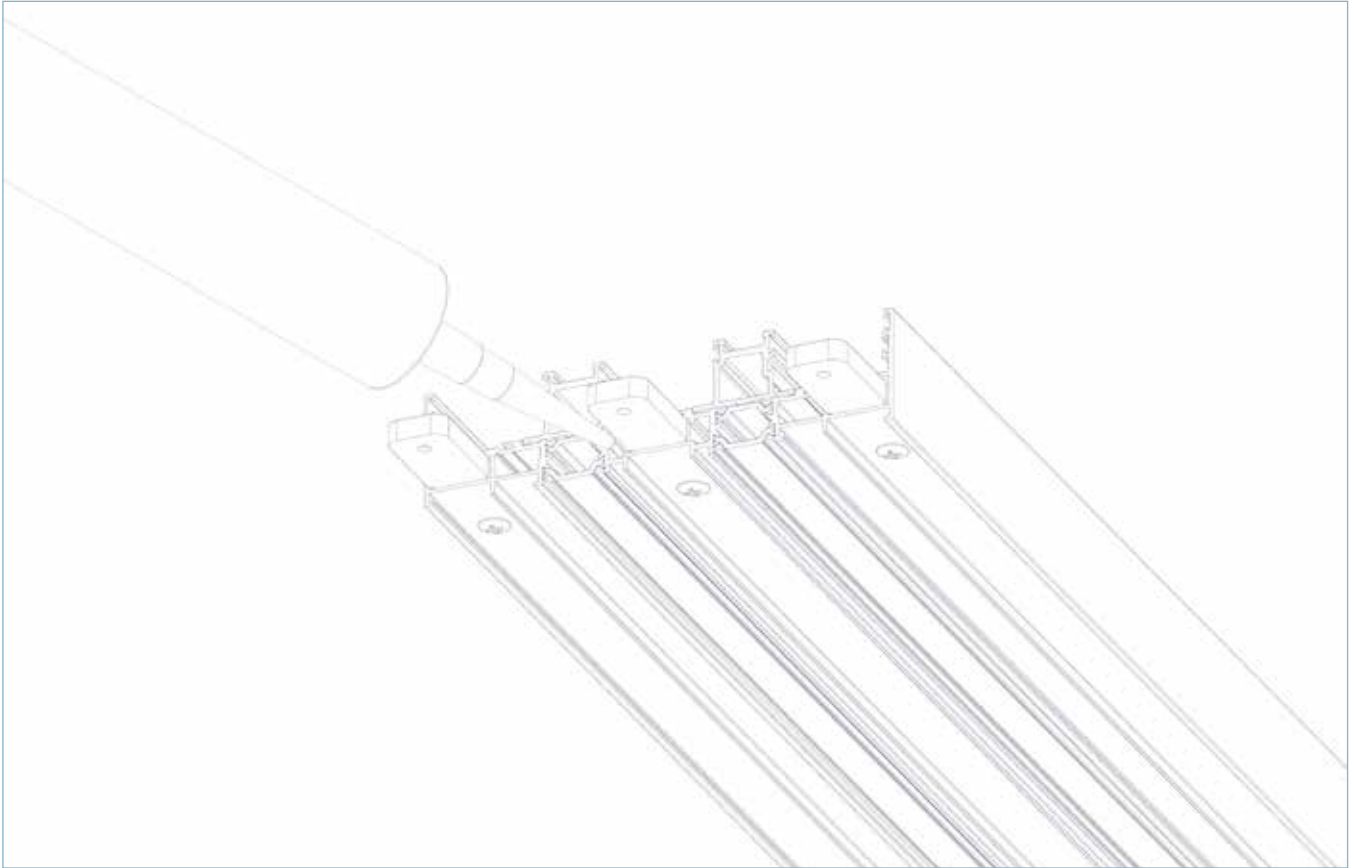
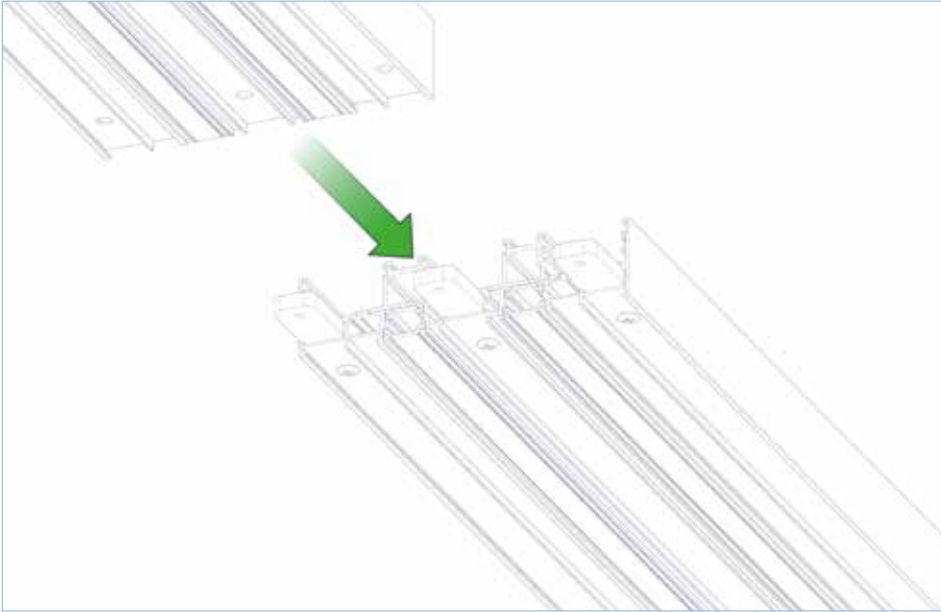


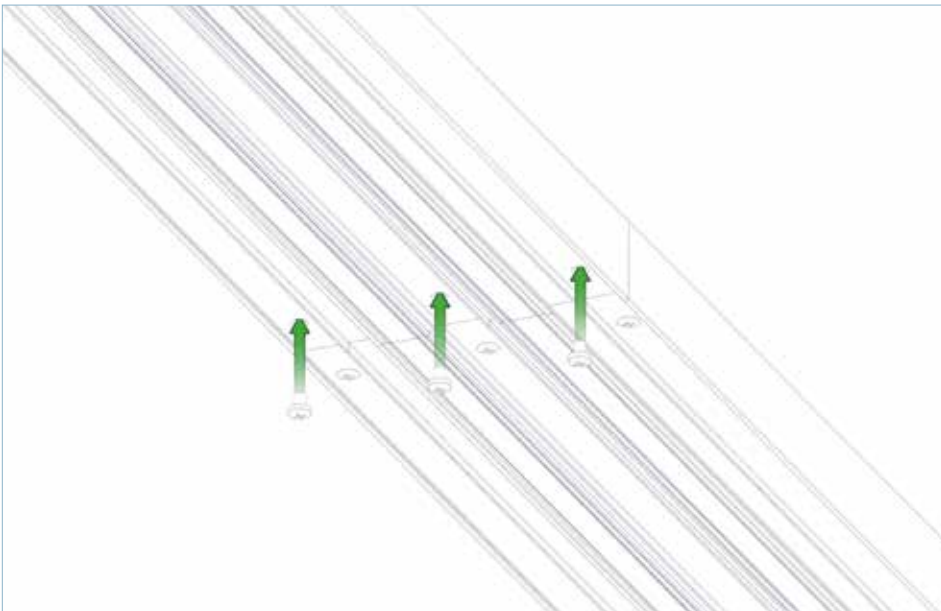
FIG 5

Apply suitable sealant on ends of profile and around the pre-inserted frame connectors.



Connect the frame profiles together.

FIG 6



Fix the frame profiles together and repeat for remaining frame pieces.

FIG 7

3. Connect the jambs and bottom track

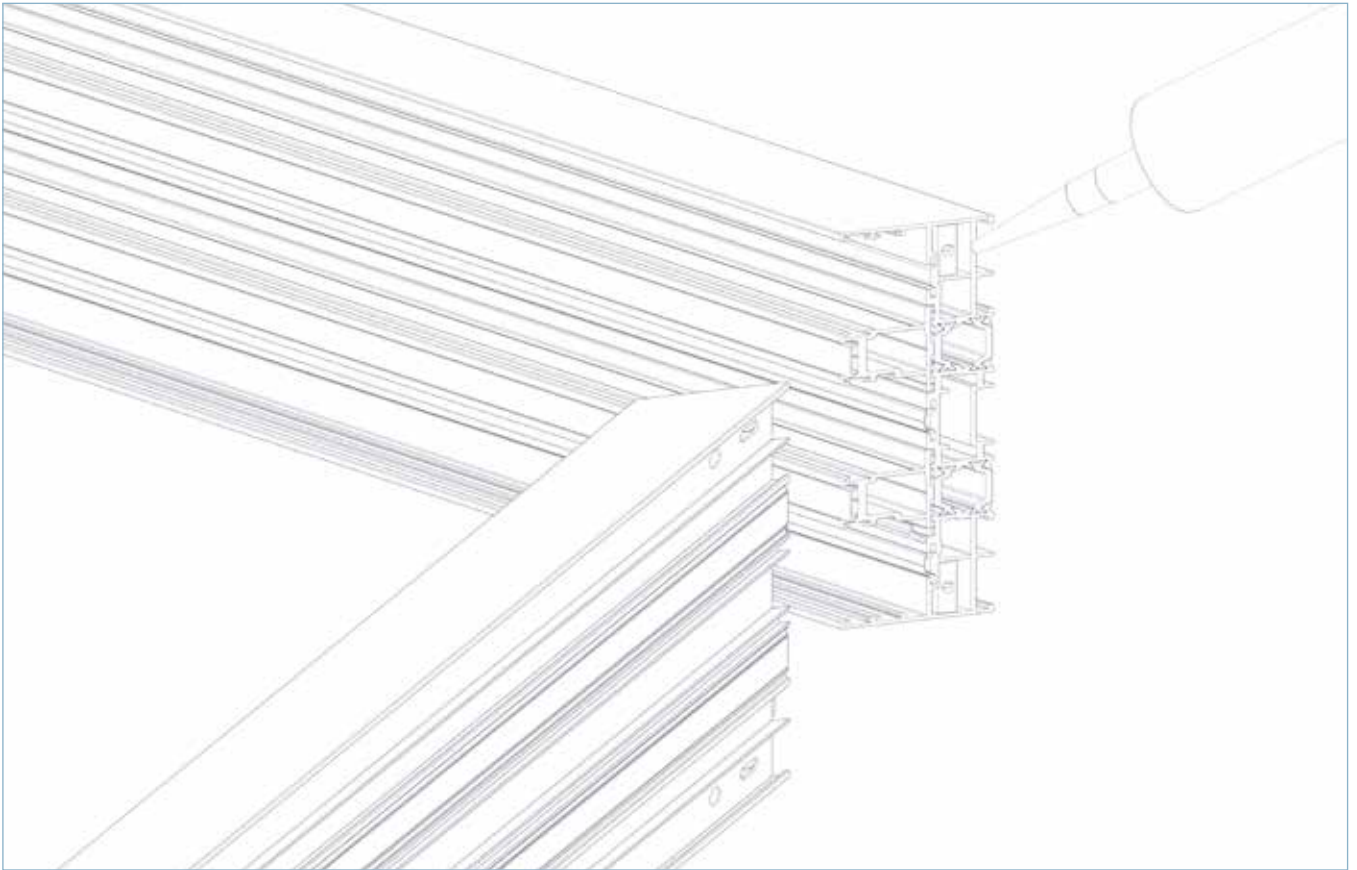
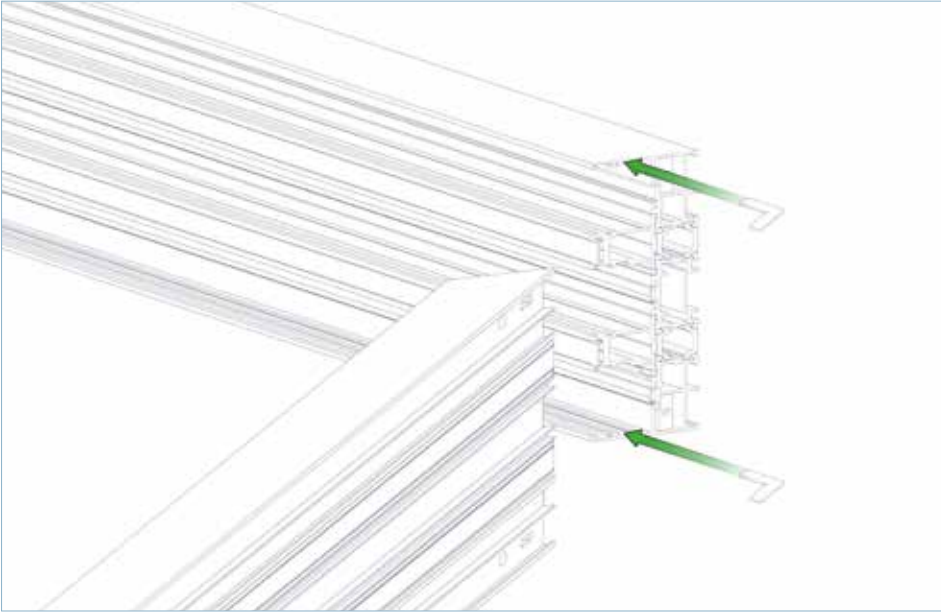


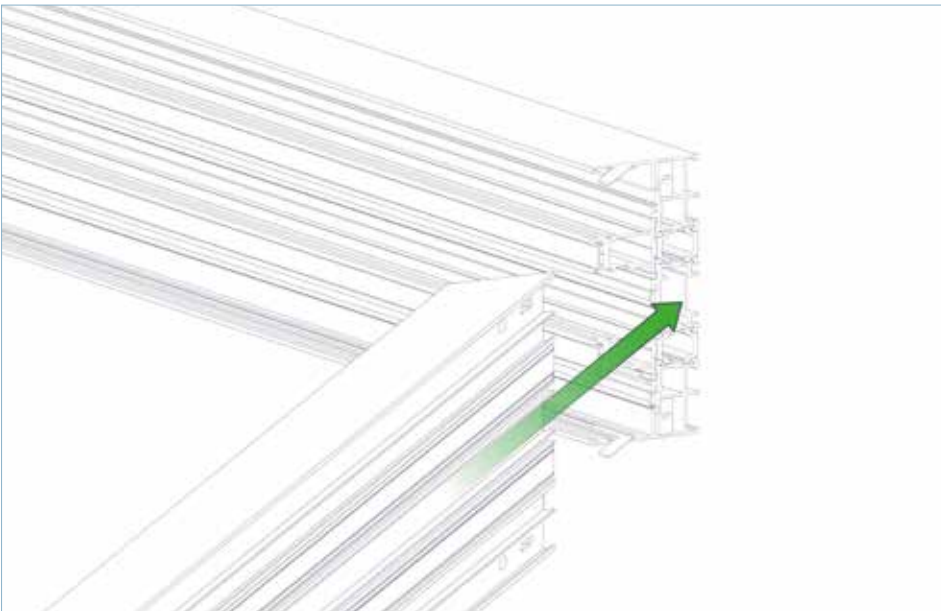
FIG 8

Apply suitable sealant to profile ends.



Insert alignment cleats to the frame. If set includes a fixed panel, one alignment cleat is required per corner and should be fitted in 25mm rebate.

FIG 9



Join jamb to bottom track.

FIG 10



Tighten the cleat joint with a 4mm Allen Key and screws provided.

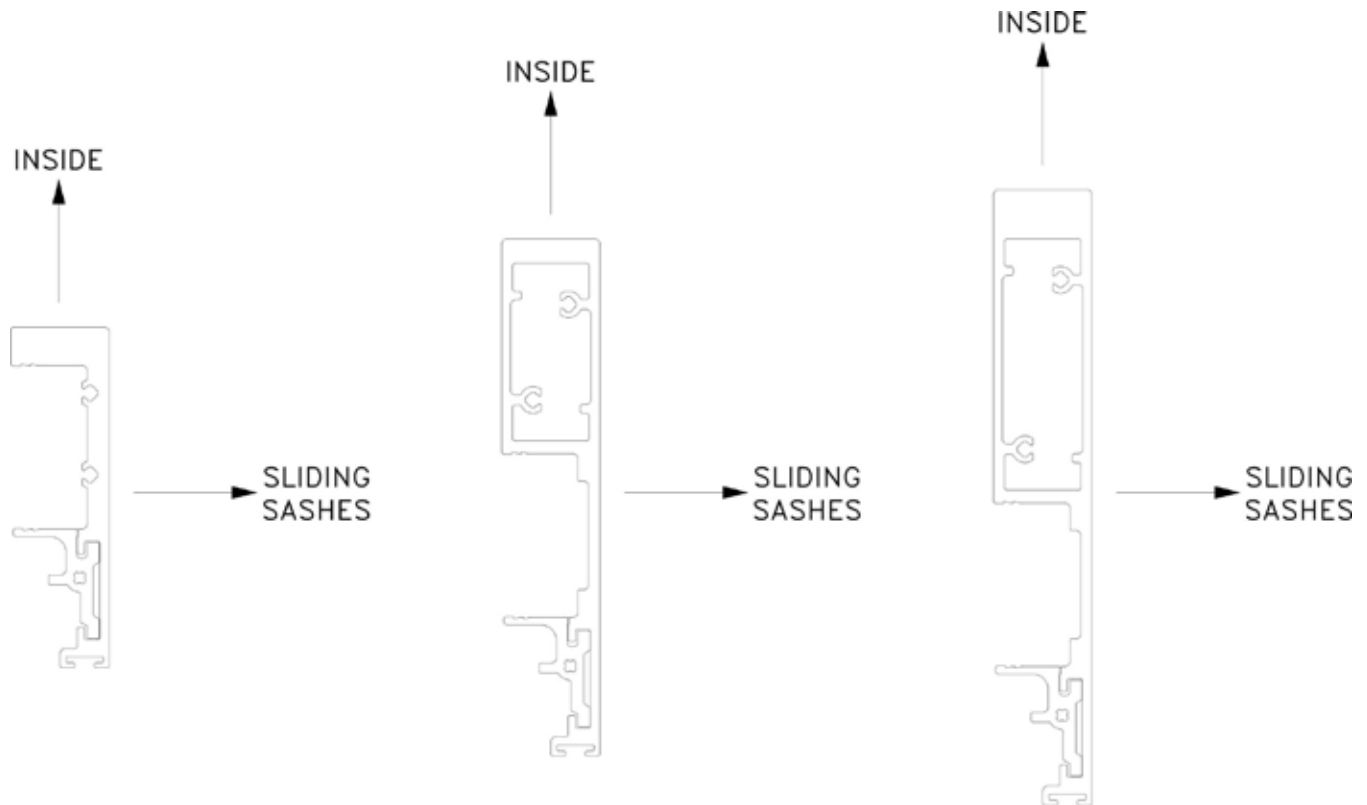
FIG 11



Check joint, remove excess sealant and repeat process for second jamb.

FIG 12

4. If applicable, connect the fixed interlocker (only applicable for sets with fixed panels)



Note: Flush fixed interlockers do not require end plates.

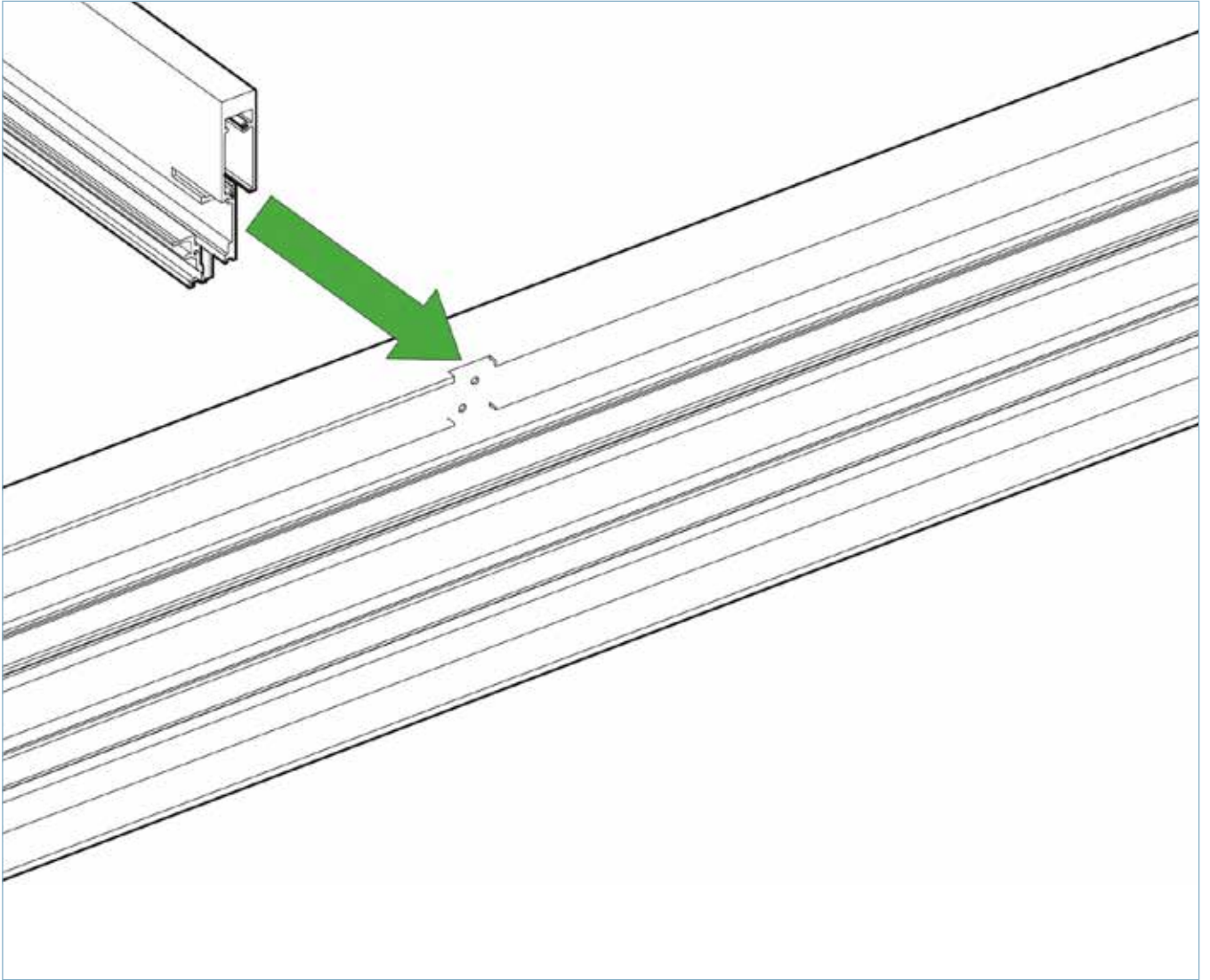
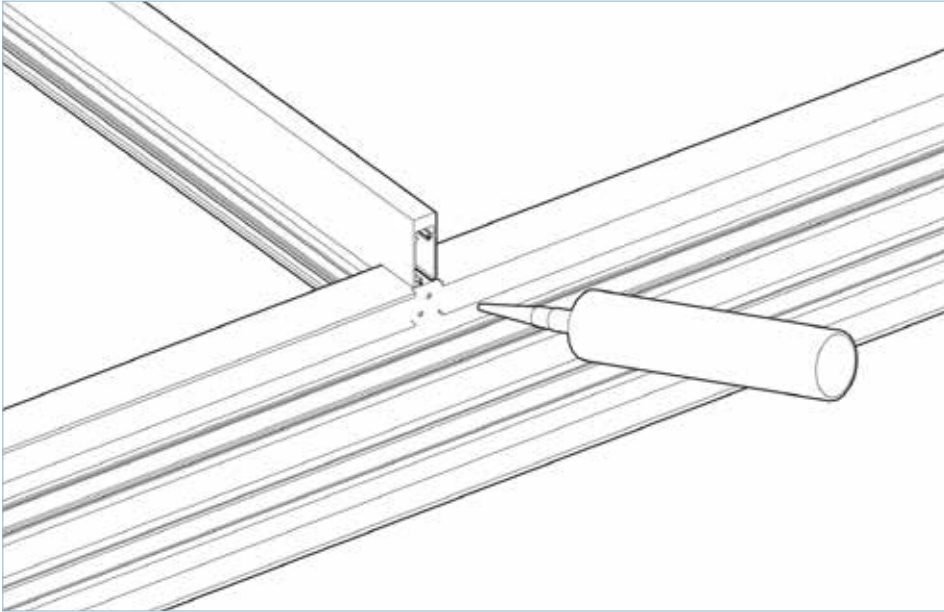


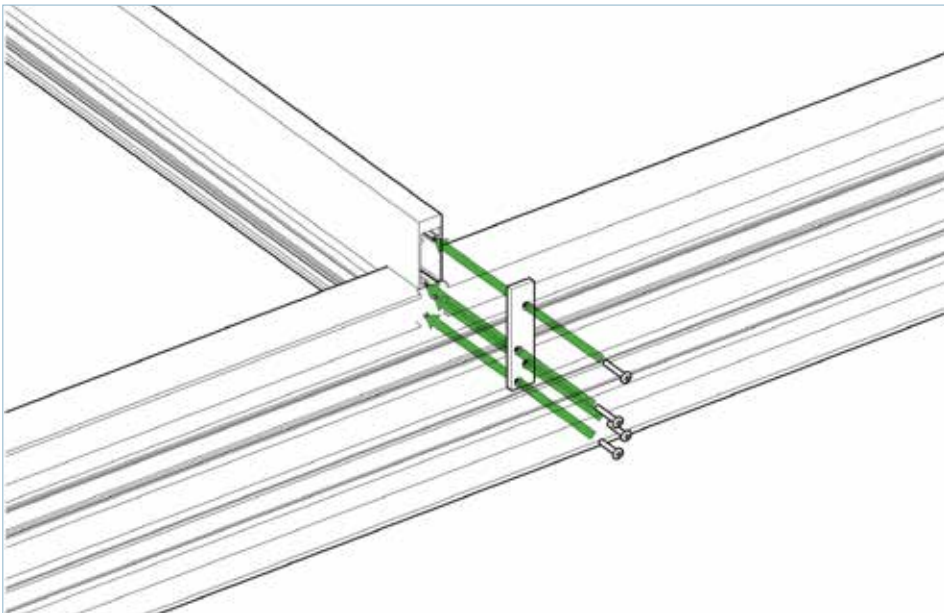
FIG 13

Align fixed interlocker to notch on bottom track. Ensure profile position is as per sections above.



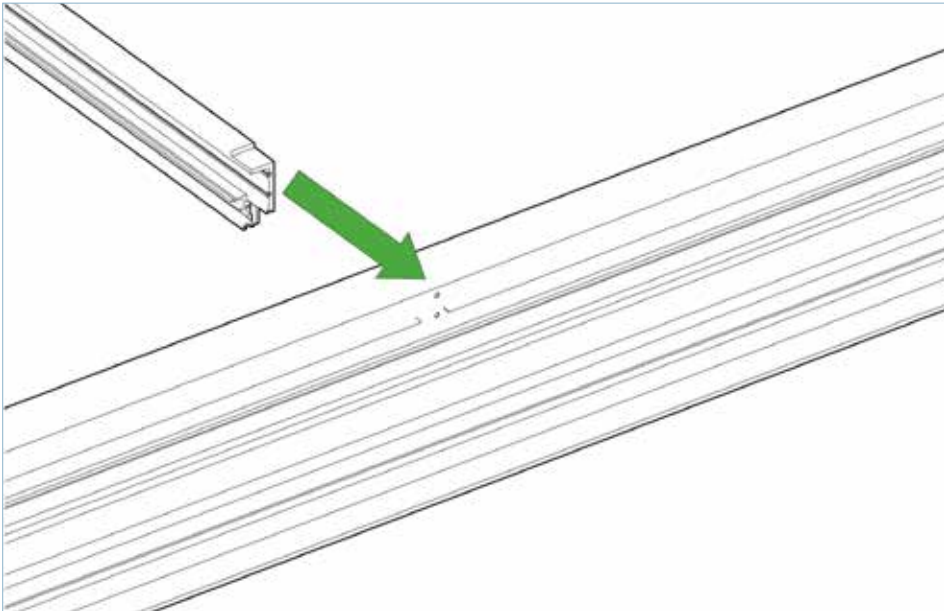
Seal holes with a suitable sealant.

FIG 14



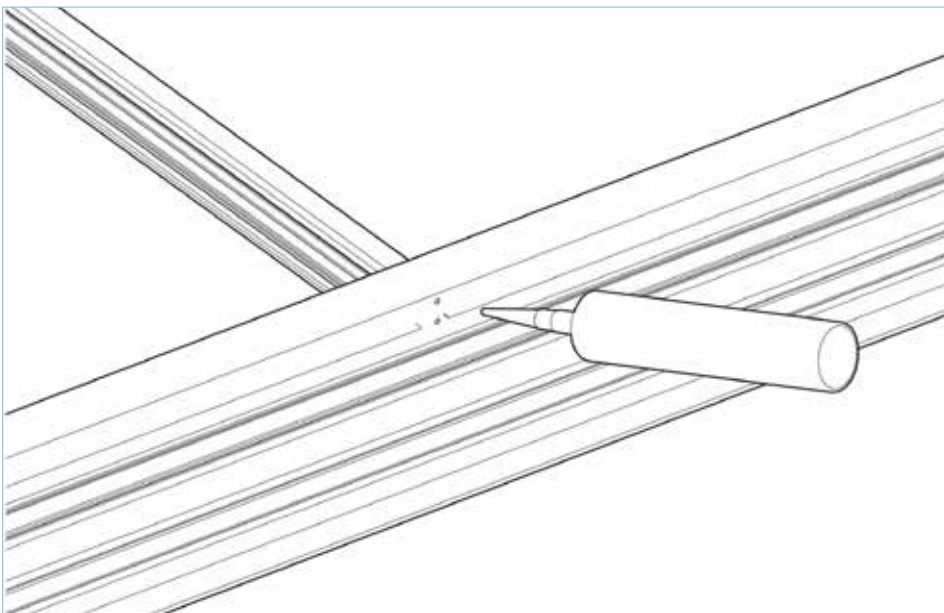
Fix interlocker end plate with 3.9 x 16mm screws. Repeat process at both ends of profile.

FIG 15



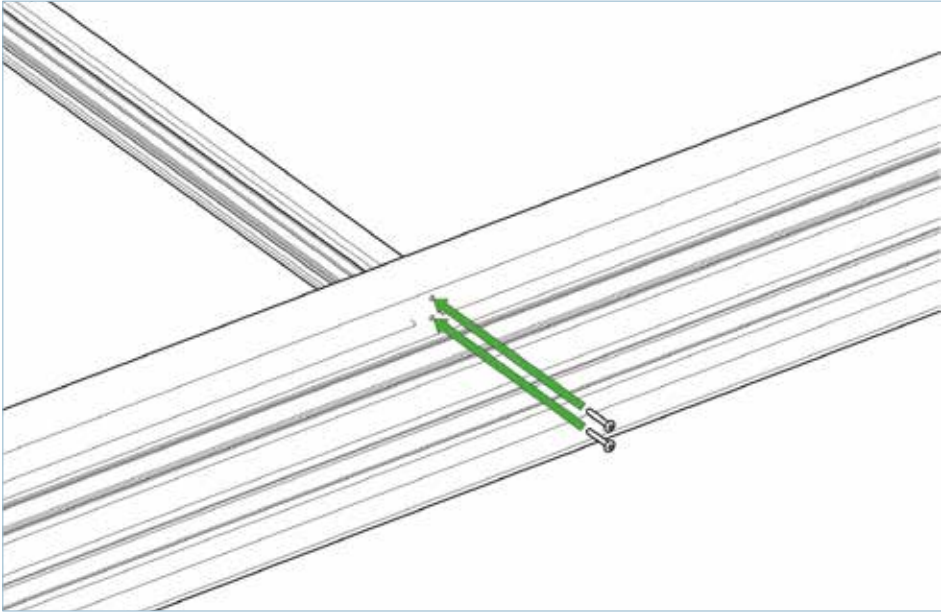
Align flush fixed interlocker to notch on bottom track. Ensure profile position is as per sections above.

FIG 16



Seal holes with a suitable sealant.

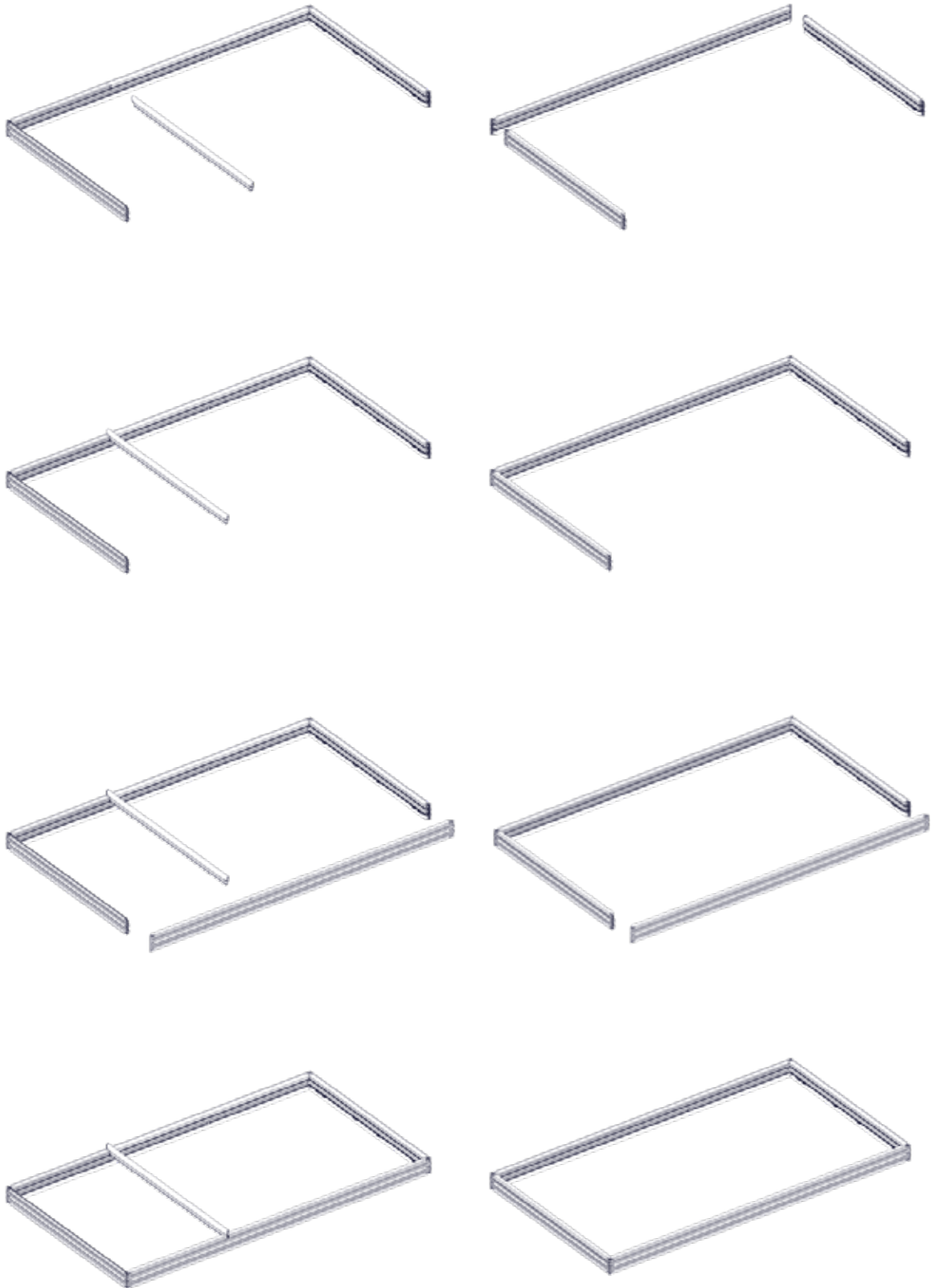
FIG 17



Fix interlocker in place with 3.9 x 16mm screws. Repeat process at both ends of profile.

FIG 18

Installation Guide



5. Lift the frame into the aperture

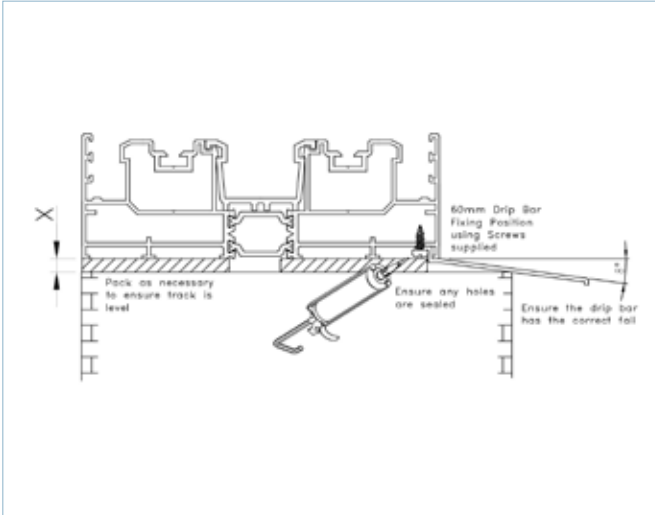


FIG 20

If using a drip bar, ensure that when fitted, all pre-drilled holes are filled with silicone before being fixed into position with the screws supplied.

A consistent bead of silicone is required between the drip bar and the track to ensure a complete seal.

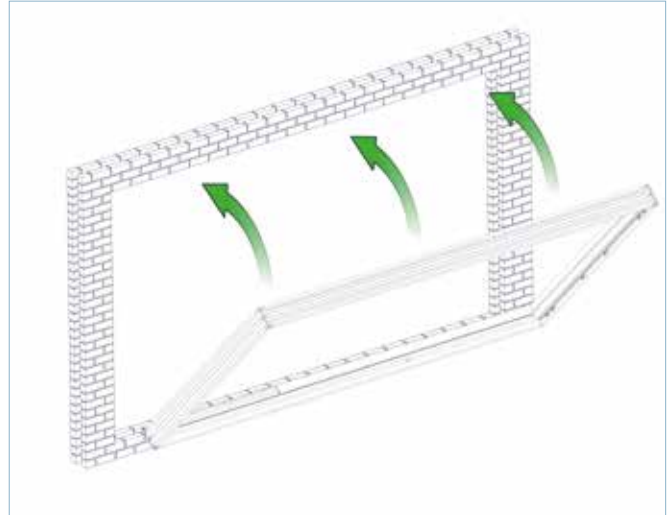


FIG 21

Lift frame into the aperture, ensuring drainage caps are situated externally.

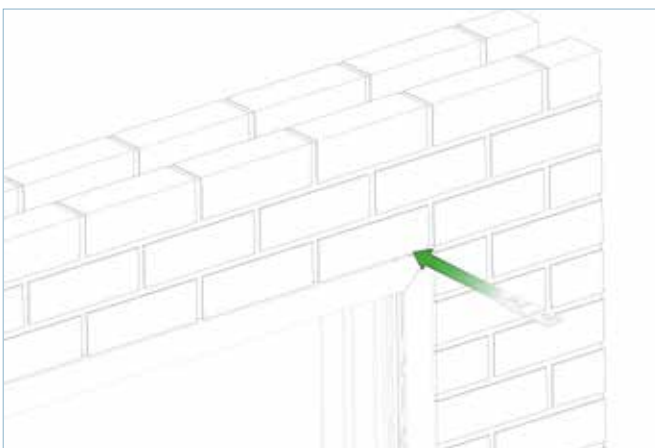
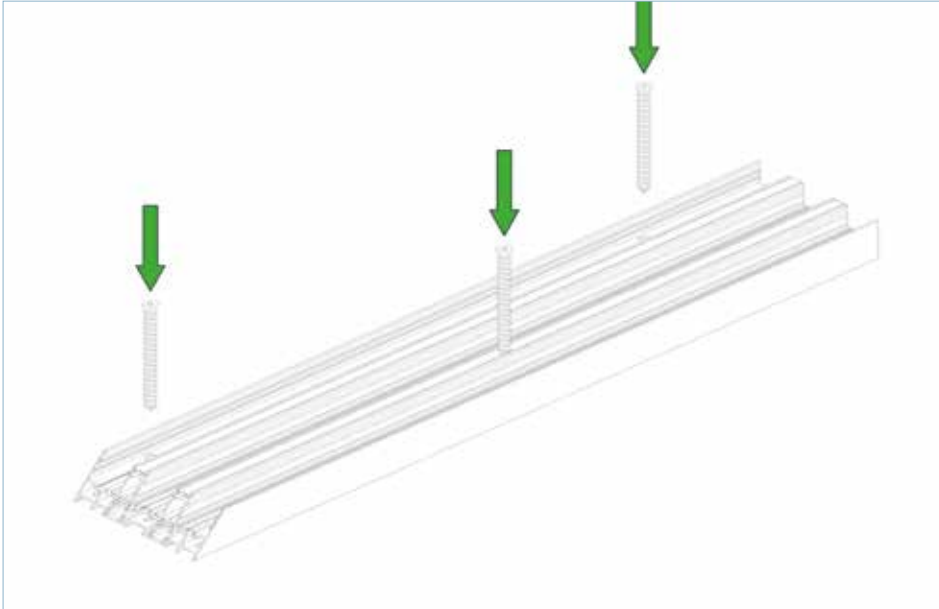


FIG 22

Insert packers above both jambs.

6. Fix the bottom track



Where possible, fixing points should be on both sides of the frame, in a zig-zag pattern.

FIG 23



FIG 24

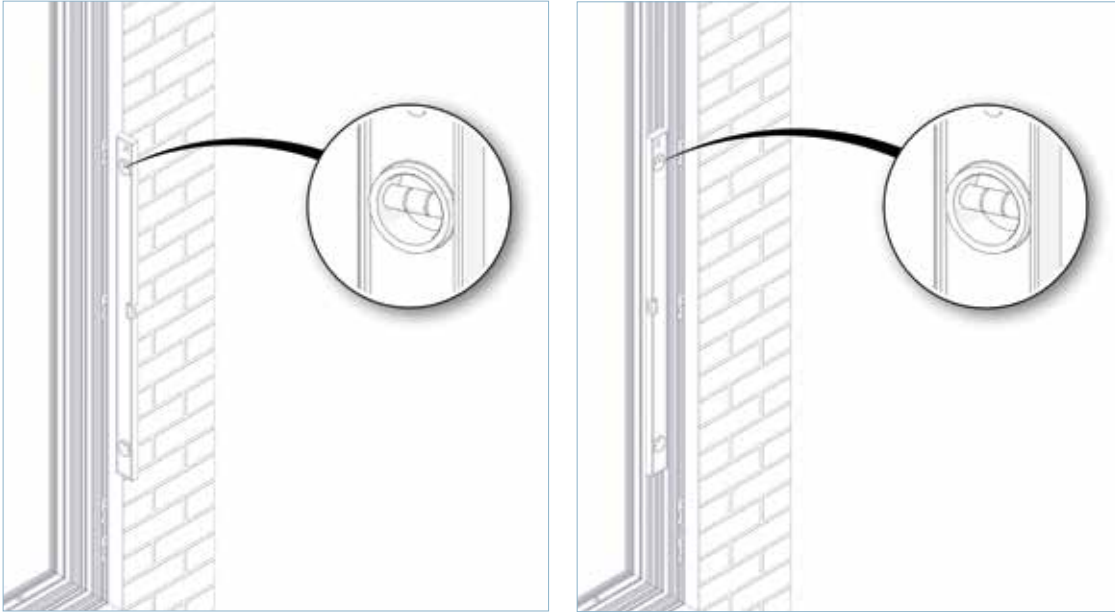
Use an HSS bit to drill and countersink an appropriate sized fixing hole through the frame. This should be no more than 150mm from the external corner of the frame.



FIG 25

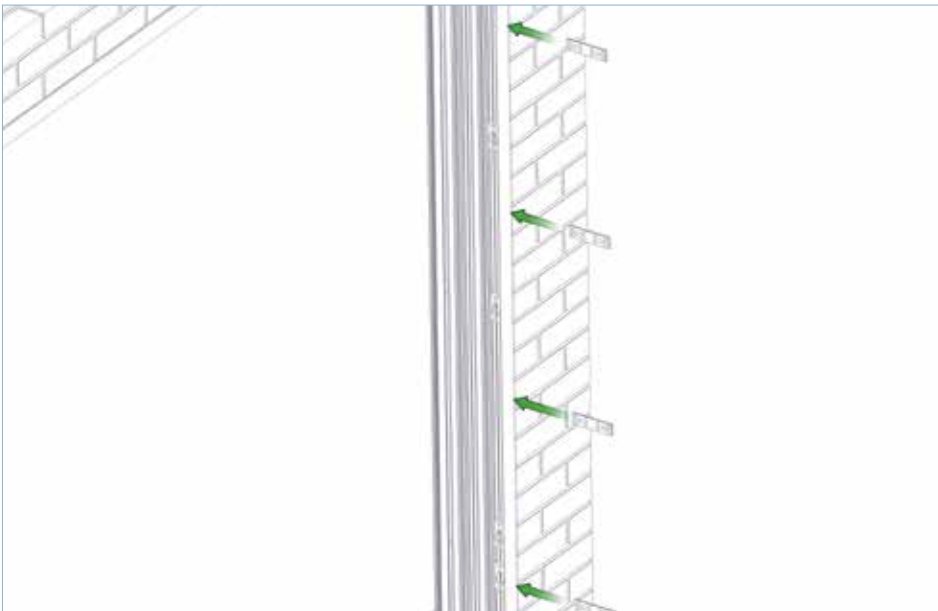
Insert suitable sealant to fixing hole, then screw preferred fixing in place. Repeat process along the bottom track, ensuring fixings are within 900mm intervals.

7. Level and fix both jambs



Level out jambs in both directions.

FIG 26



Pack out jambs accordingly when level.

FIG 27



Use an HSS bit to drill and countersink an appropriate sized fixing hole through the frame. This should be no more than 150mm from the external corner of the frame.

FIG 28



Screw preferred fixing in place. Repeat process along the jambs, ensuring fixings are within 600mm intervals.

FIG 29

8. Fix the top track



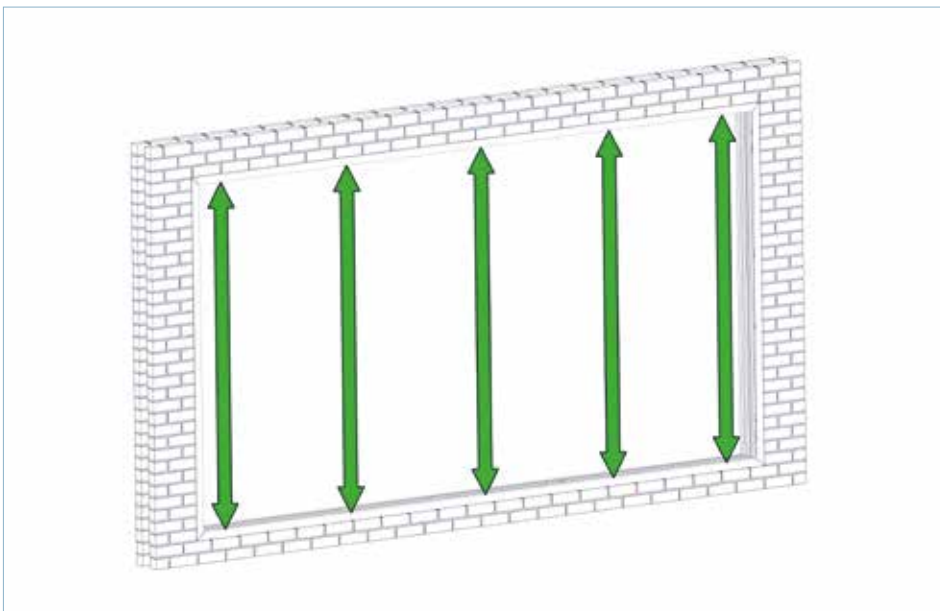
FIG 30

Use an HSS bit to drill and countersink an appropriate sized fixing hole through the frame. This should be no more than 150mm from the external corner of the frame.



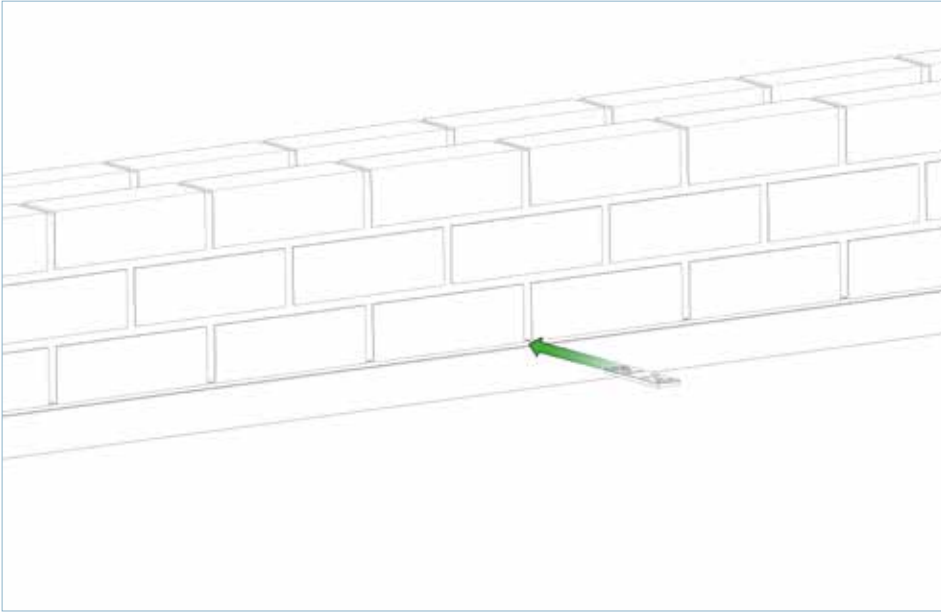
Insert suitable sealant to fixing hole, then screw preferred fixing in place. This must be done at both ends of the top track.

FIG 31



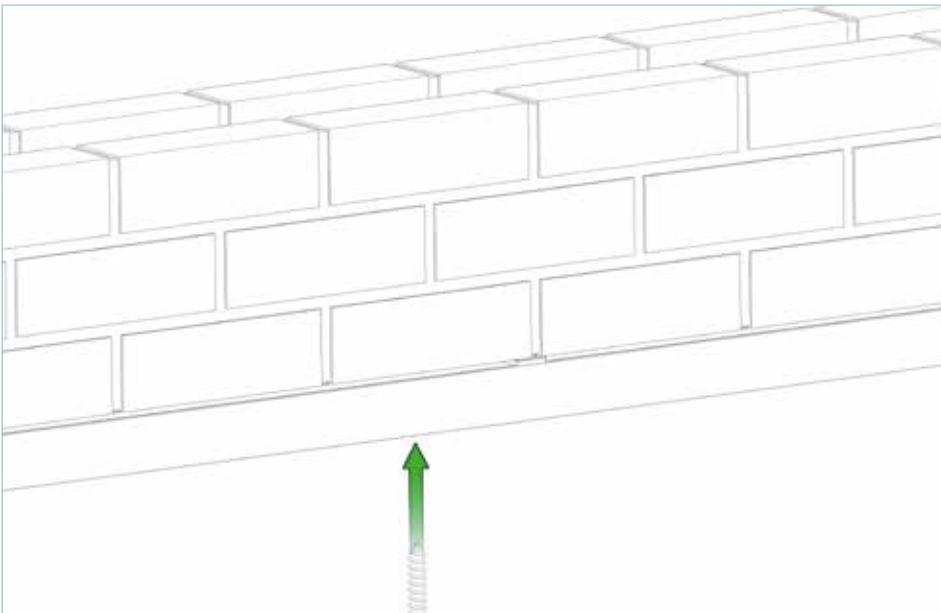
Accurately measure the internal frame dimensions.

FIG 32



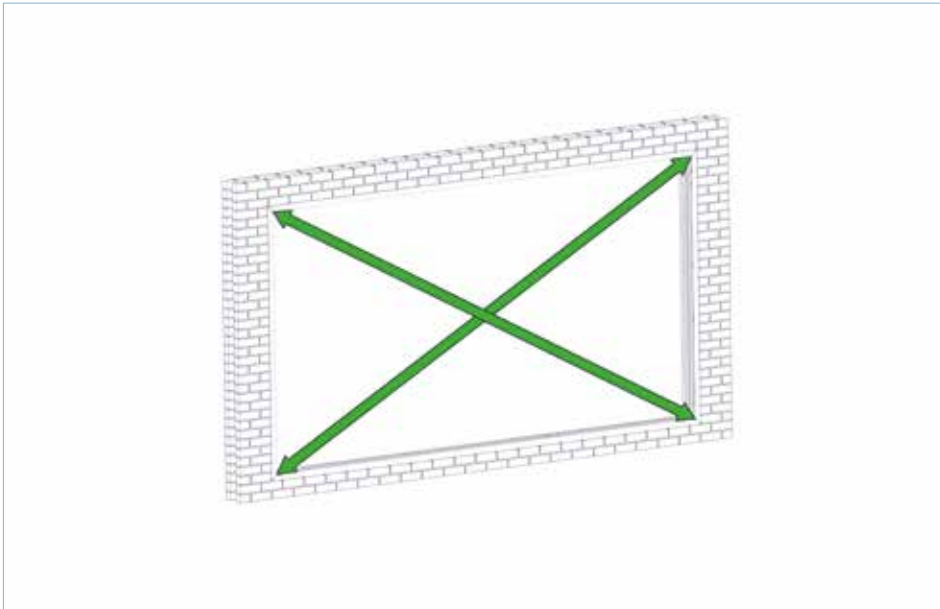
Pack out across the top track for consistent internal frame sizes. Ensure the track doesn't bow in any direction.

FIG 33



Use an HSS bit to drill and countersink an appropriate sized fixing hole through the frame. Insert sealant to fixing hole, then screw preferred fixing in place. Repeat process along the top track, ensuring fixings are within 900mm intervals.

FIG 34



Measure diagonally from corner to corner to check the frame is square.

FIG 35

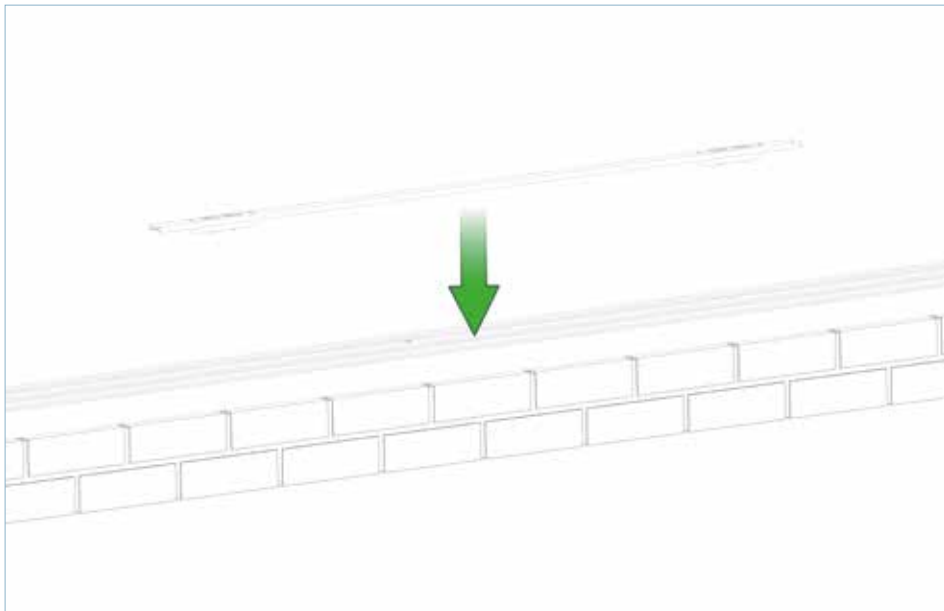


Seal the drainage isolator in place, ensuring ends of profile are sealed with edge of frame.

FIG 36

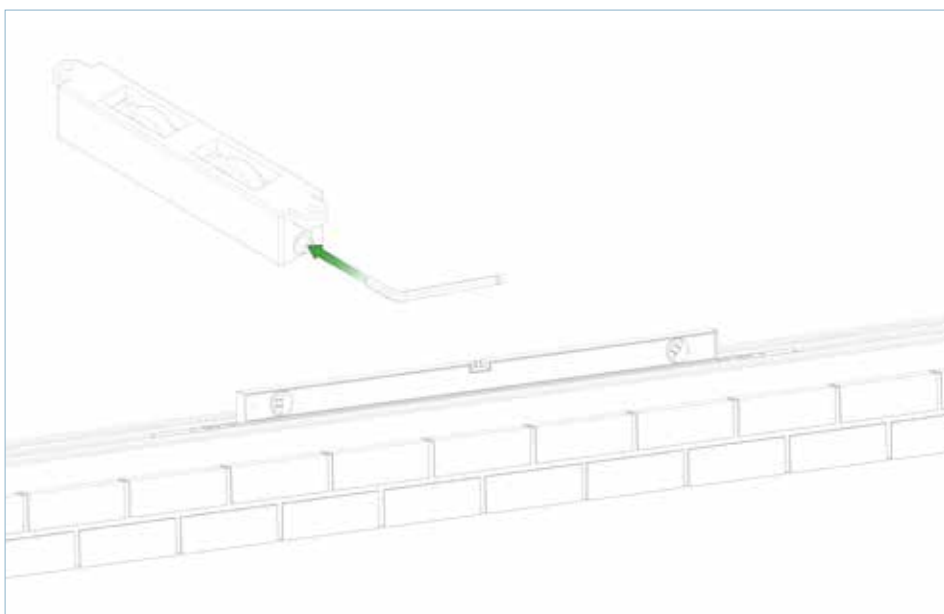
9. Install the sash

Install sashes, working from inside to outside.



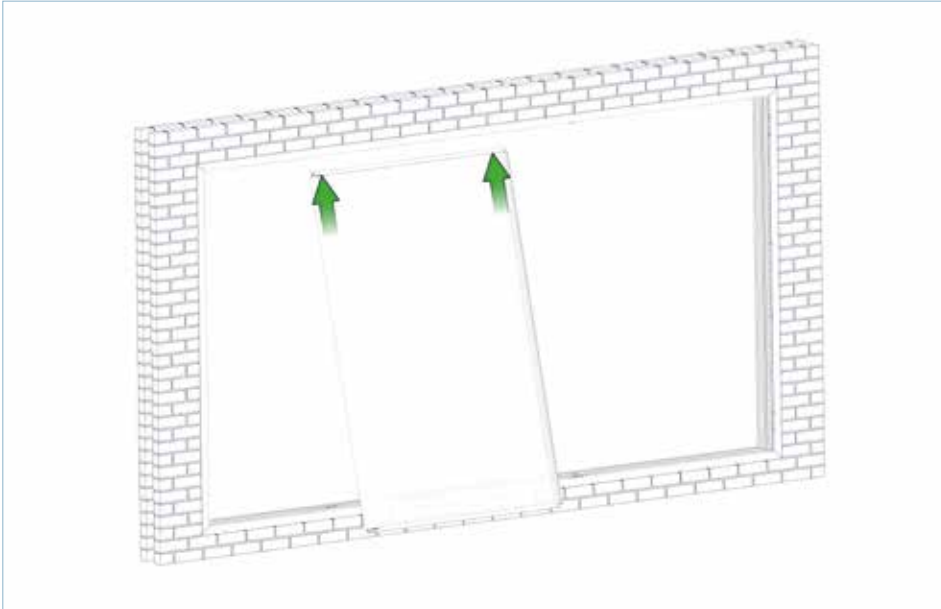
Insert all running gear profiles into necessary track channels.

FIG 37



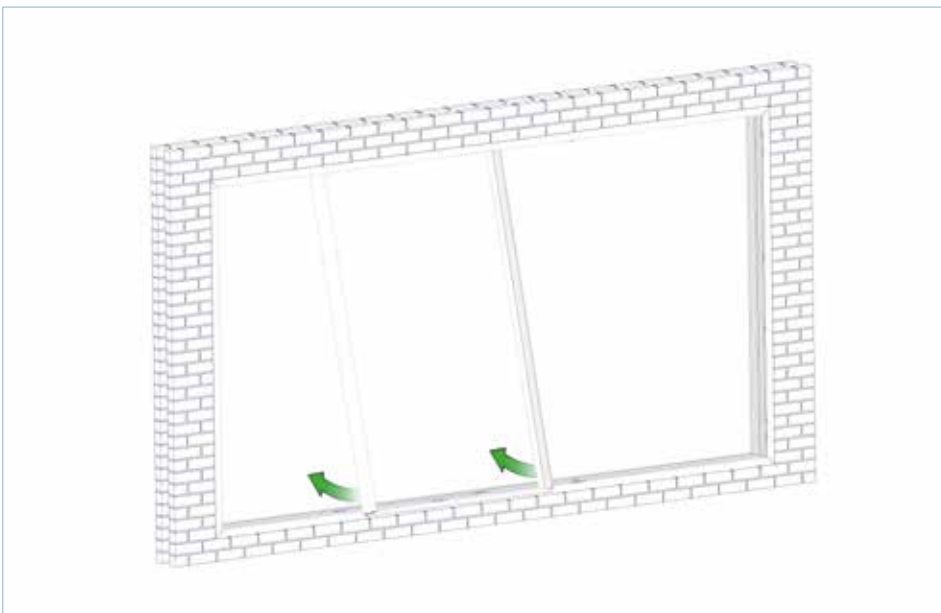
Level the running gear profiles by adjusting the roller height with a 3mm Allen Key.

FIG 38



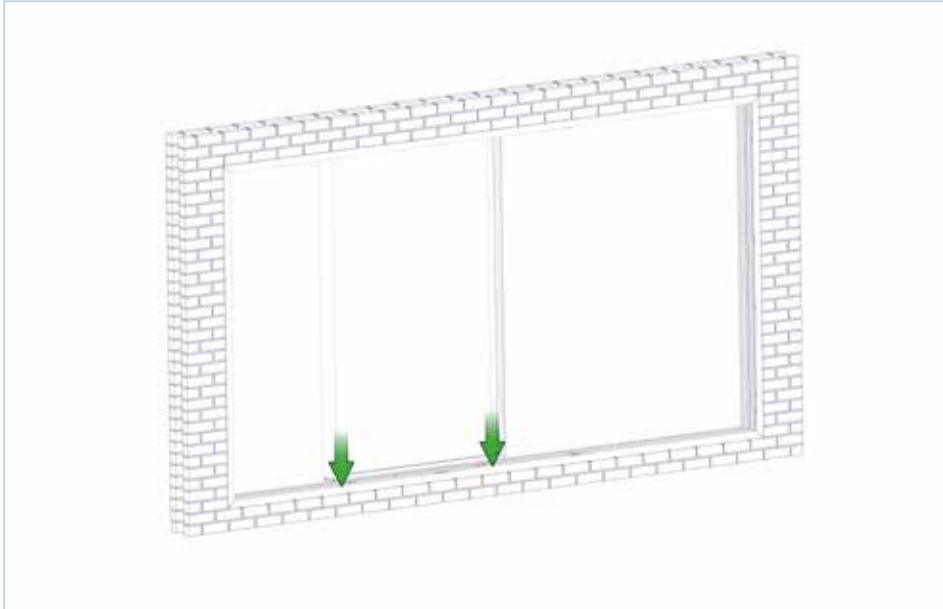
Insert top of sash into top track channel.

FIG 39



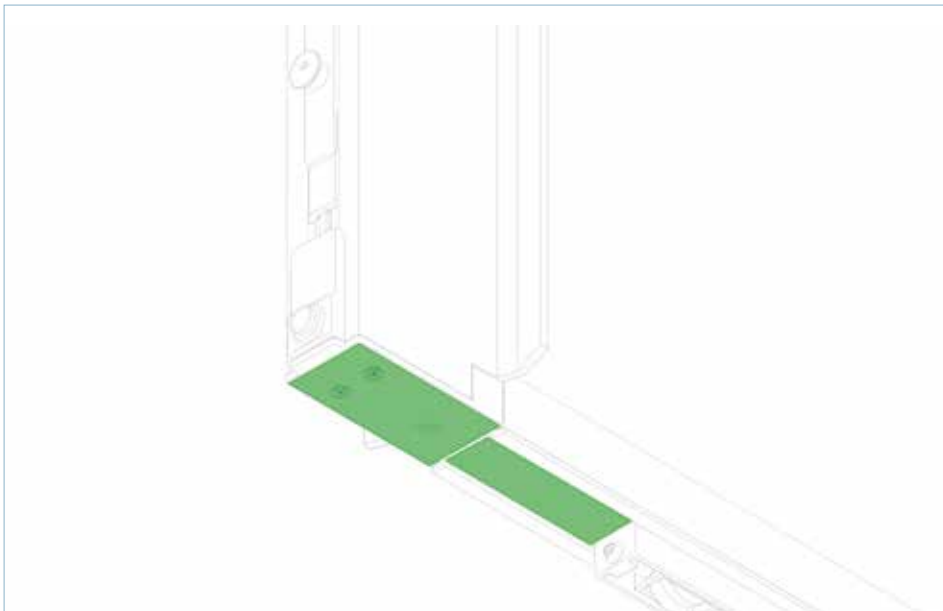
Swing bottom of sash above running gear.

FIG 40



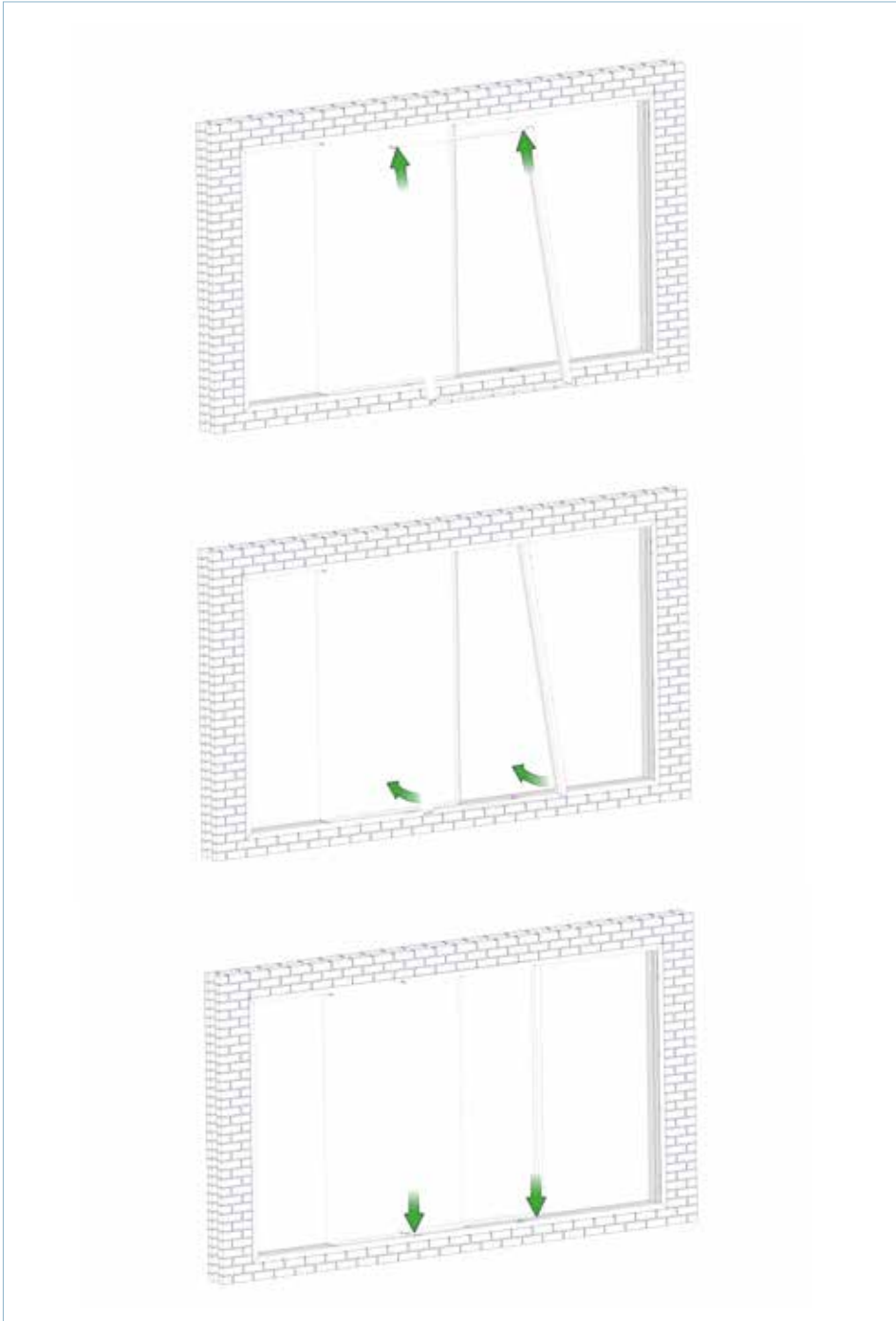
Drop sash on to running gear, ensuring the running gear sits within the bottom of the sash.

FIG 41



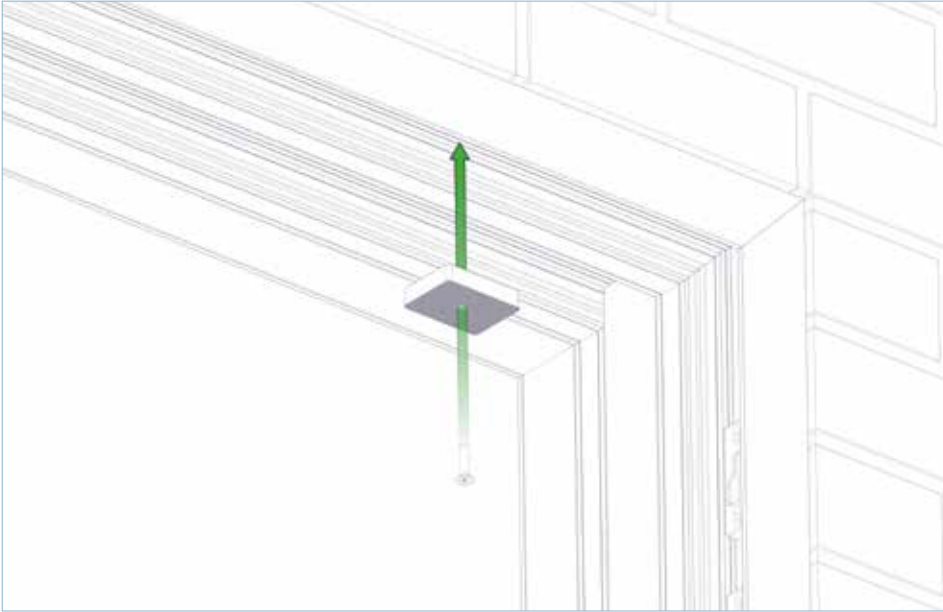
Check to ensure bottom of sash and running gear components are flush at both ends.

FIG 42



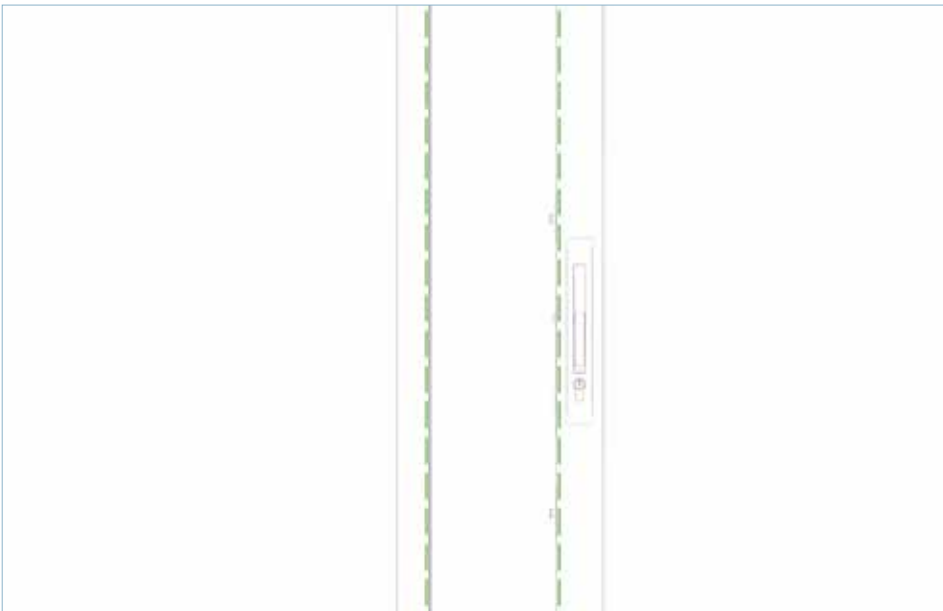
If applicable, repeat process for remaining sashes.

FIG 43



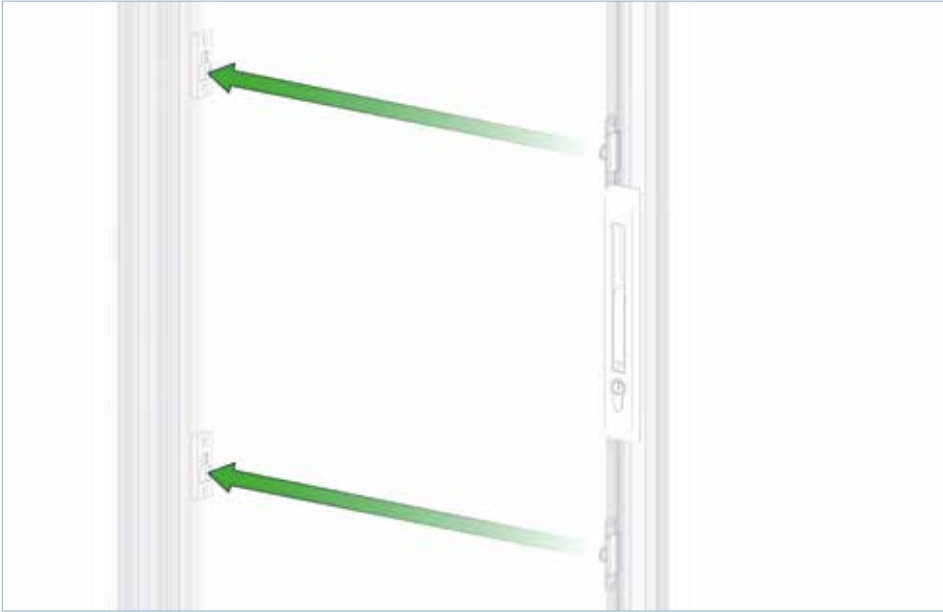
Fix anti-lift blocks above each sash corner when the sash is in the closed position. Fix using 3.9 x 25mm screws and position no more than 60mm from the external corner of the sash.

FIG 44



Level the lockstile to ensure the sash is parallel to the frame. Repeat for all opening sashes to ensure the interlockers line up correctly.

FIG 45



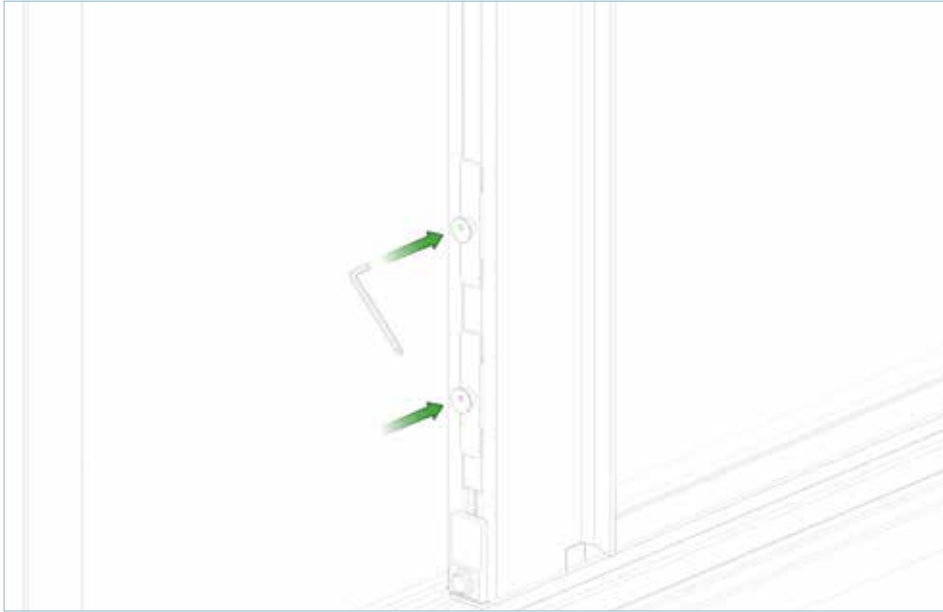
Align centre keeps with corresponding locking points (situated directly above and below handle).

FIG 46



Working from bottom to top, adjust keep positions if necessary. Keeps can be packed out using the 0.5mm and 2mm packers supplied. Adjust keeps until the handle engages correctly, and the key in the lock cylinder turns smoothly.

FIG 47



If more adjustment is required, use a 3mm Allen Key to adjust the locking point.

FIG 48

10. If applicable, install the fixed panel



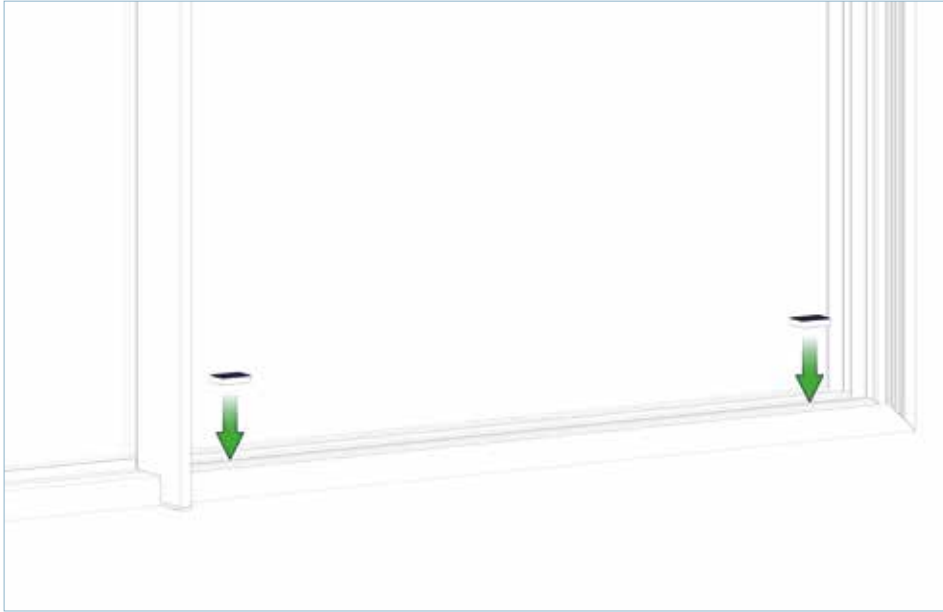
Pack out as appropriate.

FIG 49



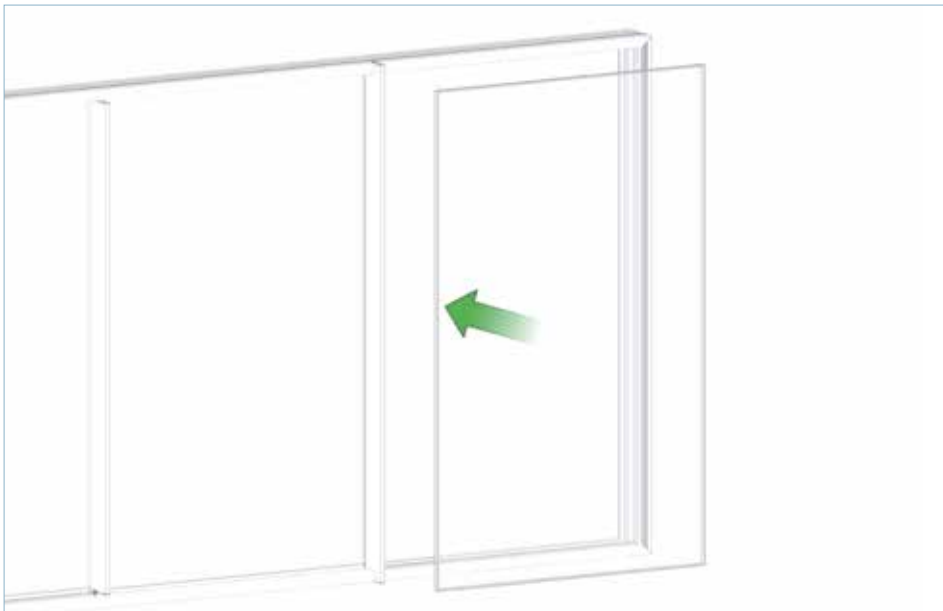
Apply supplied structural sealant around each packer.

FIG 50



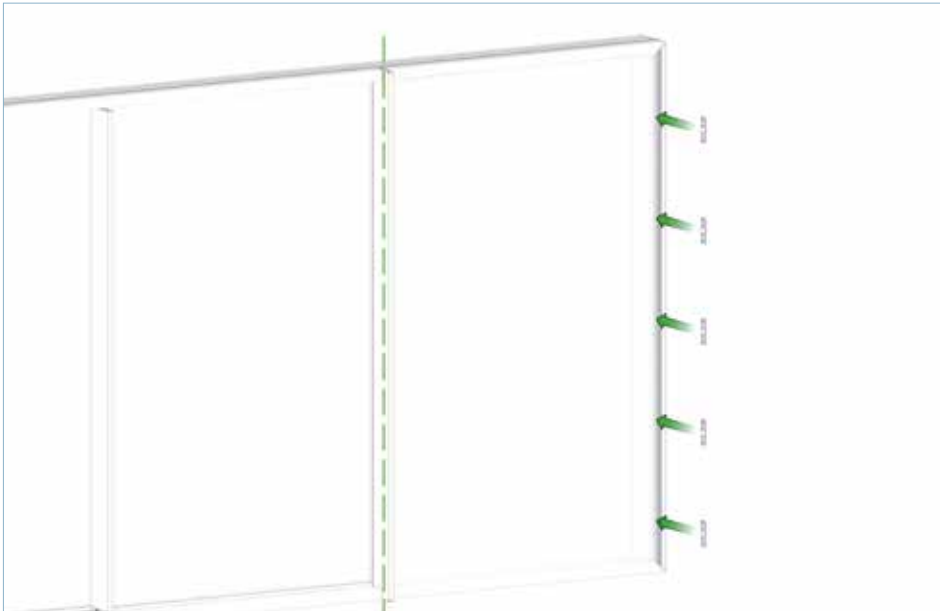
Place 10mm anti-lift packers into track channel.

FIG 51



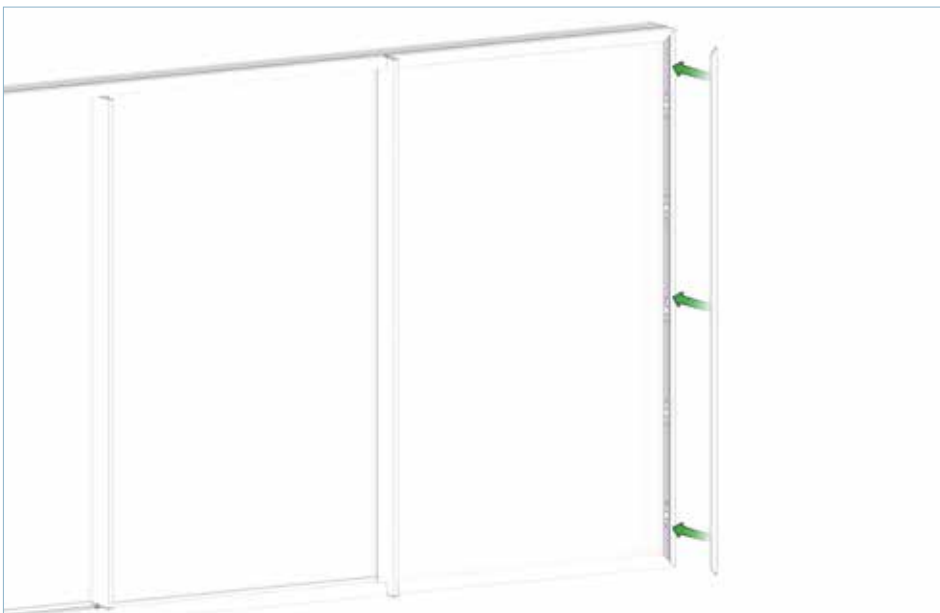
Insert glass into frame and slide over on to pre-applied structural sealant in interlocker. Pack out below glass, so it is central in the frame.

FIG 52



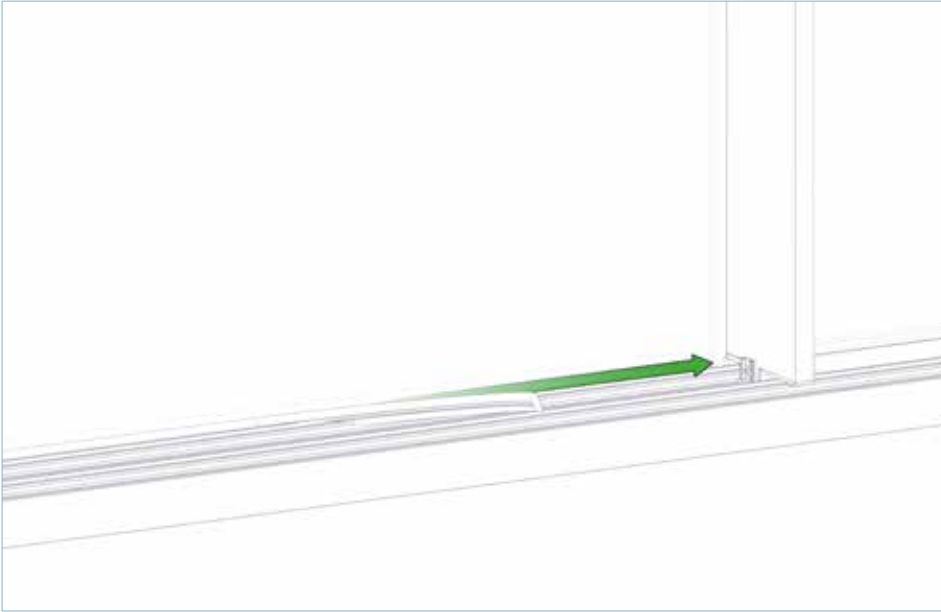
Use a straight edge or long level along the fixed interlocker to ensure straightness. Pack out accordingly between edge of glass and jamb.

FIG 53



Secure frame bead in place. First clip top and bottom of bead, then proceed to clip in the centre.

FIG 54



Fit wedge gasket between glass and outer frame, on both inside and outside glass faces.

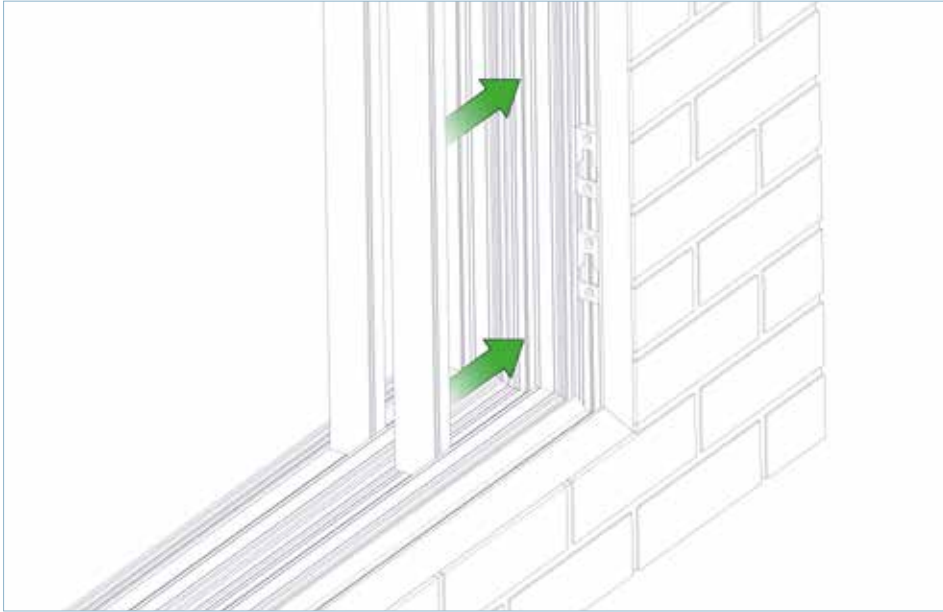
FIG 55



Apply bead of structural sealant along the length of interlocker (both inside and outside faces). Leave to fully cure before operating the set.

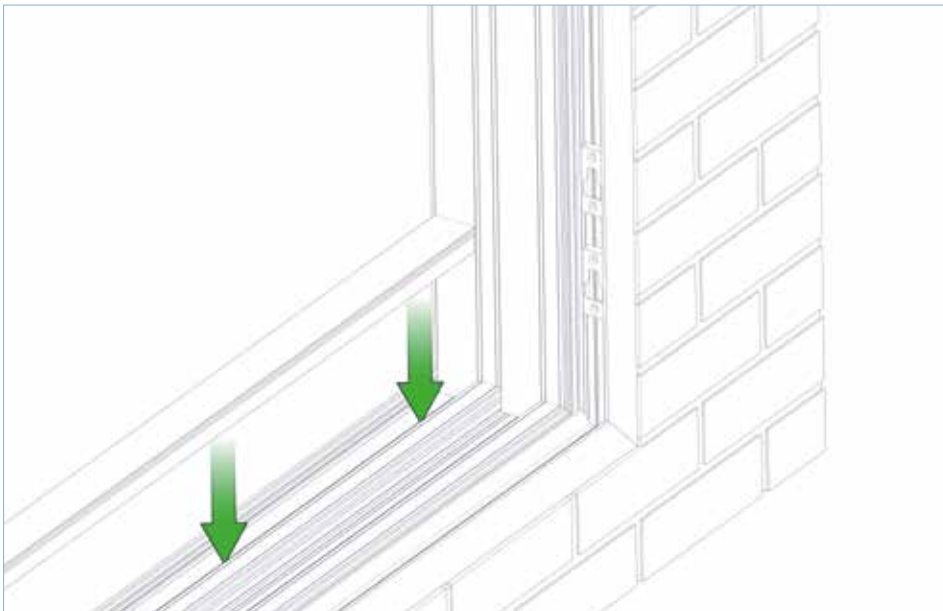
FIG 56

11. Install frame covers



Clip in the vertical frame cover pieces.

FIG 57



Clip in the horizontal frame cover pieces.

FIG 58

Accreditations...

At Origin, we pride ourselves on providing best quality products backed by best levels of service and efficiency. Put simply, our aim is to continuously learn, evolve and improve.

We are well known for having rigorously high standards in everything that we do. We're also known for innovation, but we never want to settle: if there's a way that we could do something better, we will find it.

This ethos has been instilled throughout Origin. Whether it's a process, product offering or even the company's sustainability, we have created a culture that encourages continuous improvement.

To demonstrate our commitment and as a way of measuring our performance, we work towards gaining certain prestigious accreditations. Our achievements show a strong moral and ethical intent in how we operate and how we try to do things the best way, not because we are told to do so, but because we think it is the right thing to do.

We'll run through some of these now.



ISO 9001 – Quality Management...

ISO 9001 is an international standard that assesses a company's quality management system. Having first achieved it in 2013, the fact that we still are certified means that we have a track record of consistently providing products and services that meet both customer and regulatory requirements.

It's something that we take very seriously and its influence is integrated into every process.

Key areas of this include:

Product quality – To ensure a product's overall manufacture is flawless, we have checks in place to guarantee you the best quality. A few examples are:

- Supply chain – an inspection at the point of delivery and before going into manufacturing. If anything is spotted, it's documented and raised with the supplier.
- Production – there are quality checks at every station, not only to look over the previous person's work, but to review the quality of the overall build.
- Equipment – a robust maintenance schedule for machinery and equipment ensures consistency.
- Pre-delivery – before it is packaged and loaded ready for delivery, there's another thorough check to ensure nothing's happened whilst being moved from station to station.

Accreditations

- Feedback – as part of our mission to always innovate, whether it's from internal or external stakeholders, feedback is imperative. We are very proactive at bringing this type of information back into the business and learning, as it gives us an opportunity to improve.
- Training and development for our employees – meaning we're better at understanding the good, the bad, and what we can do better.

ISO 14001 – Environmental Management...

Now more than ever, we need to be aware of the impact our operations may have on our environment; the legal obligations we must adhere to, and ensuring we are doing things the right way.

The internationally renowned ISO 14001 accreditation measures the environmental management system that we have in place. It's a subject that's very close to our hearts, which is why working towards this standard was an easy decision.

We care about the resources we use for our products – where they come from and where they end up. To add to this, we aim to be zero waste to landfill and have already put into place many positive changes to make this happen. We want our customers to buy from us with a clear conscience and feel that ISO 14001 can prove that Origin is taking responsibility, acting ethically, legally and exercising best practice in all that we do. Our environmental management system covers:

- Waste management and energy targets – to reduce our consumption and impact on the environment
Helpful hints, tips and reminders are prompted to all staff regularly, so that they can join us in our goal and see how small changes to their work practices can have a big impact.
- Product design and lifecycle – recyclability and sustainability are a design priority for us.
- Supply chain – choosing suppliers that are aligned with our ethos and vision. This is applicable not only when bringing on new suppliers, but also working with existing ones to better their carbon footprint – whether that's minimising packaging, reusing or even our drivers picking up the materials on their routes, rather than a supplier sending their own fleet, we are constantly reviewing how we can improve.



ISO 45001 – Health and Safety...

As with everything Origin, we go above and beyond when it comes to health and safety best practices.

ISO 45001 is a standard we achieved in 2019, and it recognises our commitment to employee safety, reduces workplace risks and creates a better, safer working condition.

We have spent time reviewing all the activities that go on within the offices, manufacturing centres and warehouses, and have created a full risk log which will link up to our current risk assessments. These are being reviewed one by one to ensure we are minimising risks as much as we can to keep Origin employees, and anyone who may be affected by these risks, safe. Employees working in the factories are actively encouraged to put forward risks and hazards from their observations, which is fed back so they can be actioned to be rectified or developed into an improved method of operating.

We share knowledge through inter-departmental health and safety committee meetings, risk assessments, regular safety and environmental checks and training to ensure that we are up to date with legislation and best practice.

Our bespoke Safety, Health and Environmental (SHE) Portal has provided us with a place to document, set reviews and monitor operational risks across Origin. This portal is an ongoing project that we will continue to work on, allowing us to ensure that safety at Origin is at the best standard we can achieve.

We are People focused and aim to keep people safe, both inside and outside of Origin, providing awareness, training, instruction and information to operate safely.



Contact

Accounts

t 08448 802 371 or 01494 416 895 **e** Finance@origin-global.com

Marketing

t 08448 802 374 or 01494 416 897 **e** Marketing@origin-global.com

Sales Operations

t 0808 168 5816 or 01494 686 868 **e** OrdersNorth@origin-global.com

e OrdersSouth@origin-global.com

Fleet and Logistics

t 08448 802 378 or 01494 416 898 **e** Logistics@origin-global.com

origin
DOORS AND WINDOWS

Origin Global HQ, Stuart House, Castle Estate,
Coronation Road, High Wycombe
Buckinghamshire, HP12 3TA

t 0808 168 5816
e enquiry@origin-global.com
w www.origin-global.com

