



origin

DOORS AND WINDOWS

Residential Door Specification File



Contents

Specification Overview	04
Security	08
Optional Extras	09
Panel Options	14
Residential Door Make-Up	20
Panel Make-Up	21
Size Limitations	22
Performance and Limitations	23
Master Configurations	26
Technical Drawings	36
Handles	54
Gaskets	63
Residential Door Installation Guide	65
Door Restrictor Installation Guide	75
Door-to-Window Installation Guide	80
Window-to-Jamb Coupler Installation Guide	83
Window-to-Track Coupler Installation Guide	93
Glazing Bar Installation Guide	99
Accreditations	101

Specification Overview

Thermally Broken Aluminium Residential Door

External view of the Origin Residential Door (open in)



Internal view of the Origin Residential Door (open in)



Profile Specification

Outer Frame Depth	75mm
Sash Depth	59mm
Weathered Threshold Height	67mm
Non-weathered Threshold Height	50mm
Mobility Threshold Height	20mm

Features

- ▶ Up to a 20-year guarantee¹
- ▶ 3-Star Diamond Cylinder as standard
- ▶ Chamfered bead internally and externally
- ▶ Packaged in kit form for easy transportation and installation
- ▶ 5-point automatic lock or 8 multi-point lock system available
- ▶ Secured by Design accredited
- ▶ Available in 10 different panels
- ▶ The 28mm panel is manufactured with aluminium inner and outer layers and has a highly efficient Thermimax core

Options and extras

- ▶ Available in single and French door configurations
- ▶ Can be used as a front door, garage door or on a utility room/ side exit
- ▶ When being used as a garage door, it can be specified with no threshold
- ▶ Weathered, non-weathered or mobility (Class 4A) thresholds are available
- ▶ Open-in or open-out options
- ▶ Cill options available: 95, 155, 180 and 225mm (see page 49)
- ▶ Available in over 150 different colours, with different colours able to be selected on the panel, sash and frame
- ▶ Gasket colours: black, white, light grey, graphite grey, light oak bronze or chestnut brown
- ▶ Hinge colours: black, white, stainless steel finish or colour coded
- ▶ Door-to-window coupling available
- ▶ Matching side panels or part panels are available²
- ▶ 2500EA and 5000EA trickle vents available
- ▶ Marine finish option
- ▶ Midrail available
- ▶ Glazing bars available

¹ - Guarantee based on location of where the doors will be installed.
Full terms and conditions can be found on the Origin website - origin-global.com/terms-and-conditions.

² - Size restrictions apply.

Specification Overview

Kensington Range...



SE 04

SE 07

TR 02

CO 01

GE 01

1-week lead time available on our popular panels and finishes

Size limitations apply.

Popular finishes



Black Grey (7021M)



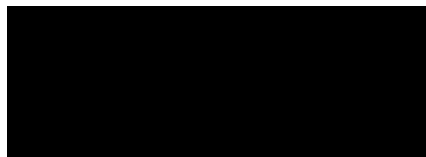
Slate Grey (7015M)



Hipca White (9910G and 9910M)



Anthracite Grey (7016M)



Jet Black (9005M)



9910G in/ 7016M out



Dark Silver Metallic (9007M)



Alternatively, dual coloured or any RAL coloured door can be selected on a 5-week lead time

For the full range, visit origin-global.com

Lead Times

Popular colour doors: 1-week

Special colour doors: 5-weeks

Dual colour doors: 5-weeks

**This panel is only available as a single door on the 1-week lead time. If required as a French door, it will be on a 5-week lead time.*

Sandringham Range...



CO 04 SA 02 SA 03 SE 01 CO 05

5-week lead time available on any RAL colour and finish



Even the gasket or Q-lon colour is your choice



The following are also available:



Door Colour	Recommended Q-Lon Colour
A. 7015M and 9007M	Graphite Grey
B. 7016M	Anthracite Grey
C. 9005M and 7021M	Black
D. 9006M	Light Grey
E. 9910G and 9910M	White

Security

Origin's Multi-Point Lock



The Origin Residential Door can be specified with the same high security 8-point locking system as used in the Origin Bi-fold Door

The multi-point lock was developed in-house by Origin and offers 8-points of locking. It conforms to all of the latest security standards including Document Q compliance, PAS 24:2016 and Secured by Design.

As an alternative to the 8-point locking system with a lever to lever handle, a 5-point automatic locking system is also available. This allows the user to simply shut the door and turn the key without the need to lift the handle first

Find out more about SBD on page 103-104

Locking Cylinders

As standard, our Residential Doors come with a 3-Star Diamond cylinder. A thumbturn option is also available.

3-Star
Diamond
Cylinder



Optional Extras

Trickle Vents

Trickle vents have to meet the minimum air flow rates as defined in the British Building Regulations (see specifics below).

Should it be required, the Origin Residential Door can be specified with discreetly designed trickle vents which are installed through the top track for additional ventilation, ensuring the doors meet and surpass building regulations.



Internal view



External View

Trickle vents on our residential door can only be fitted through the top track or through the frame extender.

Thresholds – weathered, non-weathered and mobility

Weathered and non-weathered options are available, so you can pick the right option for to cater for your customer's needs. A mobility threshold option is only available on single doors and French doors.



Door Restrictor

We offer either a 90-degree or 135-degree door restrictor that will limit the door's opening to the respective angle.



Optional Extras

Cills

Choose from our 4 cill options which can also be powder coated to match the doors.



95mm cill



155mm cill



180mm cill



225mm cill

Handles

There are four main handle options available - a bar handle range, a finger pull escutcheon, an offset lever handle range or our premium stainless steel handle range.

- ▶ The bar handles are available in three styles - straight, offset and bow. The straight and offset handles come in 3 sizes: 500mm, 1200mm and 1800mm. The bow bar handle comes in two sizes: 550mm and 720mm, and all come in a brushed stainless steel finish
- ▶ The pull handles are available with automatic locking only
- ▶ The offset lever handle is available in black, white, chrome or stainless-steel
- ▶ Premium handles are available in 5 different styles. These can be in a stainless steel finish or can be colour coded

Bar handle range



Bow Bar Handle



Straight Bar Handle



Offset Bar Handle

Cylinder Pull



Optional Extras

Offset Lever Handle lever handle range



White aluminium lever handle



Chrome aluminium lever handle



Black aluminium lever handle



Offset lever handle stainless steel

Premium stainless steel range



Solid stainless steel lever handle with separate escutcheon (Style 253/280)



Solid stainless steel lever handle with separate escutcheon (Style 251/280)



Solid stainless steel lever handle with separate escutcheon (Style 301/280)



Solid stainless steel lever handle with separate escutcheon (Style 303/280)



Solid stainless steel handle with long back plate (Style 253/270)

Glazing Bars

The OB-72 is able to be specified with traditional glazing bars or flat trim. The bars are placed on the glass after installation, and instantly offer a property more of a traditional style.



Letterboxes

Letterboxes are available as an optional add-on for a number of the panels available in the Origin Residential Door range. The positioning of the letterbox will be predetermined by the panel size, type and style. See p50 for more details



- ▶ External flap opens to 180°
- ▶ Fully sprung loaded with finger slot for easy opening
- ▶ Contains external weather seal and internal draught seal
- ▶ Internal nylon brush seal to reduce air filtration

The letterbox takes full A4 size mail and is available in stainless steel.

Door Knockers with Spyholes

There are two door knocker styles available for the Origin Residential Door - one with an integrated spyhole and one without. Both door knockers are available in timeless stainless steel to complement any door colour.

Spyholes can be specified as a standalone accessory and they are available in stainless steel



Optional Extras

Midrail option

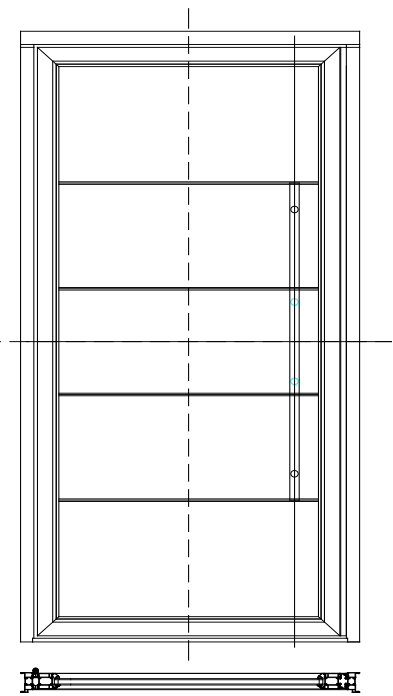
Helping further broaden your design possibilities, Origin offer the option of having a mid-rail pre-installed. Elegantly executed, the mid-rail is fixed horizontally, and is available in two options – one being a 60:40 split, and the other a 50:50 split.

Perfect for porches, they can either accommodate glass on the top and bottom, or a panel can be installed in the bottom section for additional privacy.






Panel Options

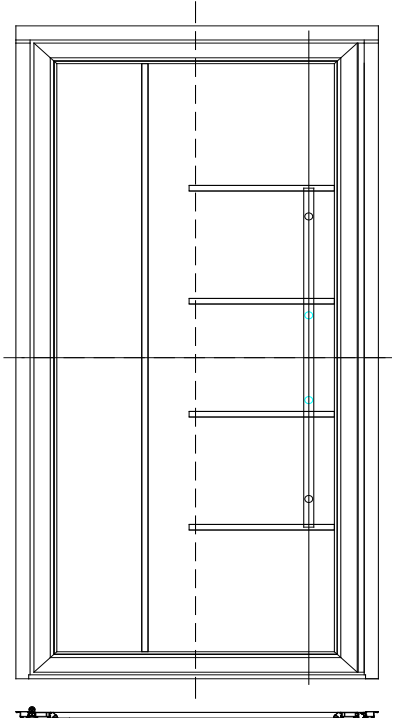
The Kensington Range



Key

-  Letterbox available
-  Knocker available
-  Glazing
-  Spyhole

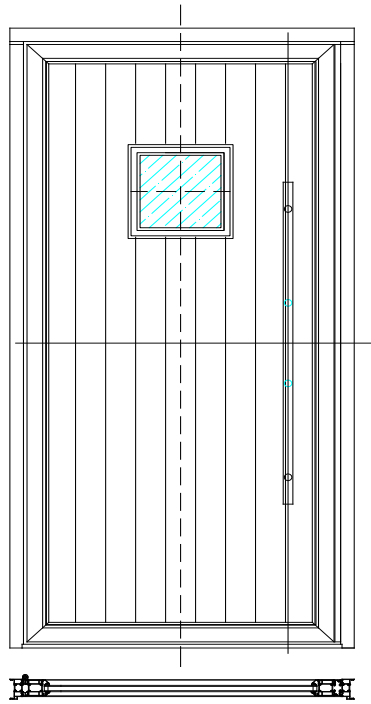
SE 04   







SE 07   

The Kensington Range comes with matt glass as standard on panels with glazing on a 1-week lead time. If satin or reflective glass is required, this is available on a 5-week lead time.

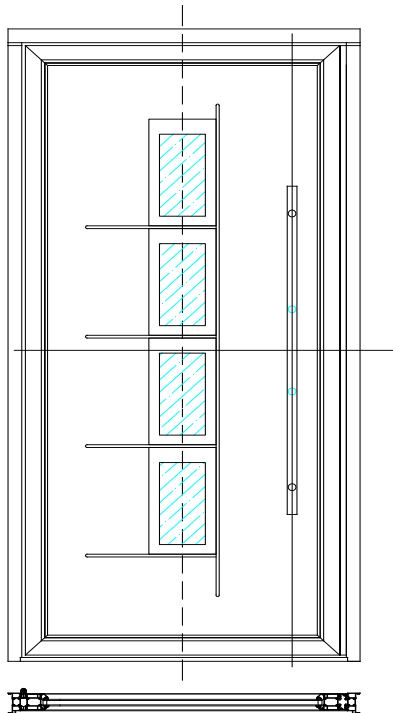
Panel Options



Key

-  Letterbox available
-  Knocker available
-  Glazing
-  Spyhole

TR 02



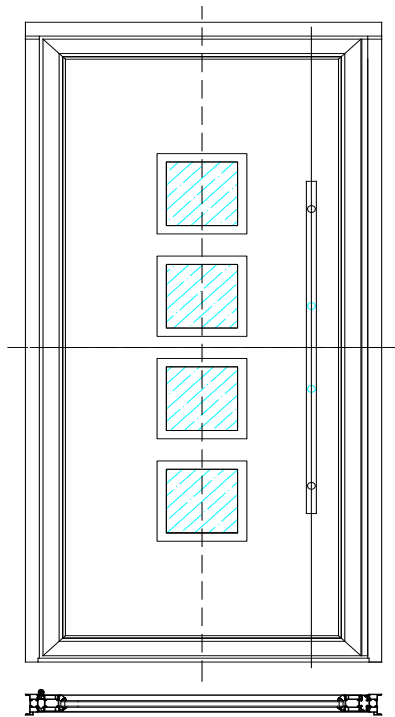
CO 01







The Kensington Range comes with matt glass as standard on panels with glazing on a 1-week lead time. If satin or reflective glass is required, this is available on a 5-week lead time.

Panel Options

The Kensington Range



Key

-  Letterbox available
-  Knocker available
-  Glazing
-  Spyhole

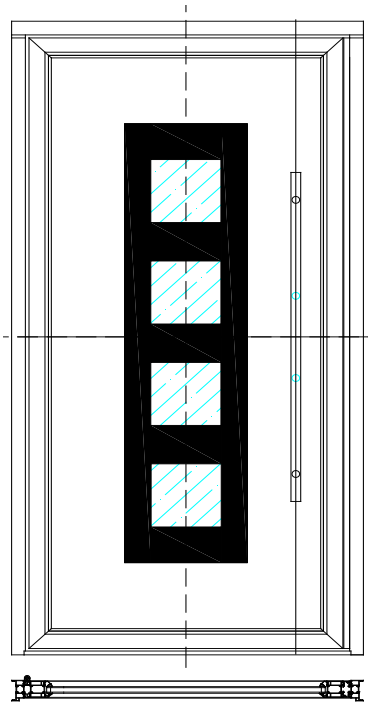
GE 01



The Kensington Range comes with matt glass as standard on panels with glazing on a 1-week lead time. If satin or reflective glass is required, this is available on a 5-week lead time.

Panel Options

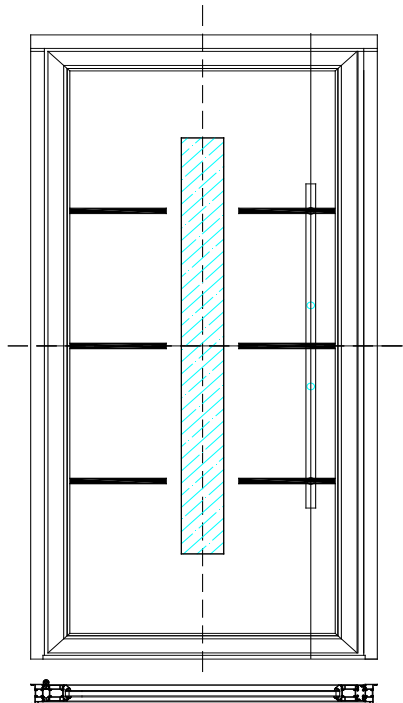
The Sandringham Range



Key

 Glazing

CO 04



SA 02



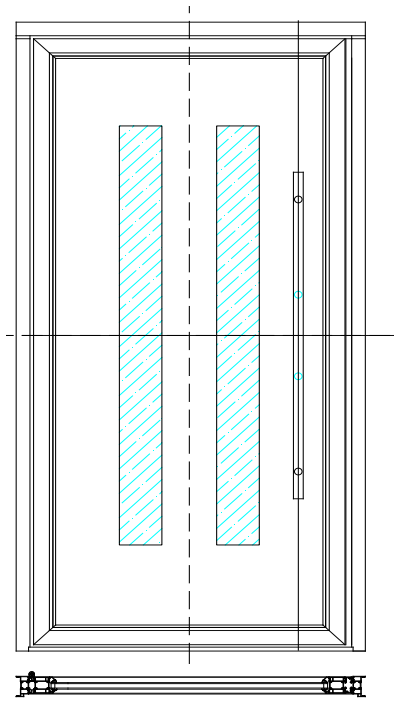
The Sandringham Range features matt, clear or reflective glazing options.

Panel Options

The Sandringham Range



SA 03

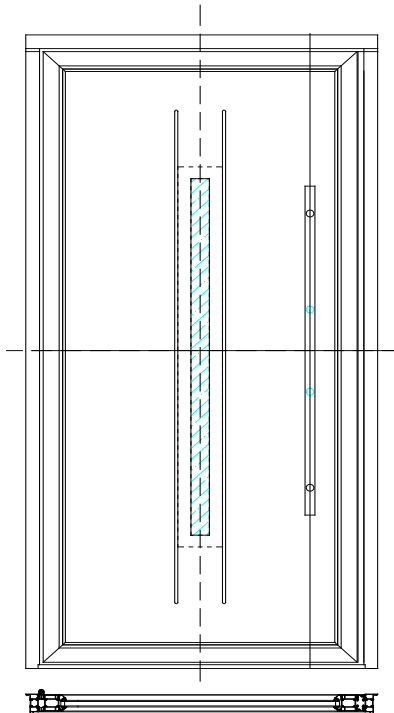


Key

 Glazing

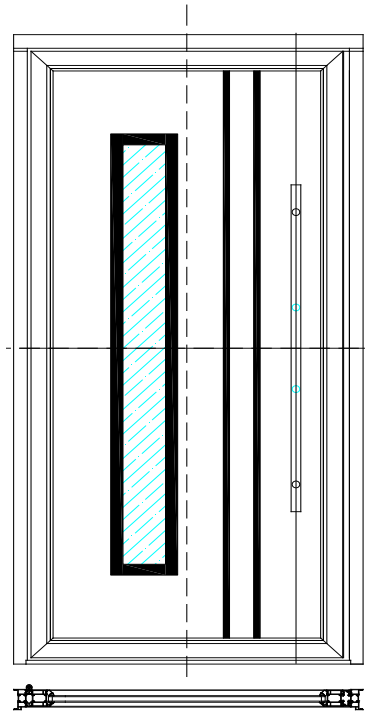


SE 01



The Sandringham Range features matt, clear or reflective glazing options.

Panel Options

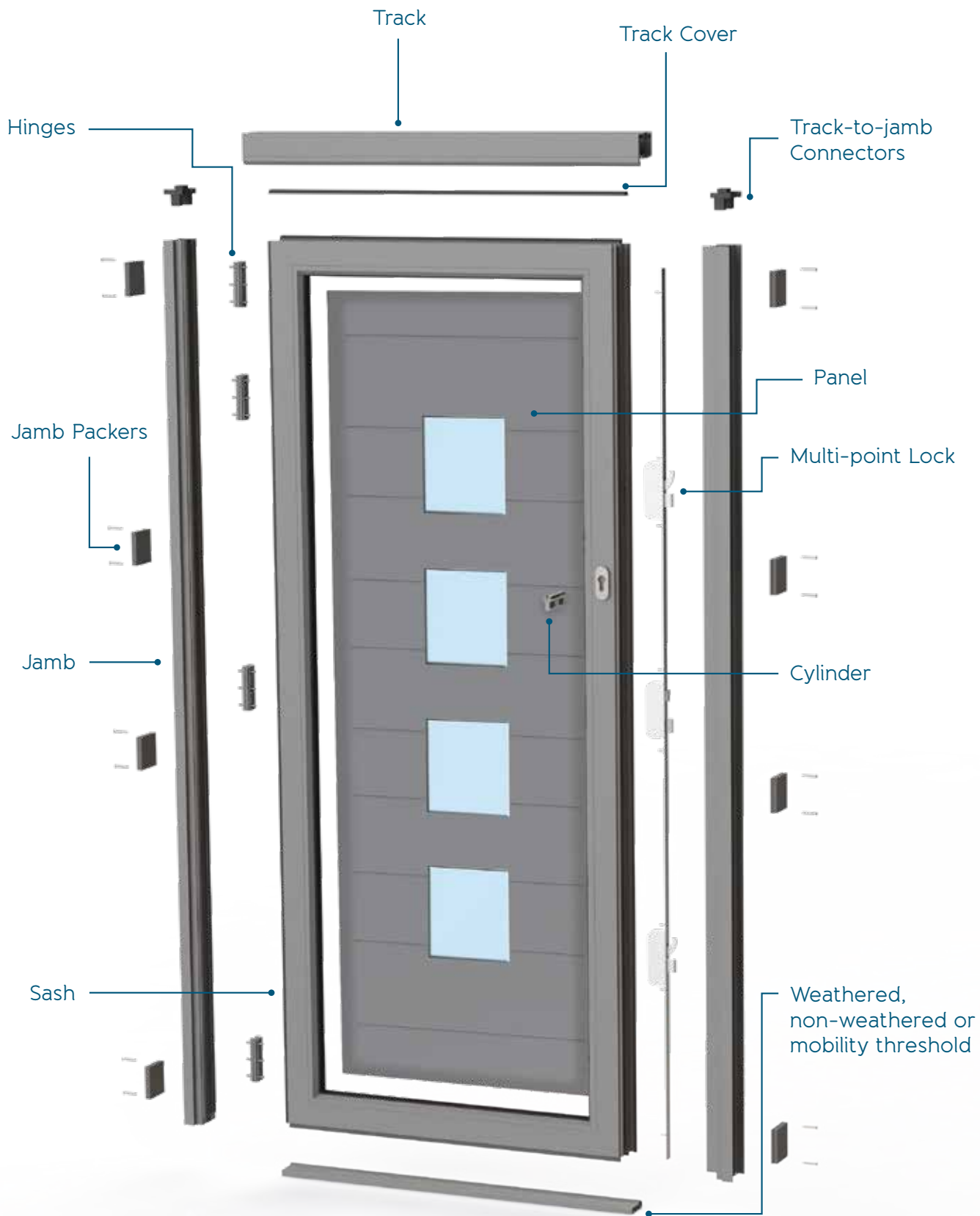


CO 05



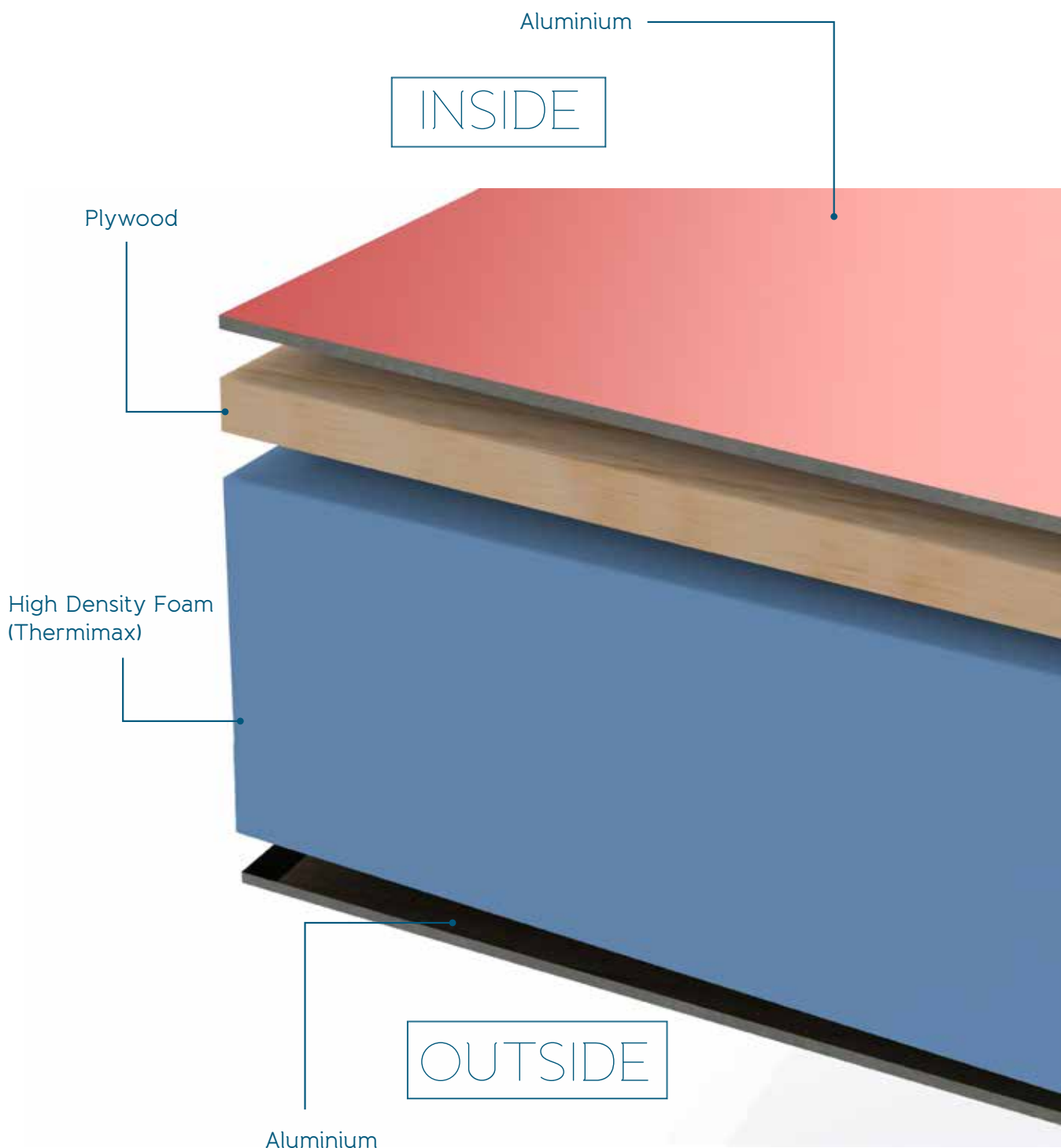
The Sandringham Range features matt, clear or reflective glazing options.

Residential Door Make-Up



Panel shown is GE 01

Panel Make-Up



Size Limitations

Individual door/ sash sizes

	Width	Height
Minimum Sash Size (mm)	325	400
Maximum Sash Size (mm)	1200	2876
Minimum Front Door Size With multi-point lock	467	1000
Maximum Front Door Size With automatic lock	1200	2500
Minimum Front Door Size With multi-point lock	1200	2700
Minimum French Door Size With multi-point lock	822	1000
Maximum French Door Size With automatic lock	2502	2500
Maximum French Door Size With multi-point lock	1200	2700
Minimum Garage Door Size With multi-point lock	822	1000
Maximum Garage Door Size With automatic lock	2502	2500
Maximum Garage Door Size With multi-point lock	2502	2700

Different panels have different min and max sizes. Please see OSS for details.

Performance and Limitations

Origin Thermal Ratings

u-Value

Origin Residential Door Triple Glazed (with krypton)	1.3 W/m ² K
Origin Residential Door Triple Glazed (with argon)	1.5 W/m ² K
Origin Residential Door Double Glazed	1.6 W/m ² K
Origin Residential Door with Panel	1.7 W/m ² K

Weather Rating

Air Permeability	Class 4
Water Tightness	Class 8A
Resistance to Wind Load	Class A5
Exposure Category	2000

Performance Testing

PAS 24:2016 Certified (Document Q Compliant)

BS 6375 Parts 1, 2 and 3 Certified

Secured by Design accredited

Building Regulation Requirements

New Build
and Extensions 2.0 W/m²K

Replacements 1.8 W/m²K

Energy Rating E or better

All doors must conform to
these requirements

Thermal Efficiency

The Origin Residential Door exceeds British Building Regulation requirements for optimum thermal efficiency. With u-Values as low as 1.3, the Residential Door comprises of some of the most sophisticated weather-tight seals to ensure the elements stay out.



OB-72

Certificate of PAS 24

PRODUCT:	ORIGIN BI-FOLD OB-72
----------	----------------------

SUMMARY OF TESTING PROCEDURE: PAS 24: 2016 - CLAUSE ANNEX A, B4.3, B.4.4.2, B.4.4.3, B.4.4.4, B.4.5, B.4.6, B.4.8 AND B.4.9.2.2	RESULT: PASS
--	-----------------

PASSED PAS 24: 2016 FOR THE REQUIREMENTS OF BOTH 3 STAR KEY REMOVABLE AND THUMBTURN CYLINDERS.

TO COMPLY, A BSEN 356 P1A CERTIFIED GLASS UNIT MUST BE INSTALLED.

Secured by Design

Police Preferred Specification

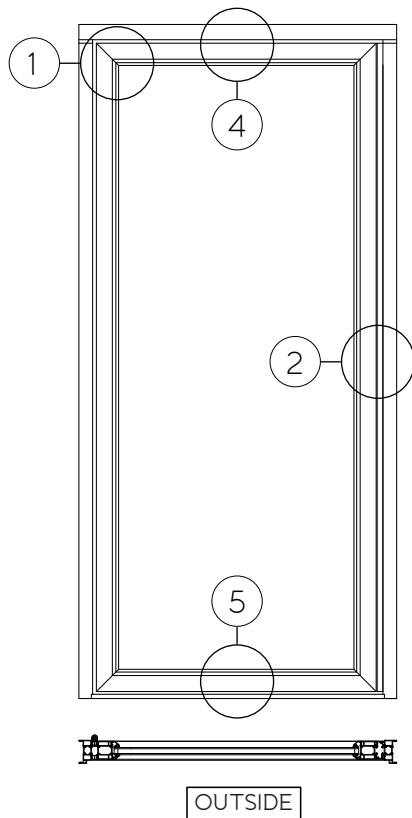
TESTED BY: Build Check Ltd
REFERENCE: securedbydesign.com/member-companies/sbd-members
DATE: 01/08/2019

Email: enquiry@origin-global.com | Web: www.origin-global.com
Origin Global HQ, Stuart House, Castle Estate, Coronation Road,
Cressex Business Park, High Wycombe, Buckinghamshire, HP12 3TA
OFDL_18.144.1

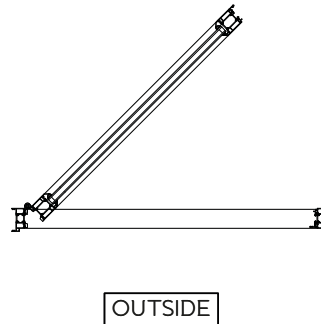
origin
DOORS AND WINDOWS

Master Configurations

Master Configuration: Single Door



See Configuration Key for section detail ▶

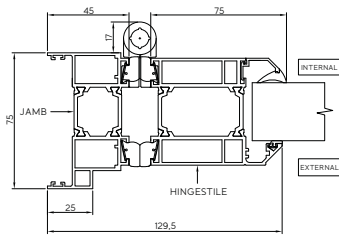


Key features

- ▶ Multi-point locking system
- ▶ 4 security hinges for optimum security
- ▶ Can be specified to open in or out
- ▶ 10 panel styles

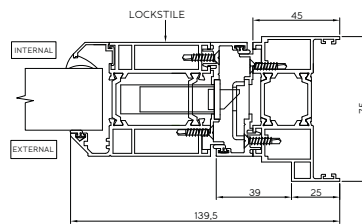
Configuration Key

1 - Hinge Jamb Detail



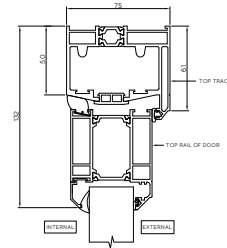
See page 36

2 - Locking Jamb Detail



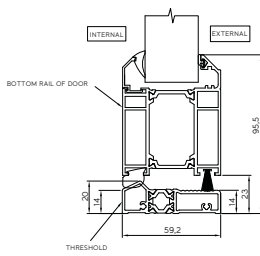
See page 37

4 - Top Track Detail



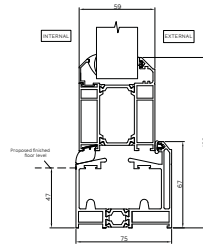
See page 39

5 - Mobility Threshold Detail



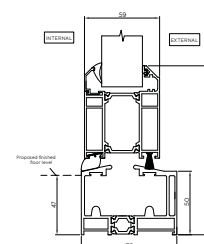
See page 40

5a - Weathered Threshold Detail



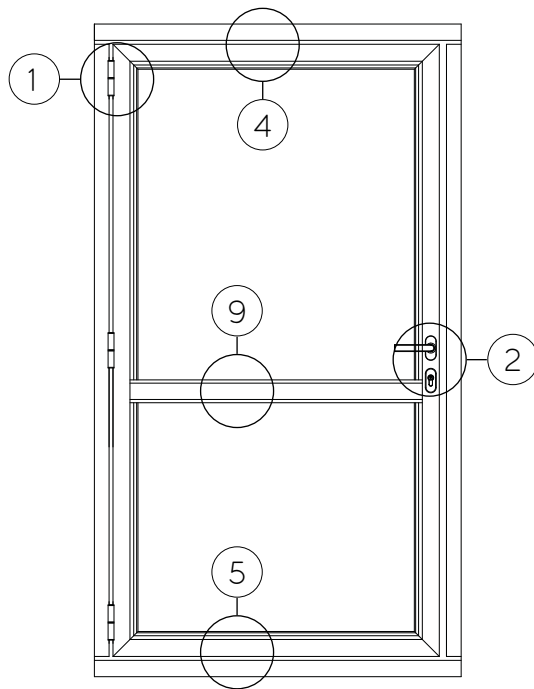
See page 41

5b - Non-Weathered Threshold Detail



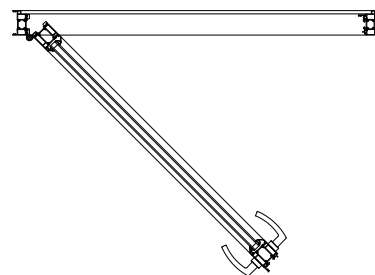
See page 42

Master Configuration: Single Door with Mid-rail



See Configuration Key for section detail ▶

VIEWED EXTERNALLY

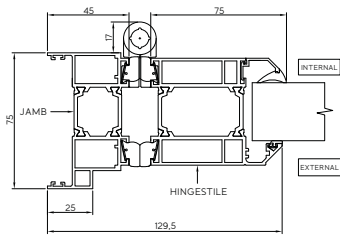


Key features

- ▶ Origin 8-point locking system depending on height
- ▶ Is able to be used for an everyday access door

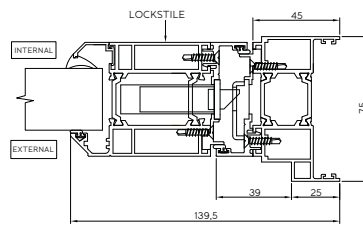
Configuration Key

1 - Hinge Jamb Detail



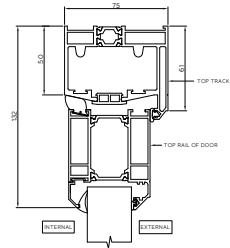
See page 36

2 - Locking Jamb Detail



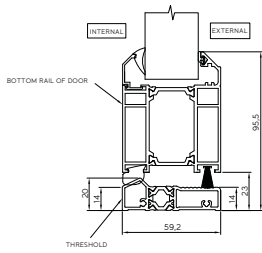
See page 37

4 - Top Track Detail



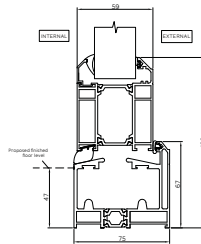
See page 39

5 - Mobility Threshold Detail



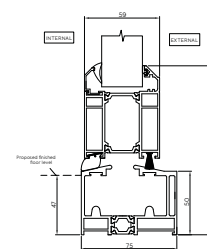
See page 40

5a - Weathered Threshold Detail



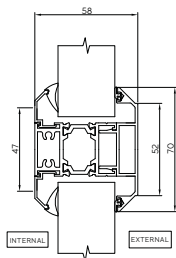
See page 41

5b - Non-Weathered Threshold Detail



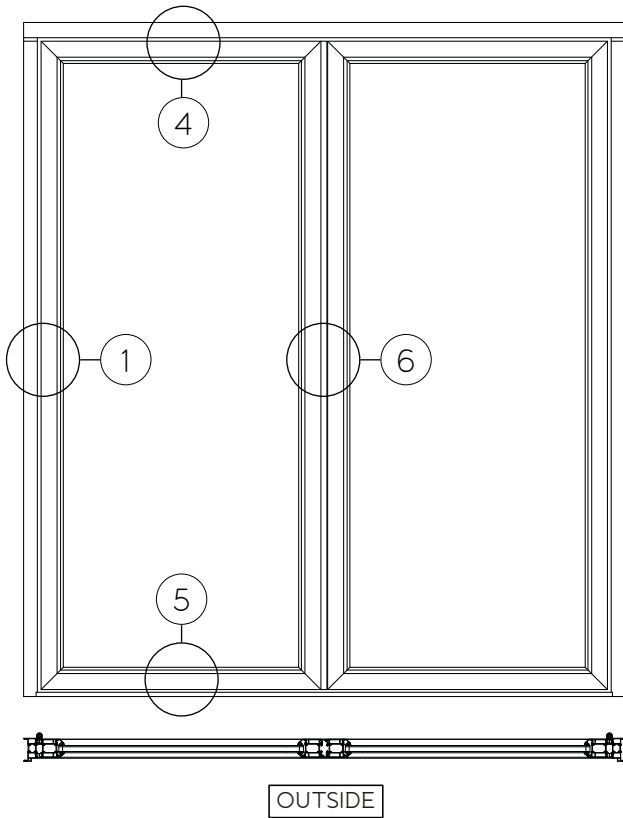
See page 42

9 - Mid-rail Detail

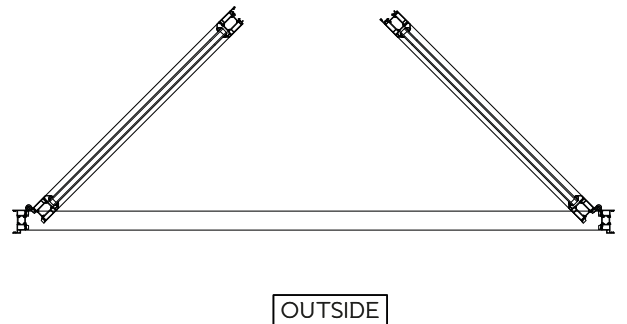


See page 47

Master Configuration: French Door



See Configuration Key for section detail ▶

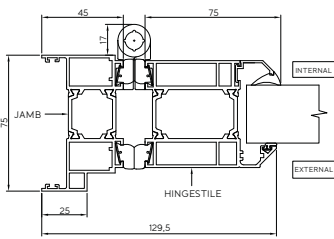


Key features

- ▶ Multi-point locking system
- ▶ Works as a French or garage door
- ▶ Can be specified to open in or out
- ▶ When being used as a garage door, it can be specified to have no threshold

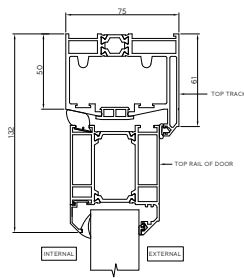
Configuration Key

1 - Hinge Jamb Detail



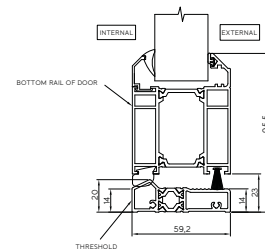
See page 36

4 - Top Track Detail



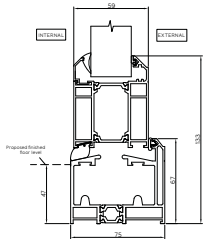
See page 39

5 - Mobility Threshold Detail



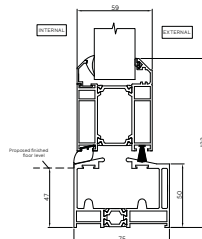
See page 40

5a - Weathered Threshold Detail



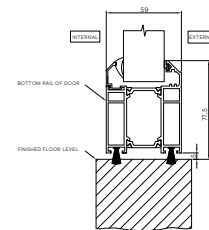
See page 41

5b - Non-Weathered Threshold Detail



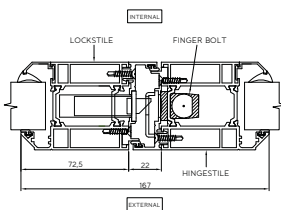
See page 42

5c - No Threshold Detail (garage doors only)



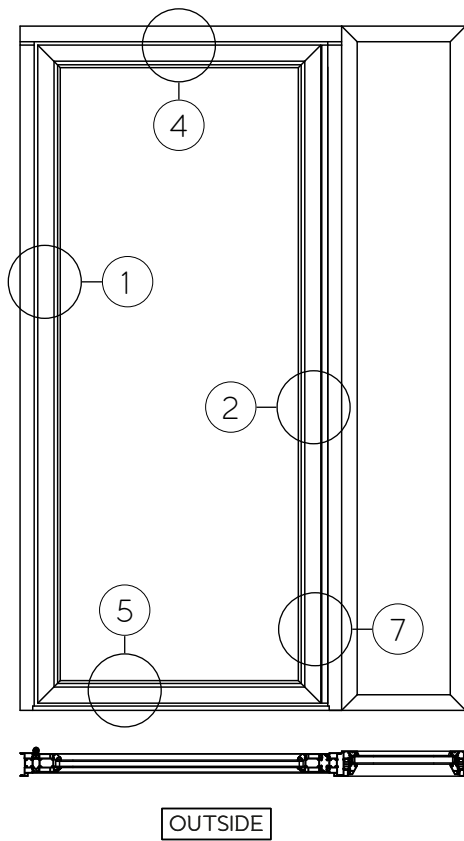
See page 43

6 - Locking Slave Detail

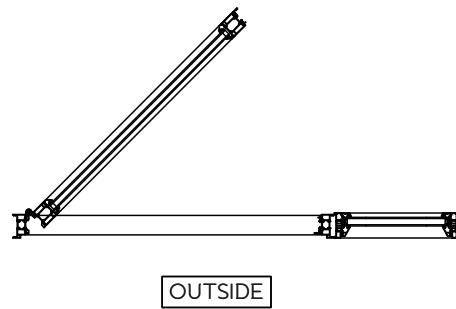


See page 44

Master Configuration: Door-to-Sidelight



See Configuration Key for section detail ▶

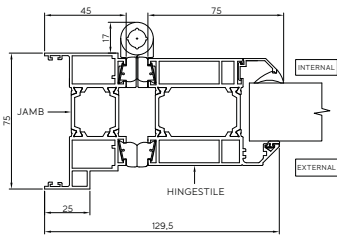


Key features

- ▶ Multi-point locking system
- ▶ Door-to-window coupling
- ▶ Coupled windows can have 28mm, 32mm or 44mm glass units
- ▶ Matching decorative side panels available

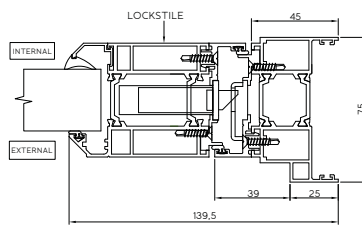
Configuration Key

1 - Hinge Jamb Detail



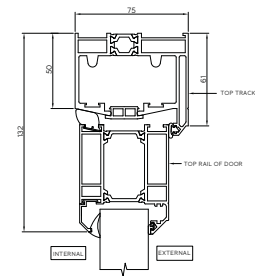
See page 36

2 - Locking Jamb Detail



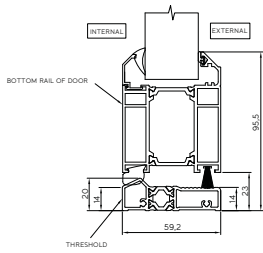
See page 37

4 - Top Track Detail



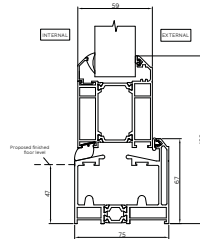
See page 39

5 - Mobility Threshold Detail



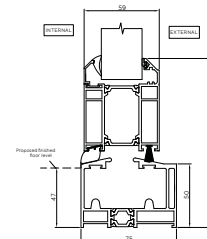
See page 40

5a - Weathered Threshold Detail



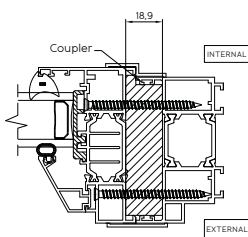
See page 41

5b - Non-Weathered Threshold Detail



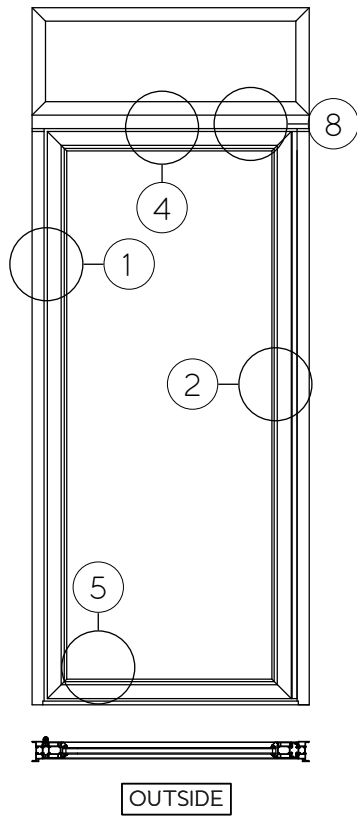
See page 42

7 - Window-To-Door Jamb Coupler Detail

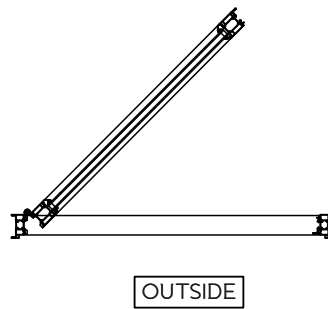


See page 45

Master Configuration: Door-to-Transom



See Configuration Key for section detail ▶

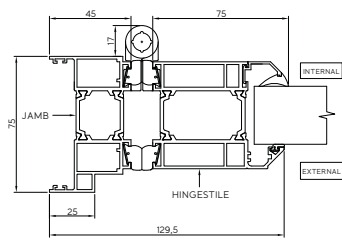


Key features

- ▶ Multi-point locking system
- ▶ Door-to-window coupling
- ▶ Windows can be glazed with 28 and 44mm glass units
- ▶ Matching decorative side panels available

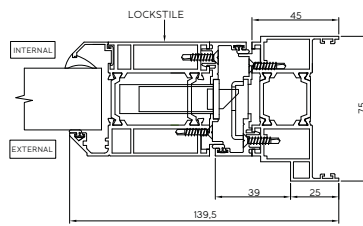
Configuration Key

1 - Hinge Jamb Detail



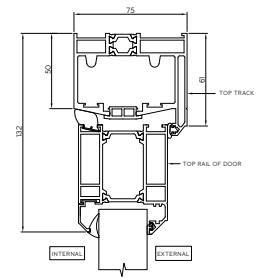
See page 36

2 - Locking Jamb Detail



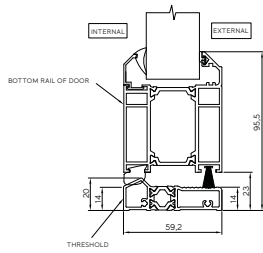
See page 37

4 - Top Track Detail



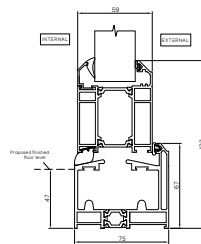
See page 39

5 - Mobility Threshold Detail



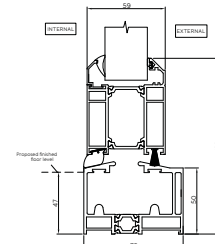
See page 40

5a - Weathered Threshold Detail



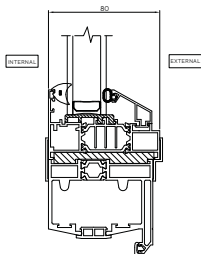
See page 41

5b - Non-Weathered Threshold Detail



See page 42

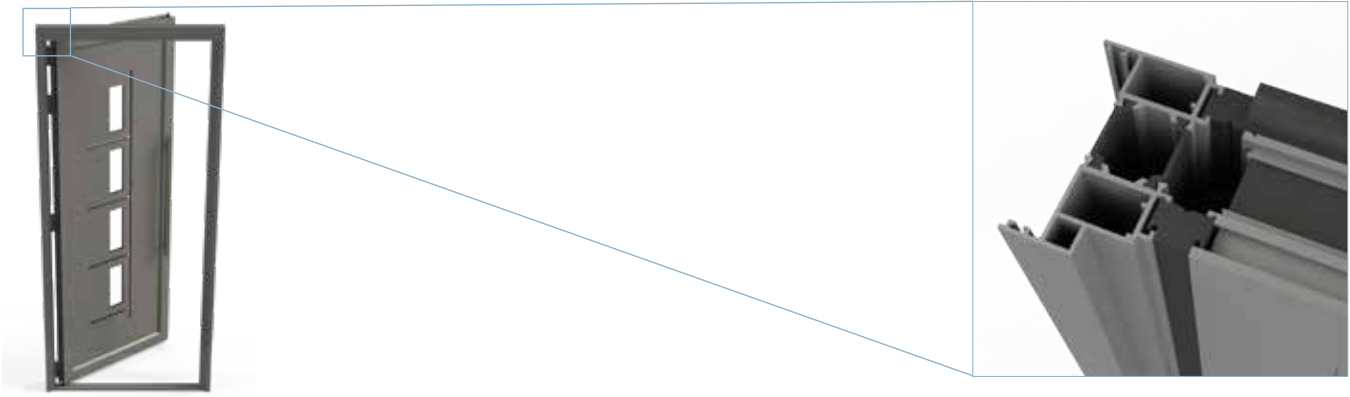
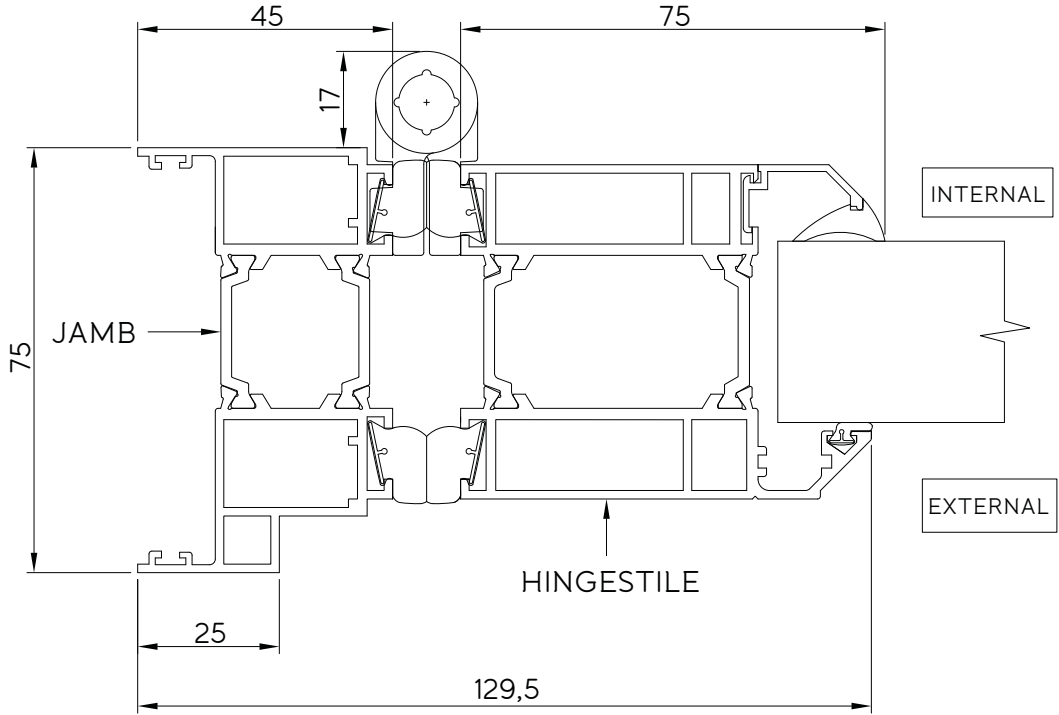
8 - Window-To-Track Coupler Detail



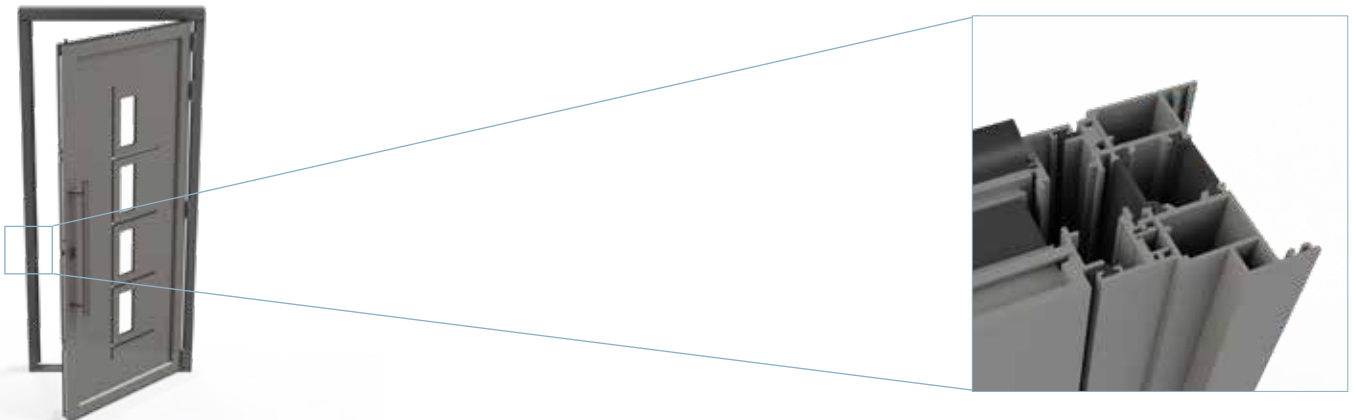
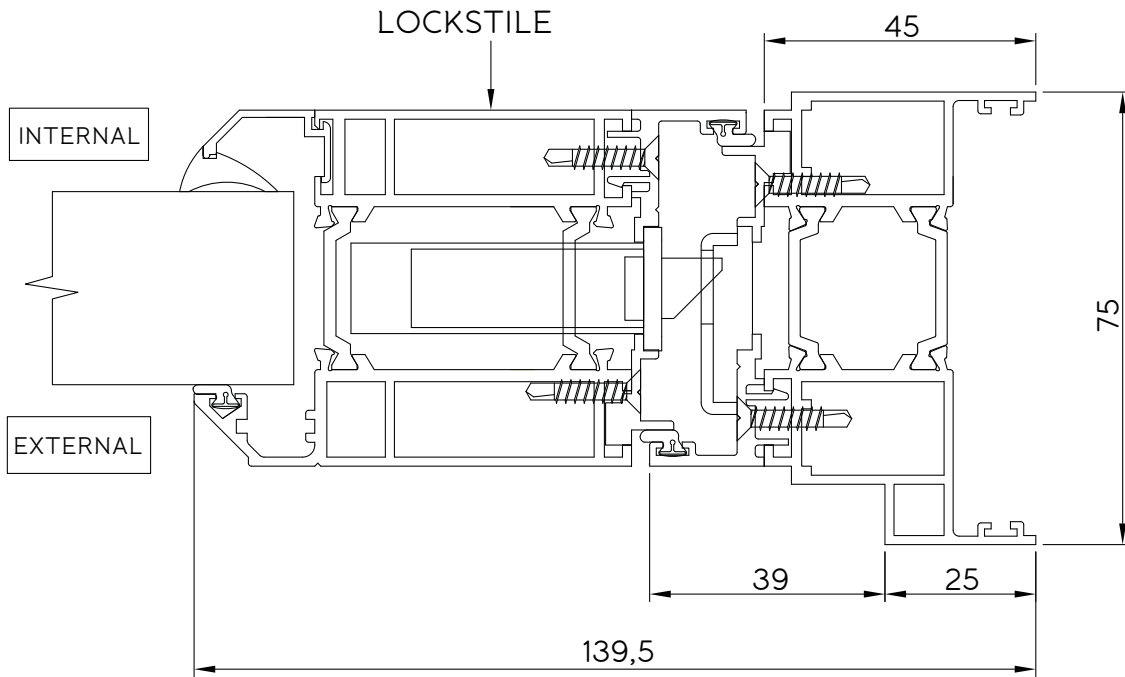
See page 46

Technical Drawings

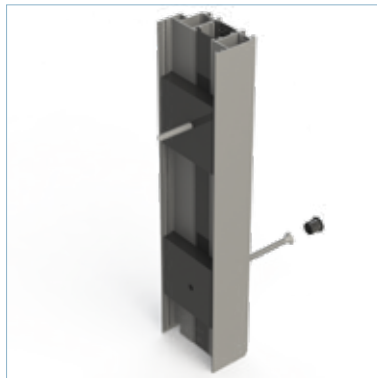
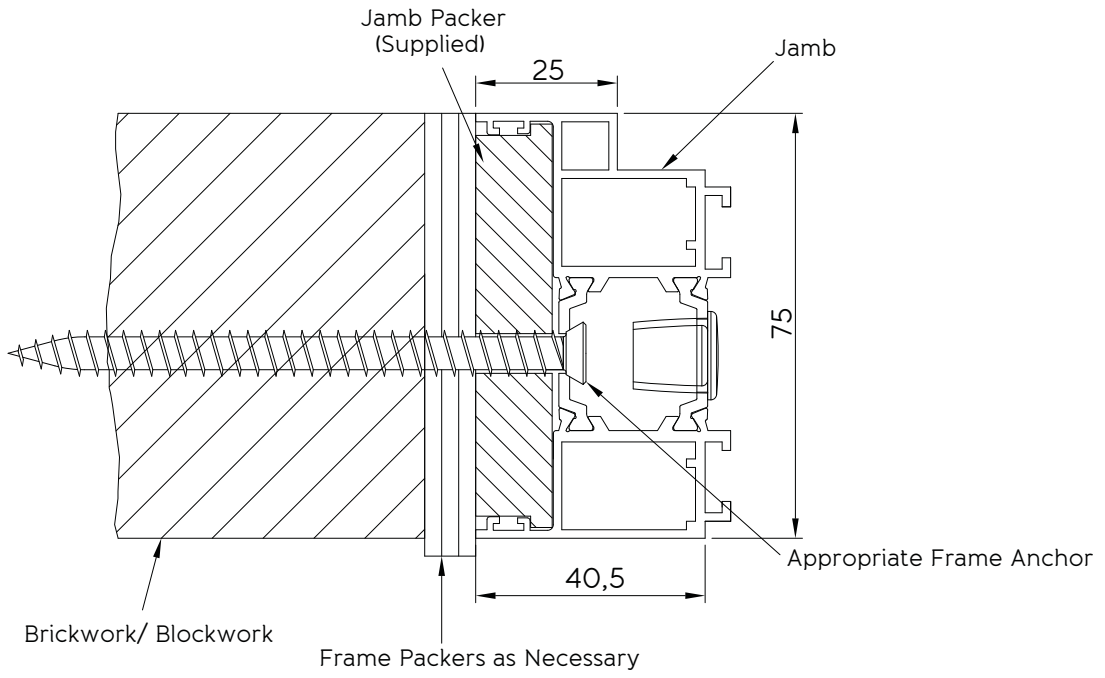
1 Hinge Jamb Detail



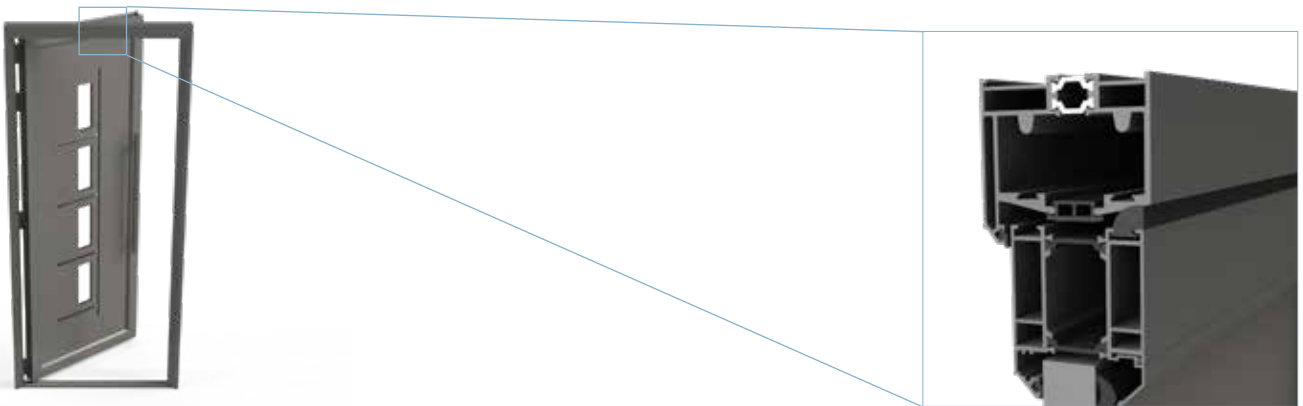
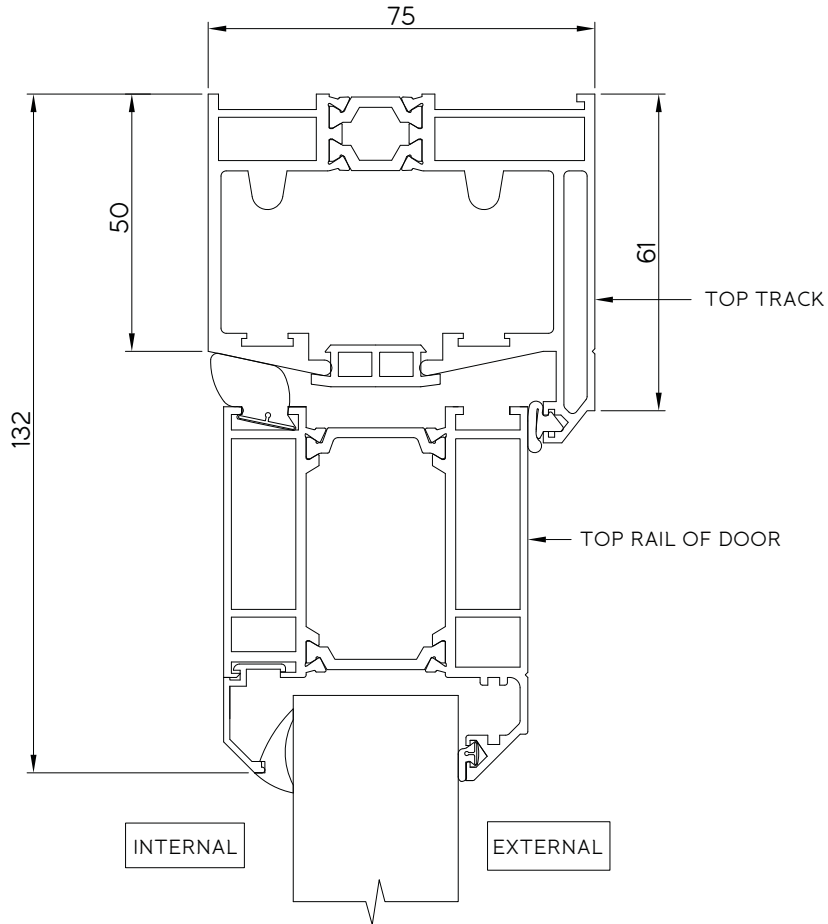
2 Locking Jamb Detail



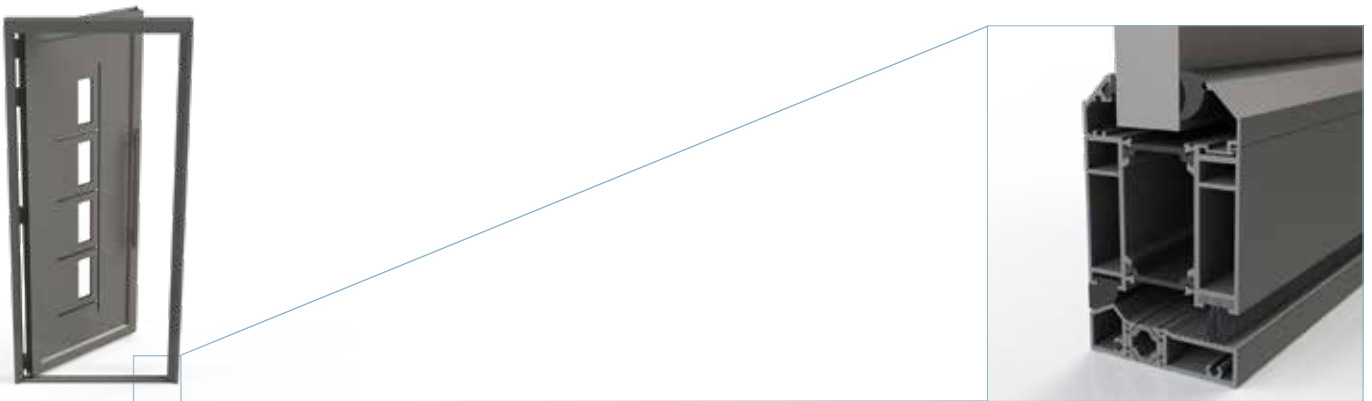
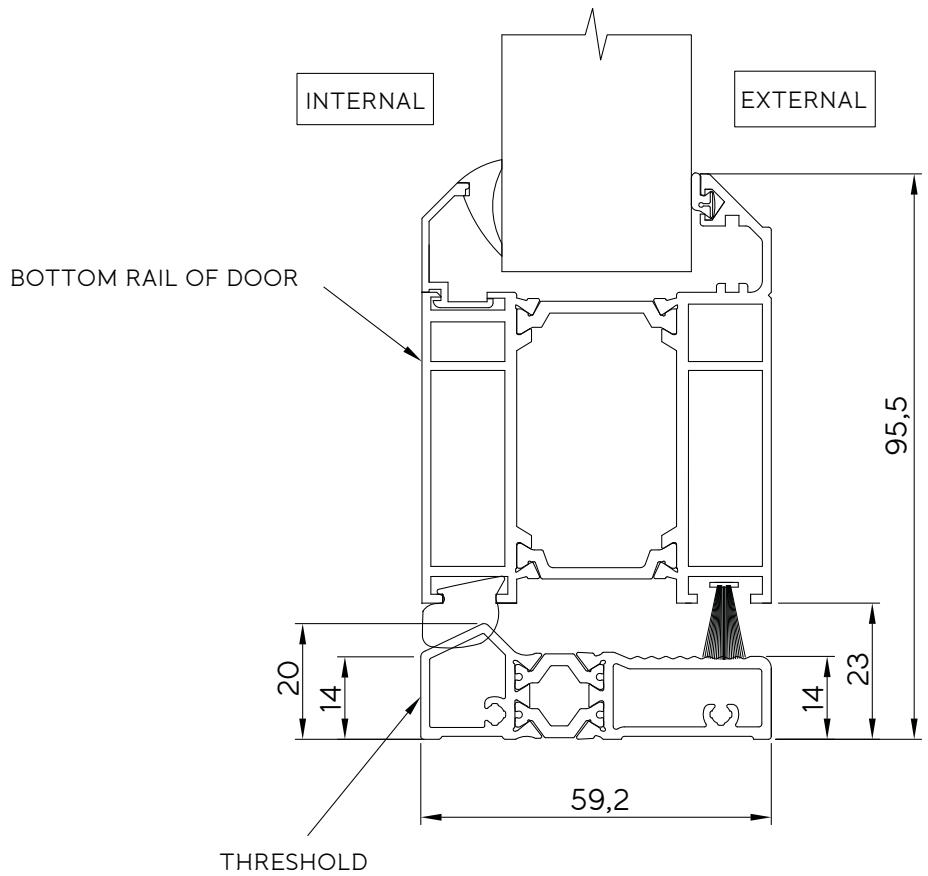
3 Jamb Fixing Detail



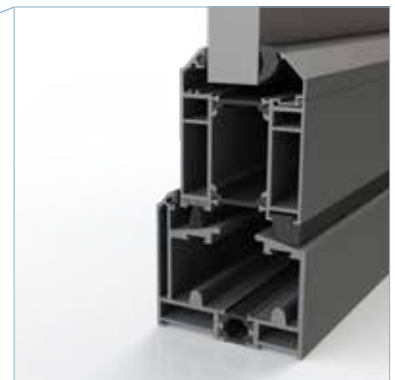
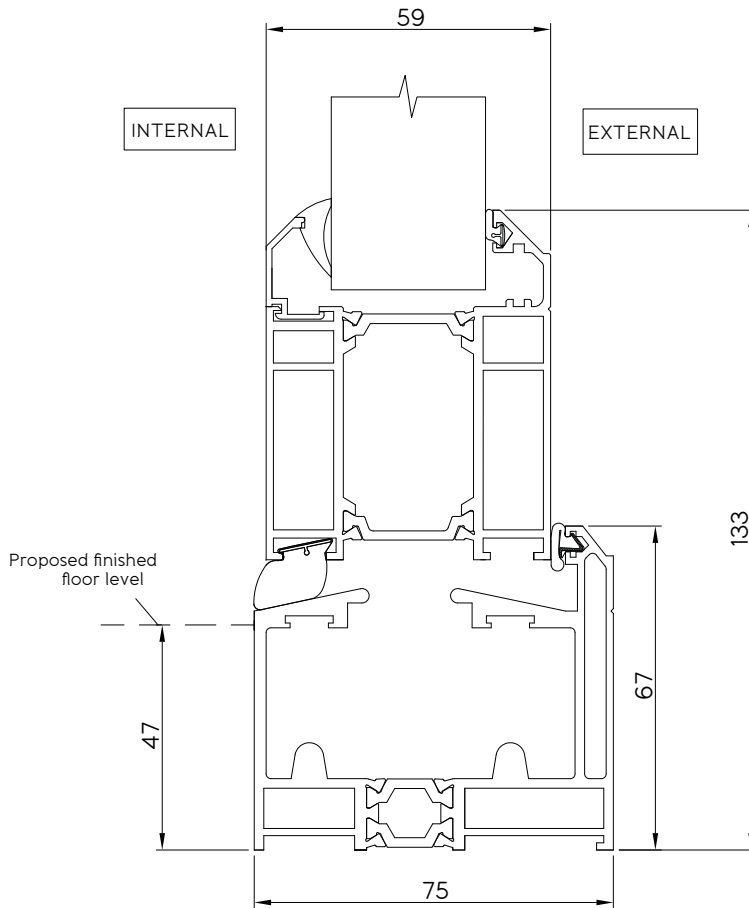
4 Top Track Detail



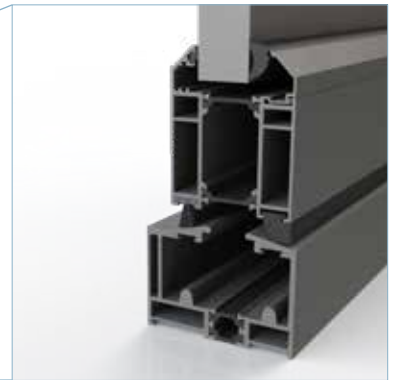
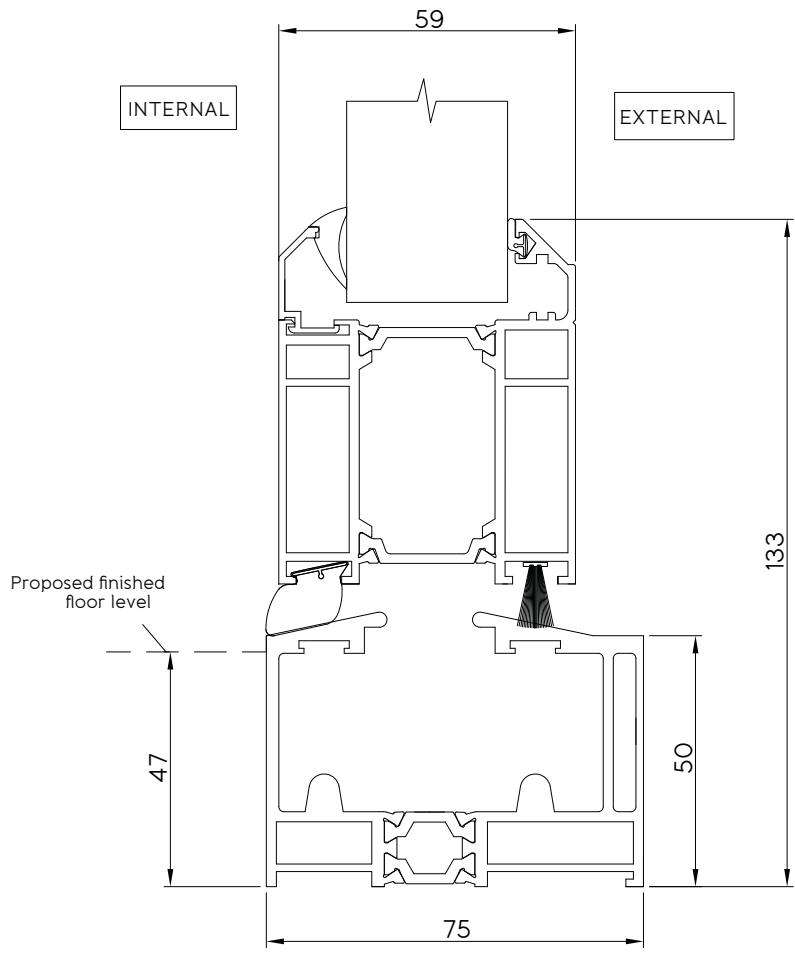
5 Mobility Threshold Detail



5a Weathered Threshold Detail

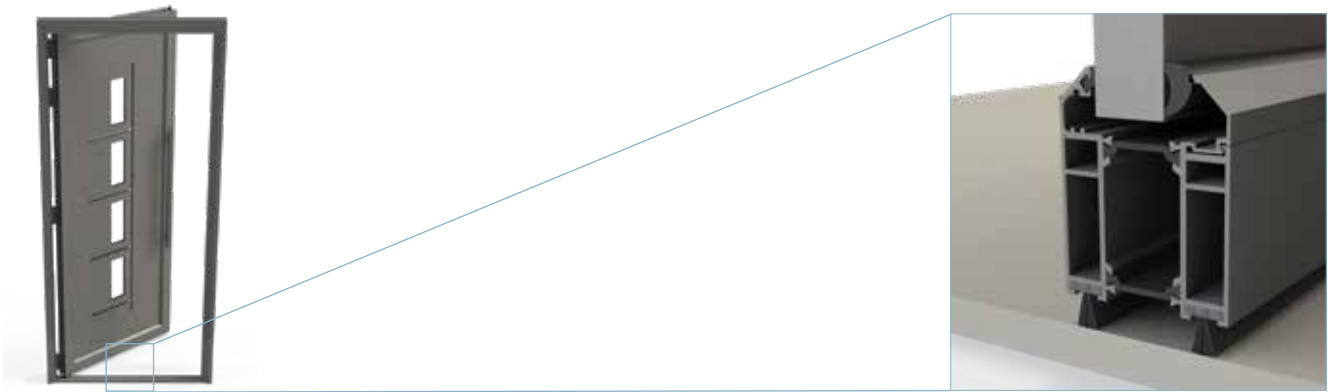
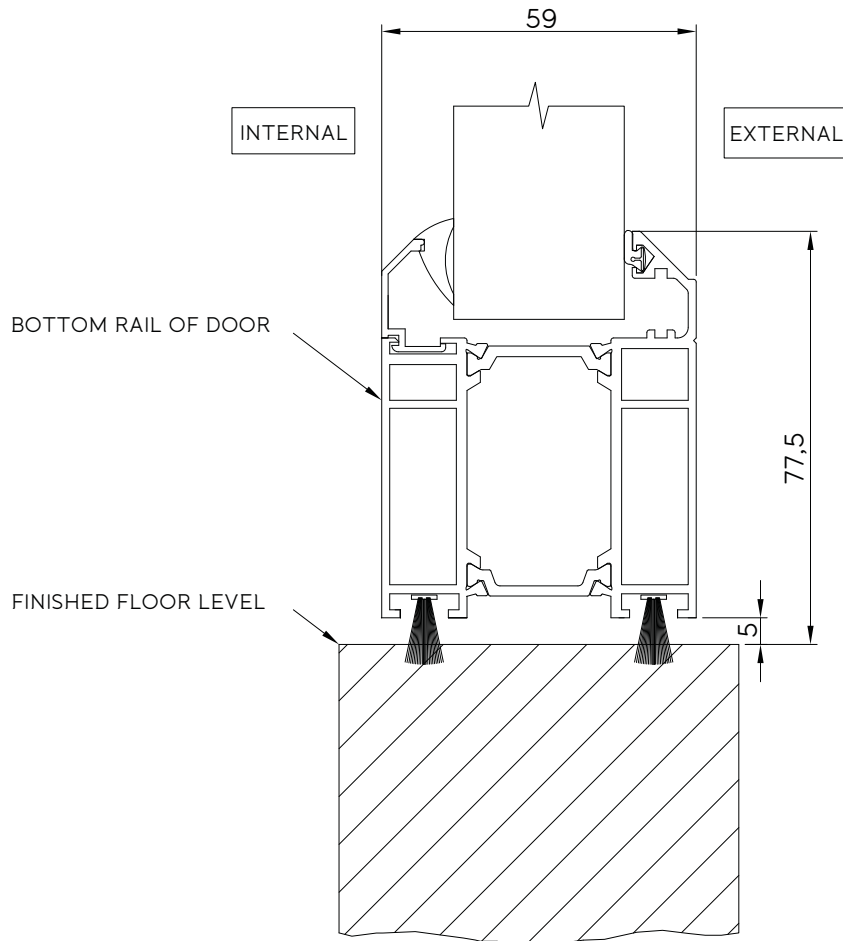


5b Non-Weathered Threshold Detail

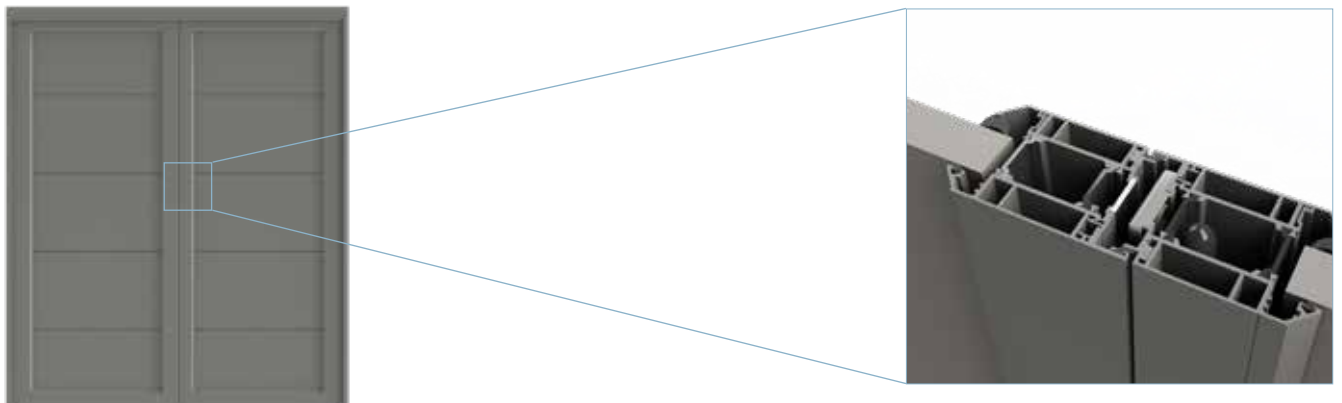
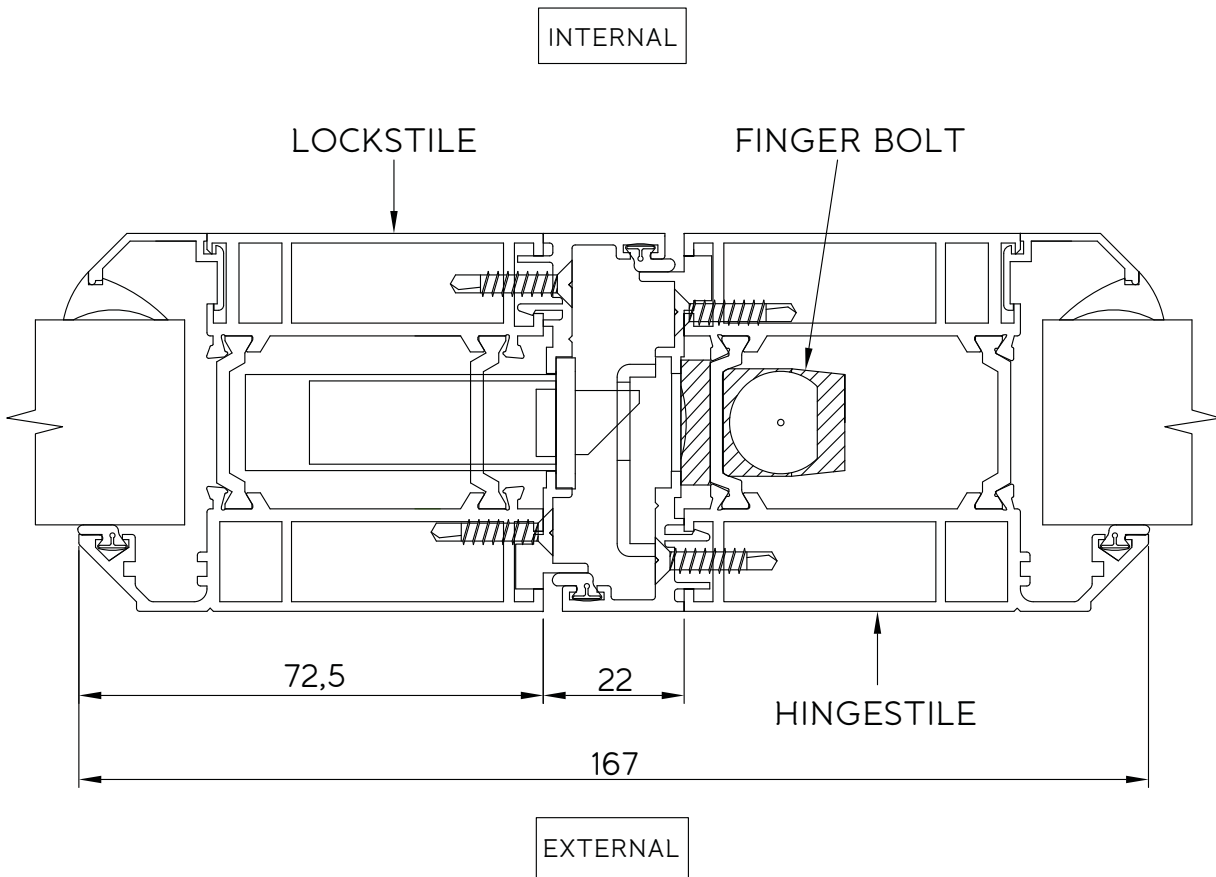


5c No Threshold Detail

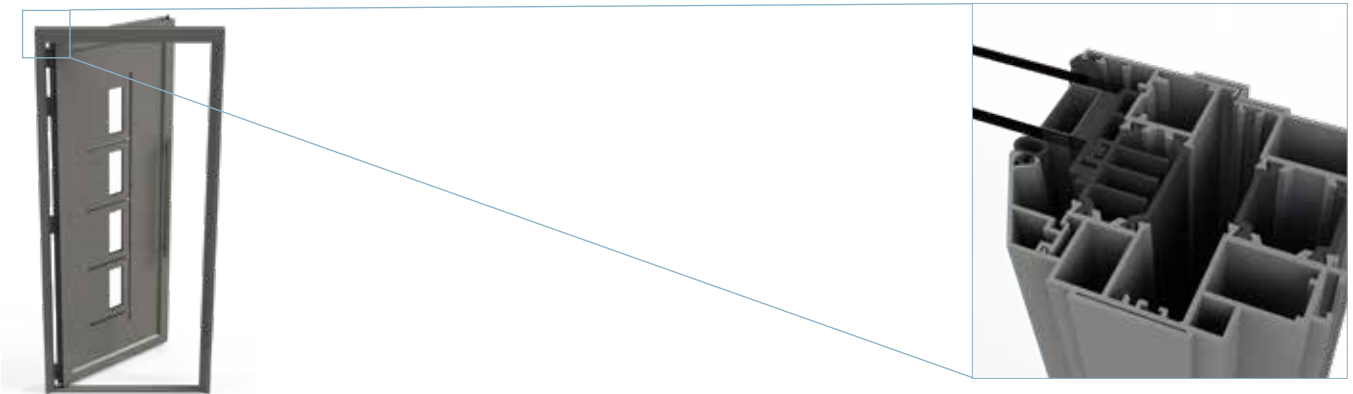
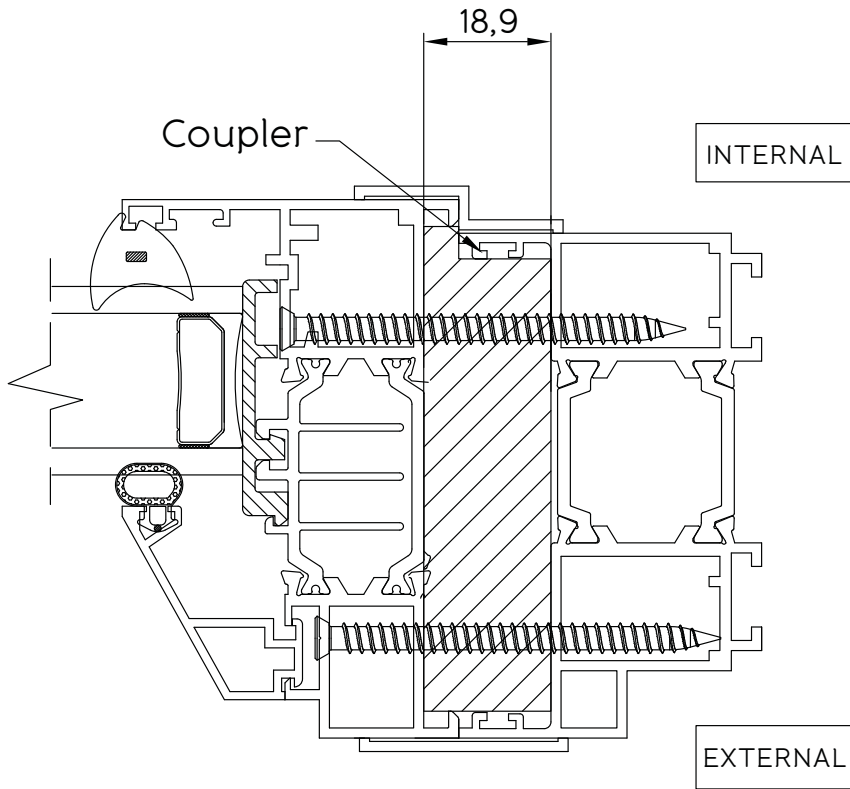
(Garage door only)



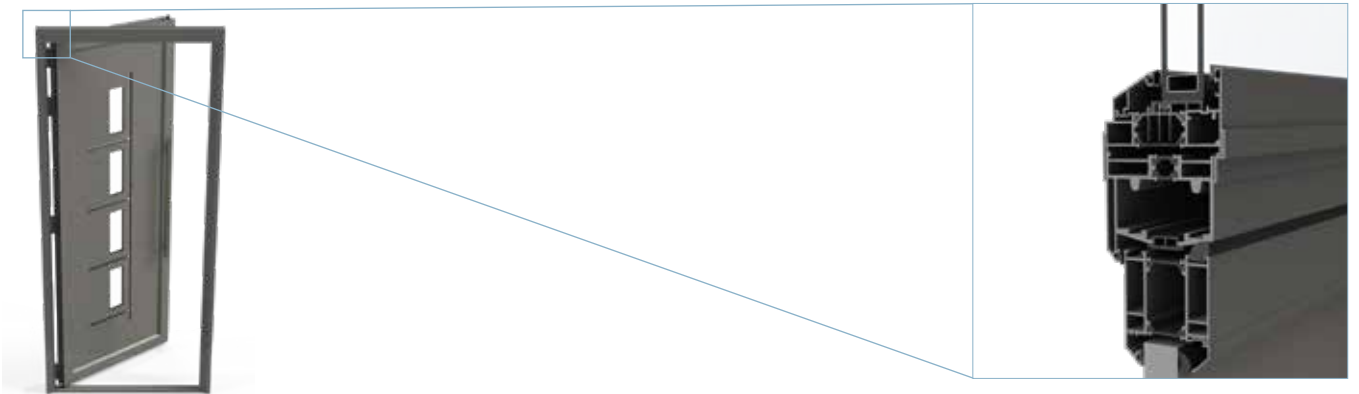
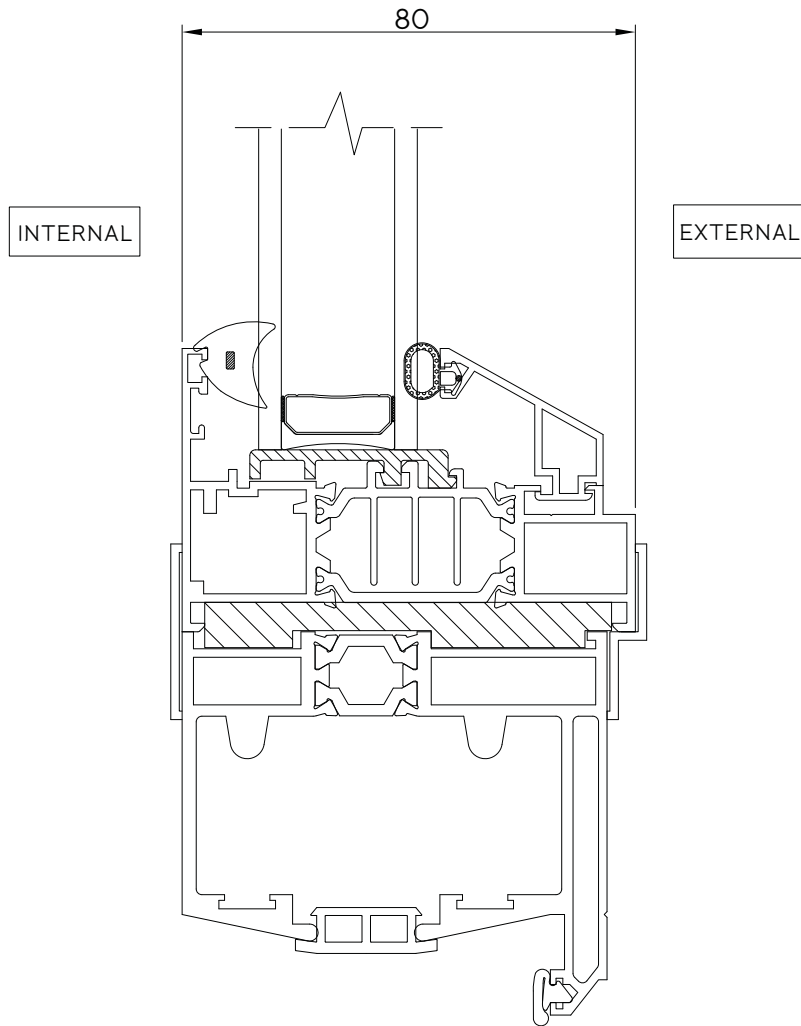
6 Locking Slave Detail



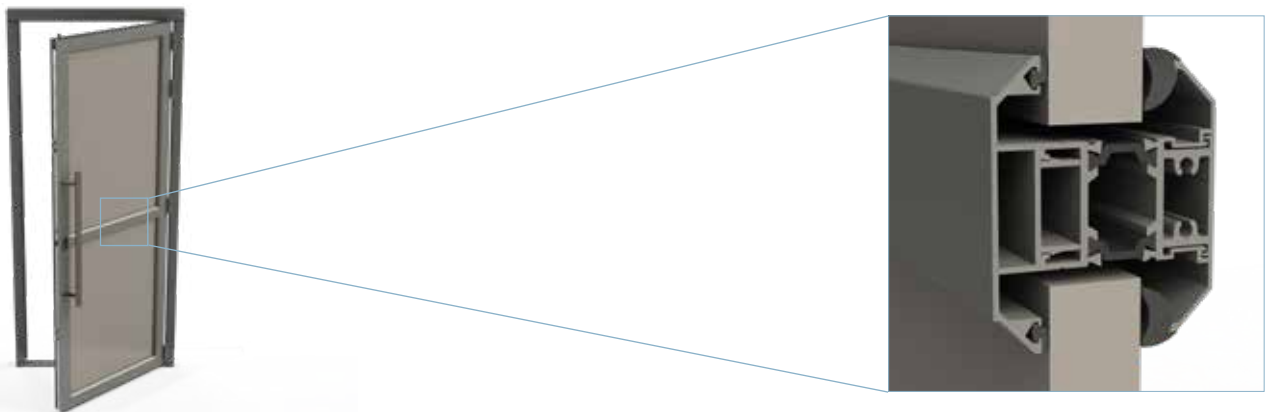
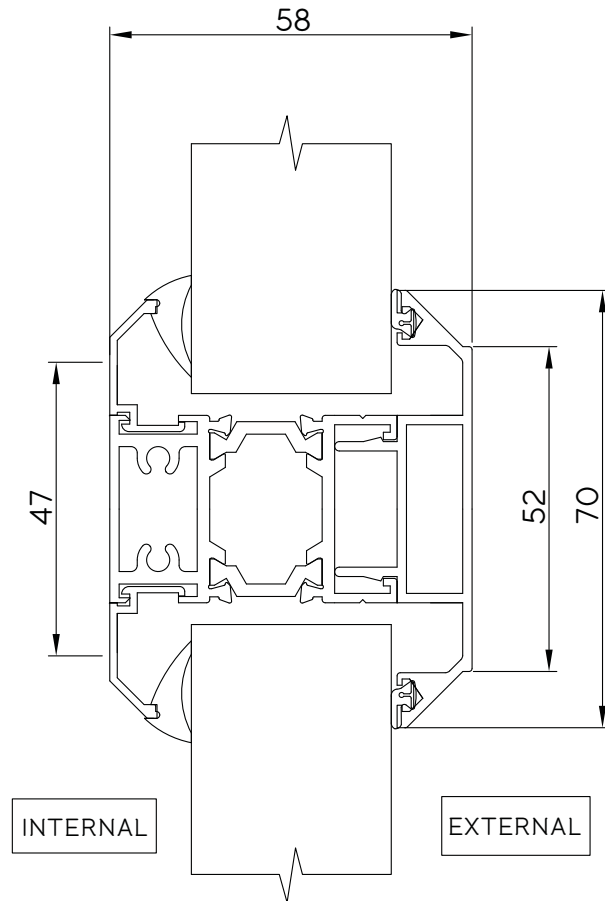
7 Window-to-Door Jamb Coupler Detail



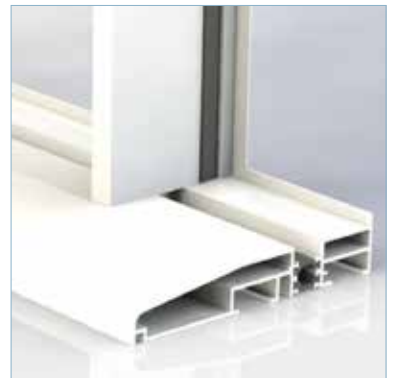
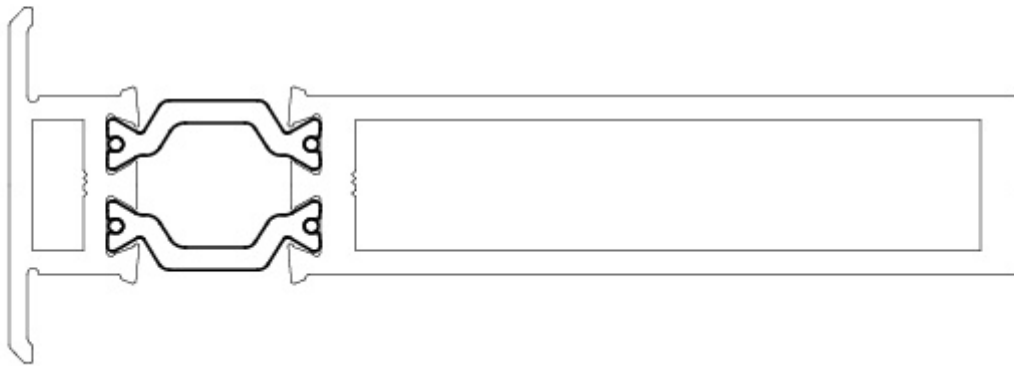
8 Window-to-Track Coupler Detail



9 Mid-rail Detail



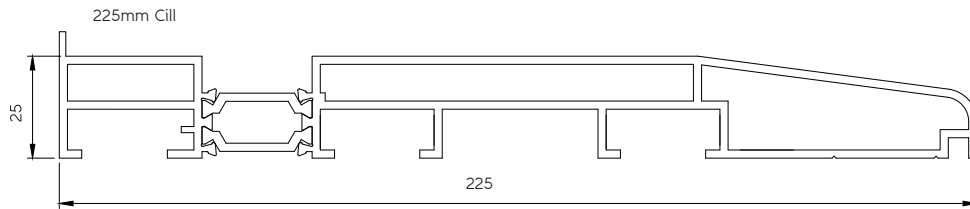
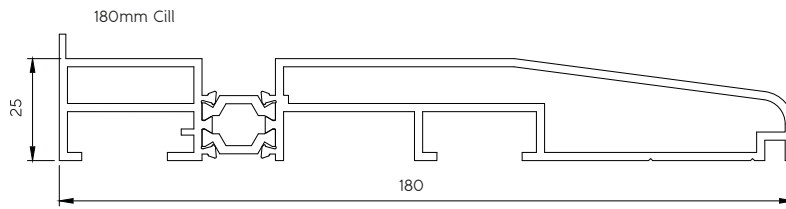
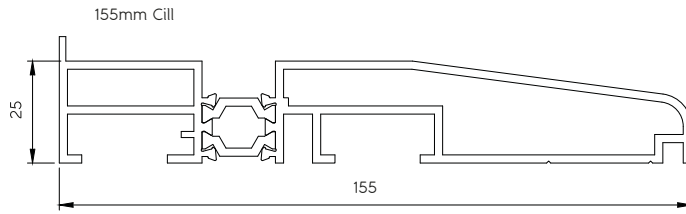
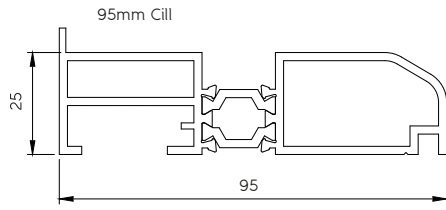
10 Door-to-Window Coupler Detail



See p64 for install instructions

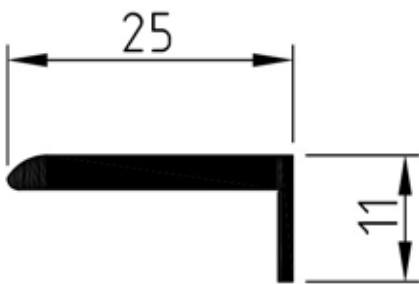
11

Cills



12 Trim Options

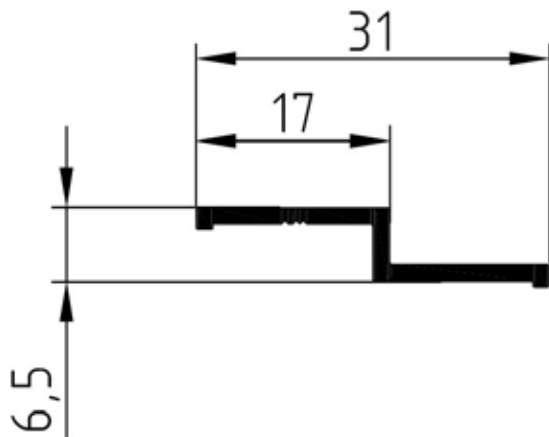
25mm Flat Trim



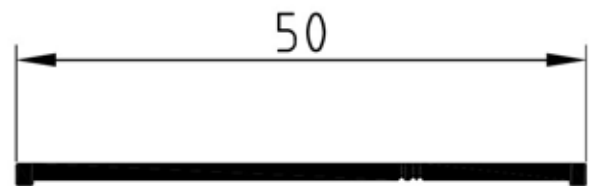
31mm Flat Trim



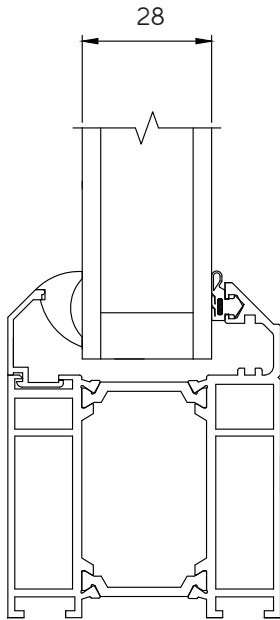
31mm Stepped Trim



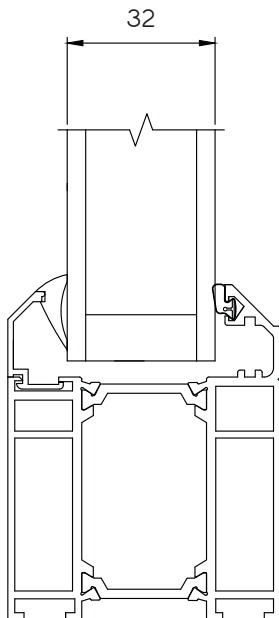
50mm Flat Trim



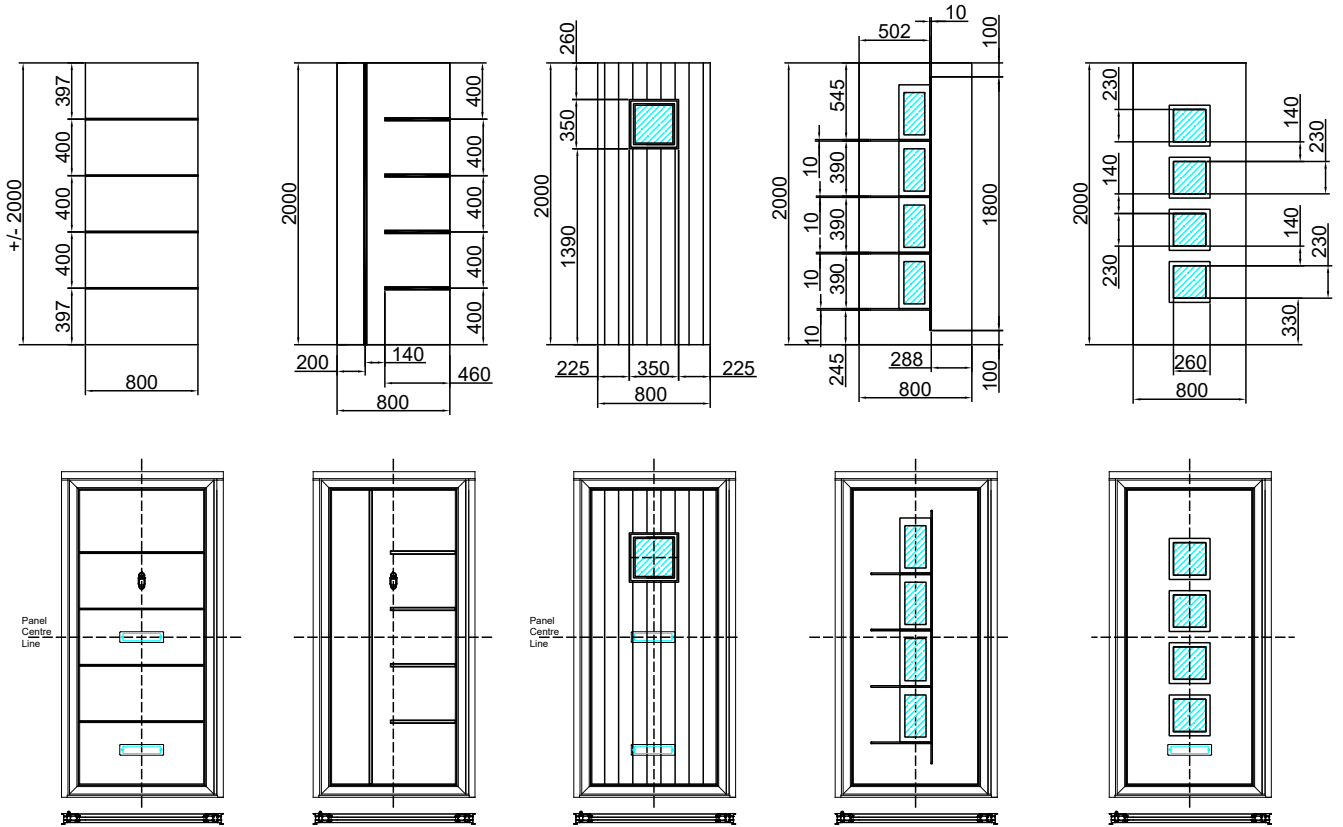
13a 28mm Glazing Unit



13b 32mm Glazing Unit



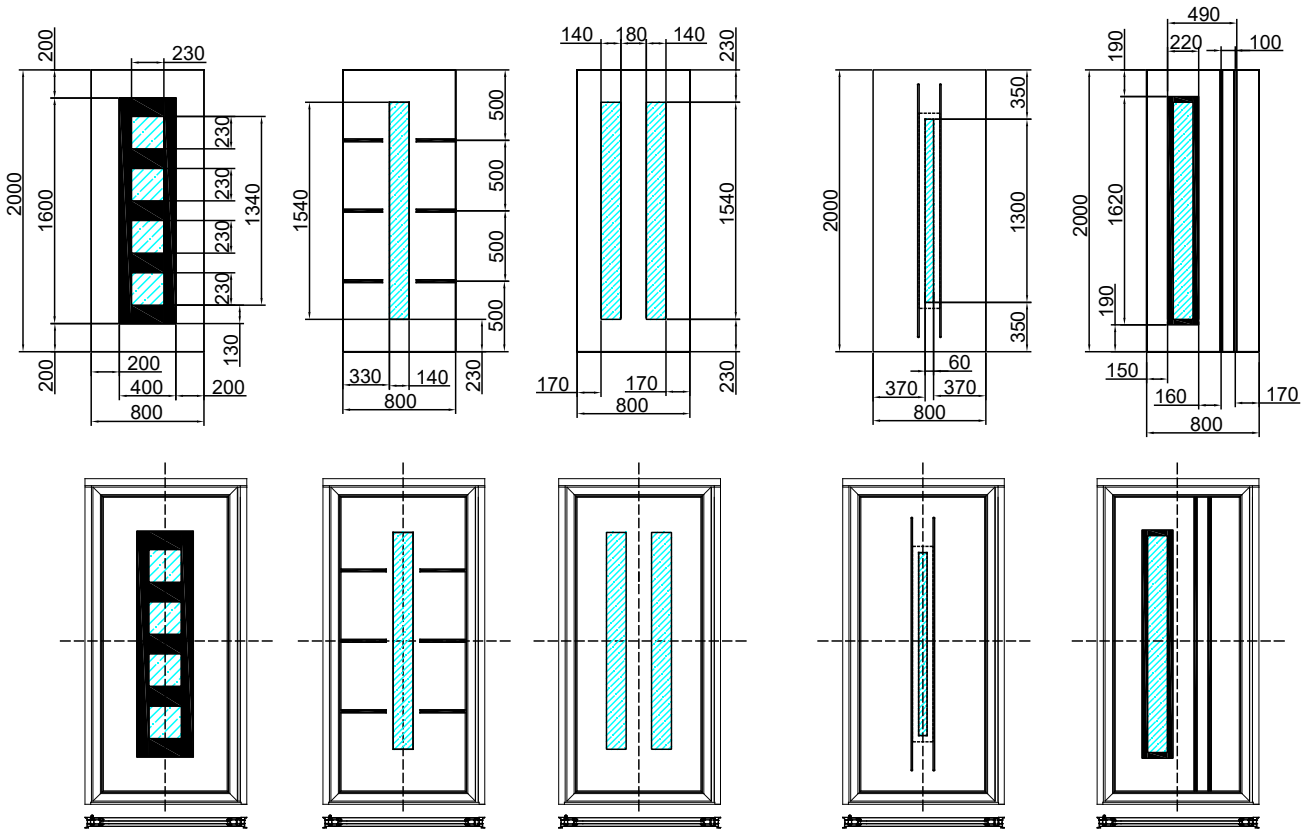
13a Kensington Range Accessory Postions



PANEL	LETTEBOX	KNOCKER	SPYHOLE
SE 04	YES	YES	YES
SE 07	YES	YES	YES
TR 02	YES	NO	NO
KE 04	NO	NO	NO
GE 01	YES	NO	NO
CO 04	NO	NO	NO
SA 02	NO	NO	NO
SA 03	NO	NO	NO
SE 01	NO	NO	NO
CO 05	NO	NO	NO

Letterbox positioning can be chosen to be in the middle or at the bottom. With new building regulations regarding letterbox positioning, please ensure your chosen position is in line with these regulations before placing an order.

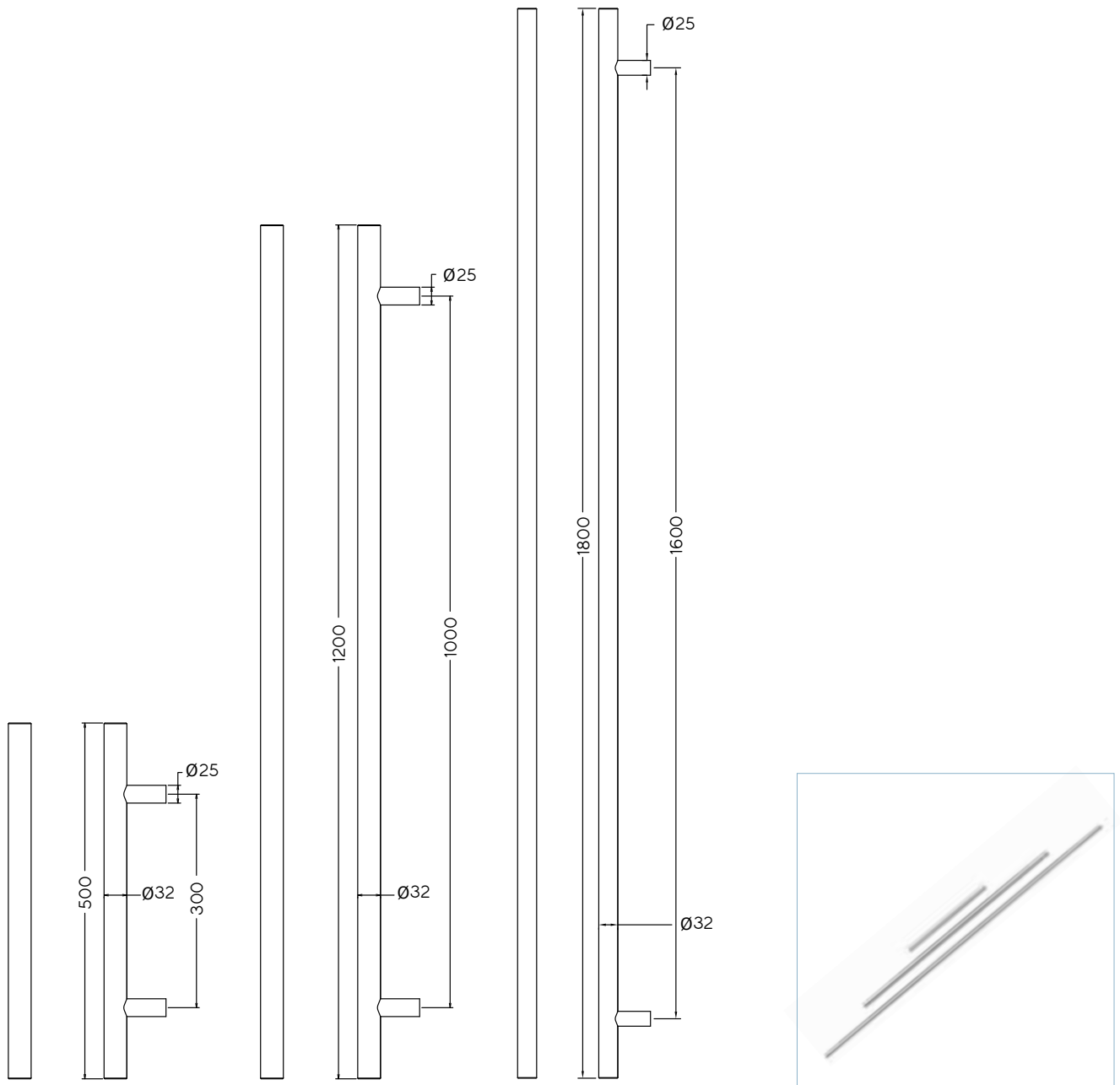
13b Sandringham Range Accessory Postions



Letterbox positioning can be chosen to be in the middle or at the bottom. With new building regulations regarding letterbox positioning, please ensure your chosen position is in line with these regulations before placing an order.

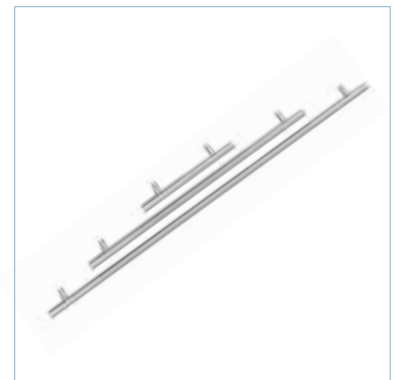
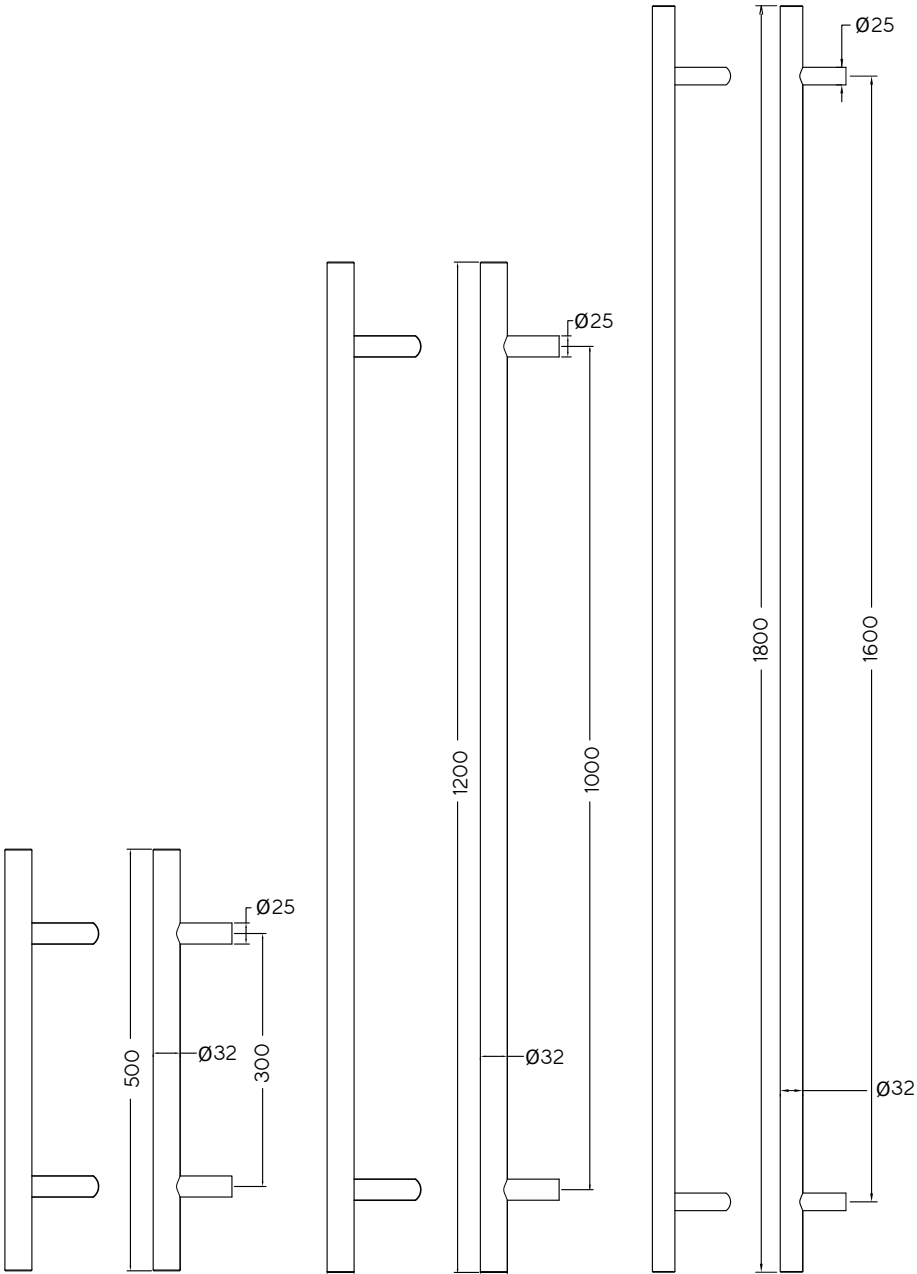
Handles

Hafi Straight Bar Handle



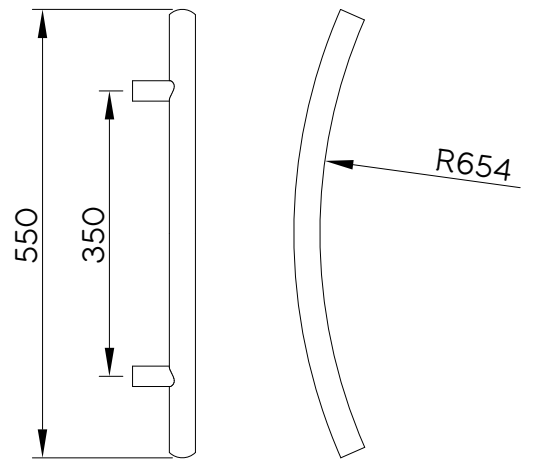
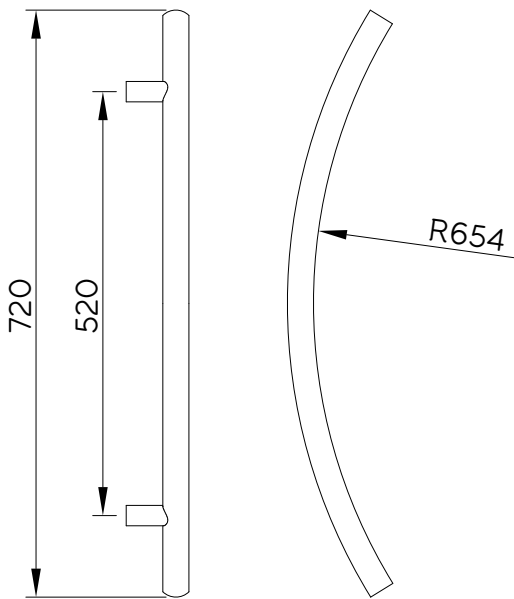
Available in 3 sizes: 500mm, 1200mm and 1800mm.

Hafi Offset Bar Handle



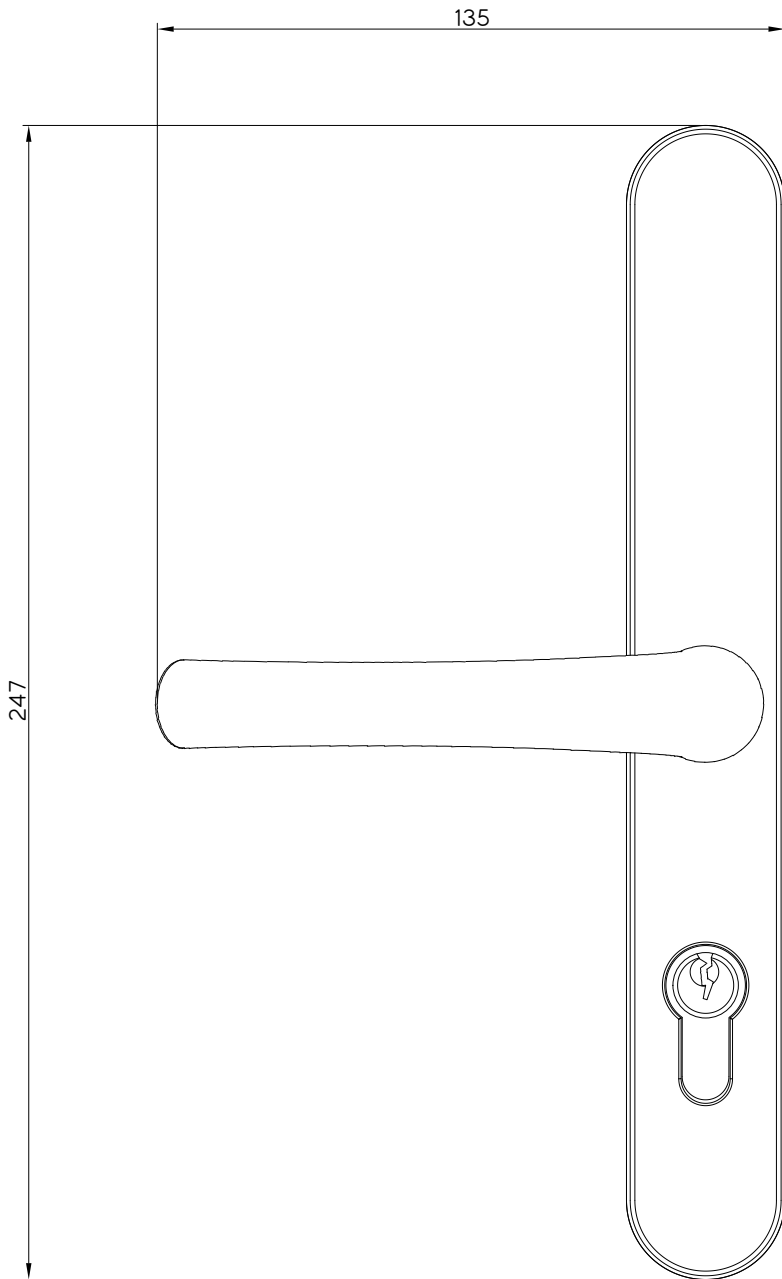
Available in 3 sizes: 500mm, 1200mm and 1800mm.

Bow Bar Handle



Available in 2 sizes: 550mm and 720mm.

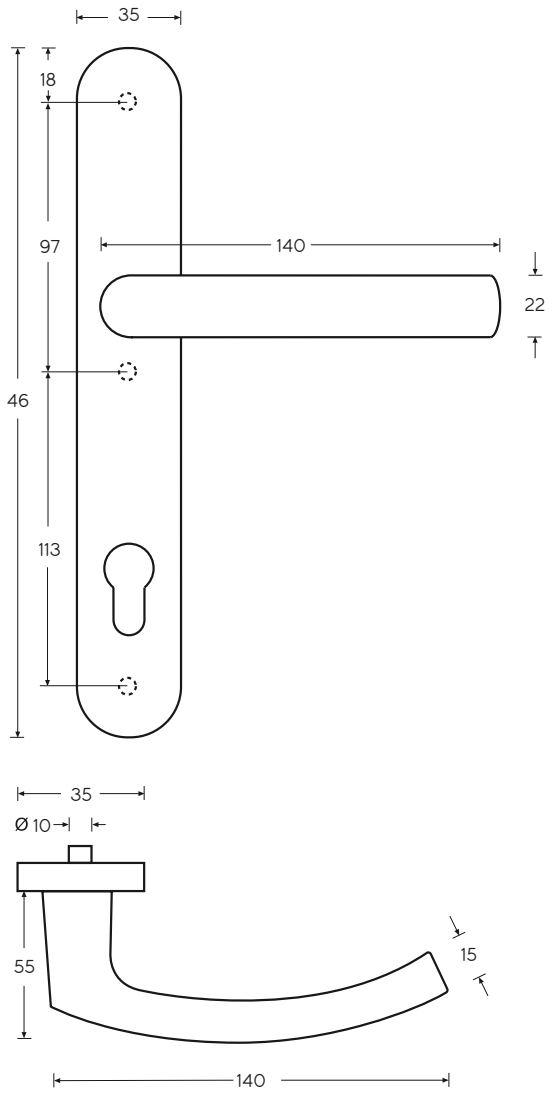
Offset Lever Handle



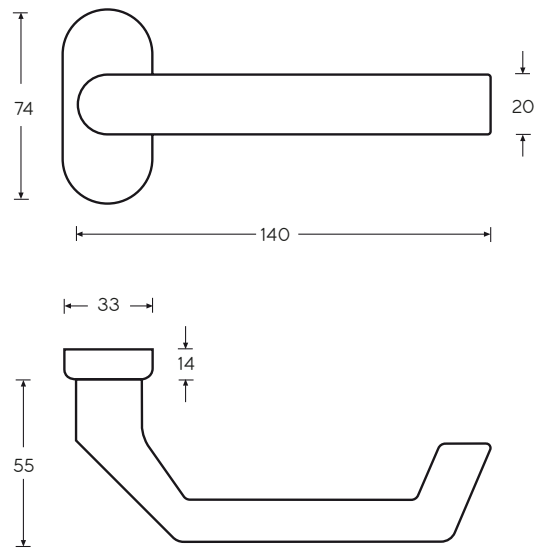
Available in 4 popular colours: white, chrome, black and gold.

Handles

Hafi Handle 253/ 270



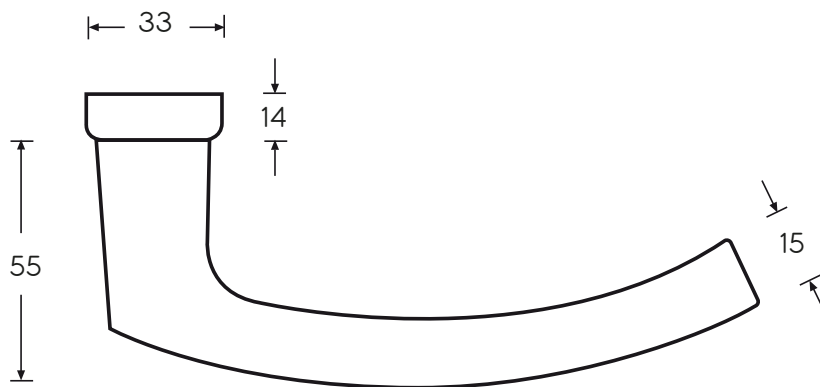
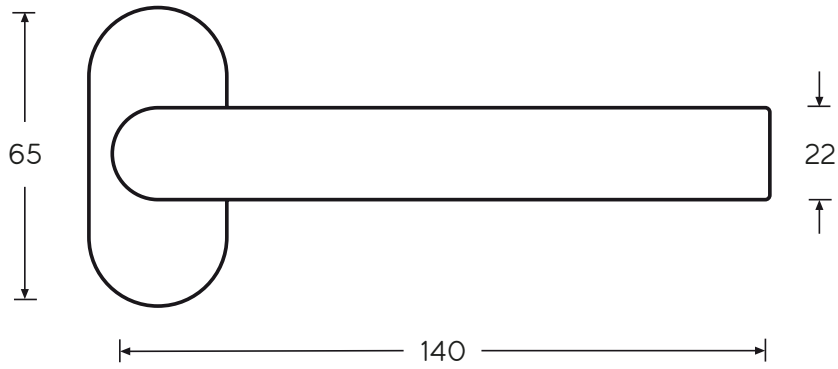
Hafi Handle 251/ 280



Hafi handles are available in a stainless steel finish or colour coded.

Handles

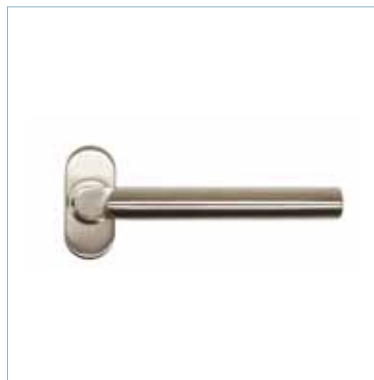
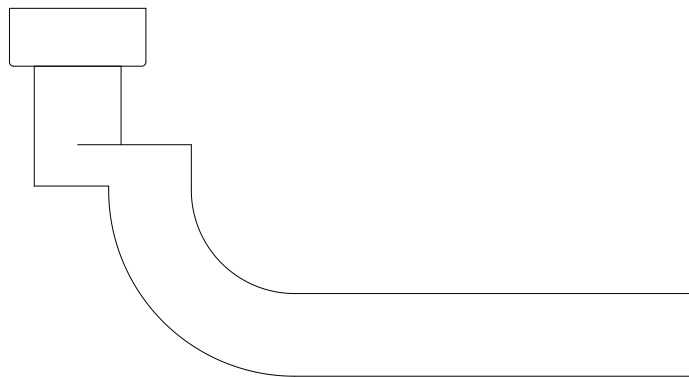
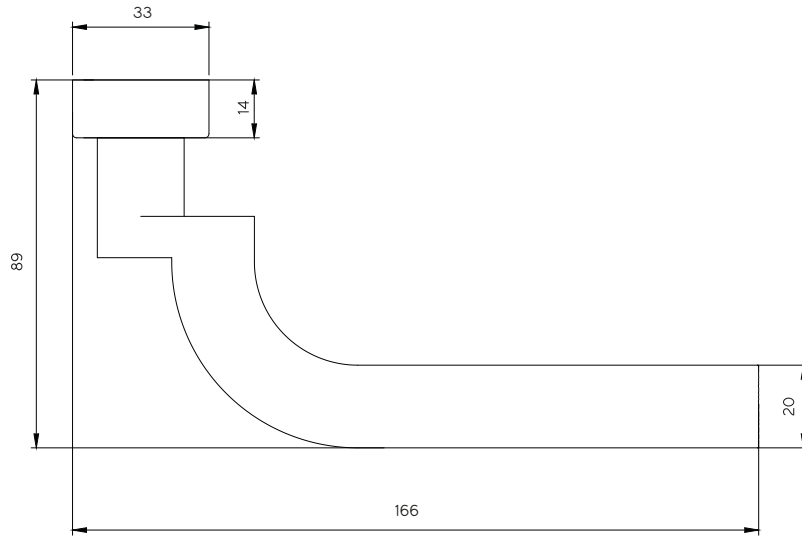
Hafi Handle 253/ 280



Hafi handles are available in a stainless steel finish or colour coded.

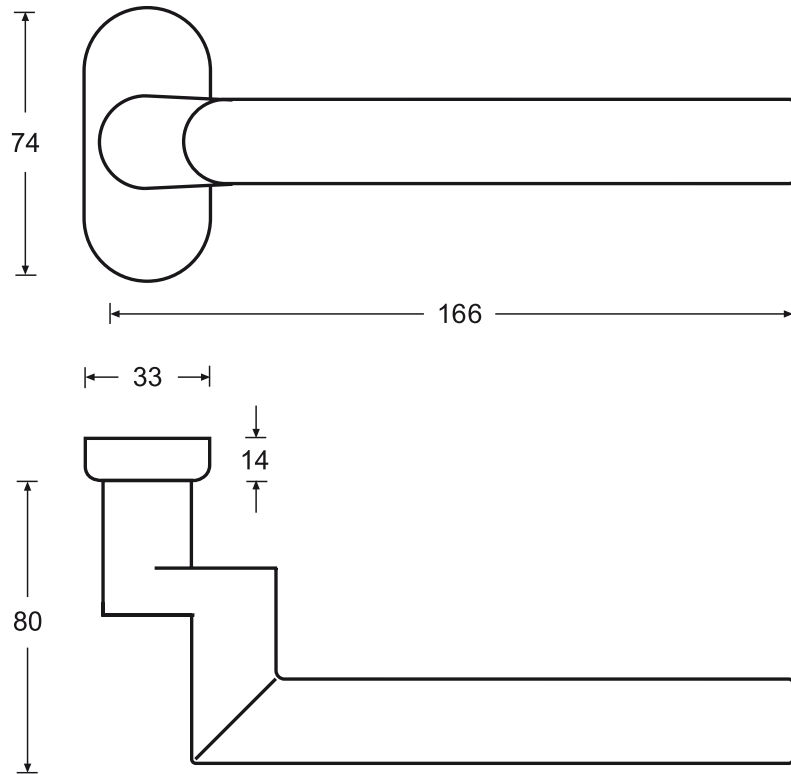
Handles

Hafi Handle 301/ 280



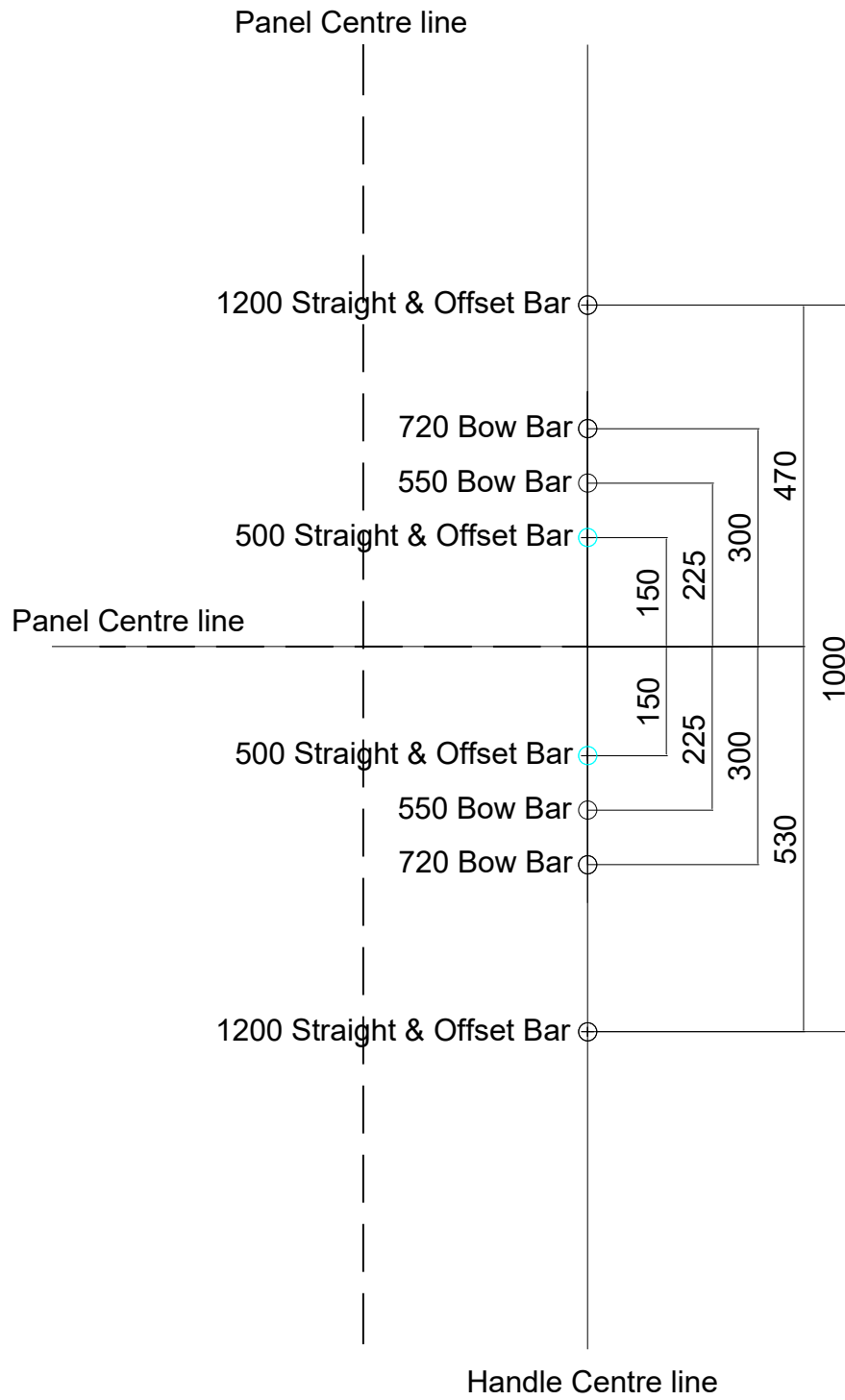
Hafi handles are available in a stainless steel finish or colour coded.

Hafi Handle 303/ 280



Hafi handles are available in a stainless steel finish or colour coded.

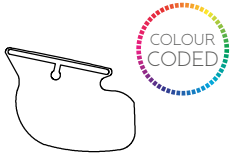
Handle positions



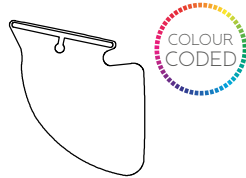
Gaskets

Door Gaskets

1. QL9135



2. QL9141

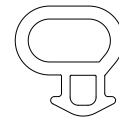


3. QL4636

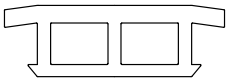
Black



4. B2018



5. Track Gap Gasket



6. Brush Strip 11mm



7. Brush Strip P 13mm



QL9135, QL9141 and QL9257 are available in the following colours: black, white, graphite grey, light grey, light oak, bronze and chestnut brown

Double Glazing Gaskets 28mm

1. E3434



2. W474



E3434, W474 and W488 are available in the following colours: black, white, late grey, anthracite grey, light grey, light oak, bronze and chestnut brown

Triple Glazing Gaskets 32mm

1. QL4627

Black



2. W488



Gaskets

Colour	Glazing Rebate E-Gaskets	Glazing Wedge W474 28mm and 32mm	Sash Side QL9135 (2.5m)	Sash Side QL9135 (4m)	Locking Rebate QL4636	Glazing Rebate B2018	Sash Top and Bottom QL9141	Glazing Rebate QL4627
Black	G00004	G00040	G00009	G00016	G00008	G00001	G00022	G00007
White	G00005	G00041	G00015	G00021		G00002	G00028	
Graphite Grey	G00066	G00061	G00012	G00018		G00064	G00025	
Anthracite Grey			G00100	G00111				
Light Oak	G00067	G00076	G00013	G00019		G00065	G00026	
Light Grey	G00071	G00075				G00089		
Bronze	G00072	G00077	G00010	G00052		G00090	G00023	
Chestnut Brown	G00073	G00078	G00011	G00017		G00091	G00024	
Slate Grey	G00074	G00068				G00092		
Silver Grey			G00014	G00020			G00027	

Window Glazing Gaskets

AF032

B2018

E3434

OG03

W474

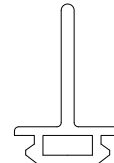
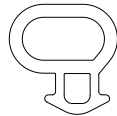
Closing Gasket

Glazing Rebate

Glazing Rebate

Central Gasket

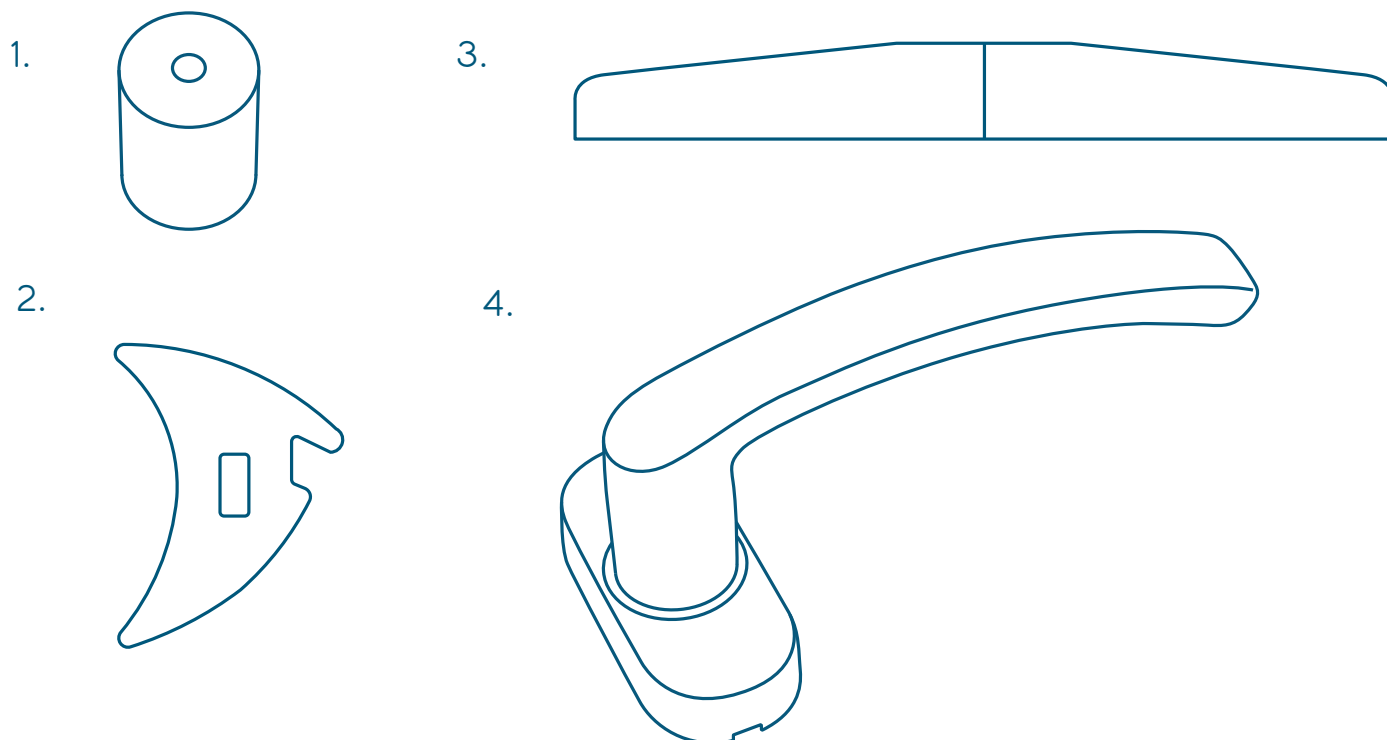
Glazing Wedge



Colour	AF032 (Closing Gasket)	B2018 (Glazing Rebate)	E3434 (Glazing Rebate)	W474 (Glazing Wedge)	OG03 (Central Gasket)
Black	G00114	G00001	G00004	G00040	G00113
White		G00002	G00005	G00041	
Graphite Grey		G00064	G00066		
Light Oak		G00065	G00067	G00076	
Light Grey		G00089	G00071	G00075	
Bronze		G00090	G00072	G00077	
Chestnut Brown		G00091	G00073	G00078	
7015		G00092	G00074	G00068	
7016				G00061	

Residential Door Installation Guide

Components box



Contents

- ▶ 1. Fixing plugs
- ▶ 2. Wedge gasket
- ▶ 3. Cill end cap
- ▶ 4. Handle as specified

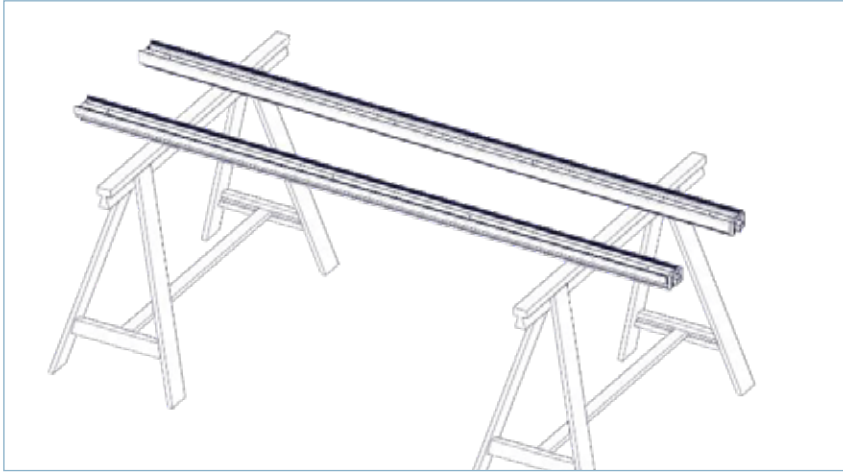
1. Tools list

1.1. Fixing kit to install up to 8 door leaves, including a selection of packers 1mm-6mm, 35 4mm x 40mm glazing packers and screws.

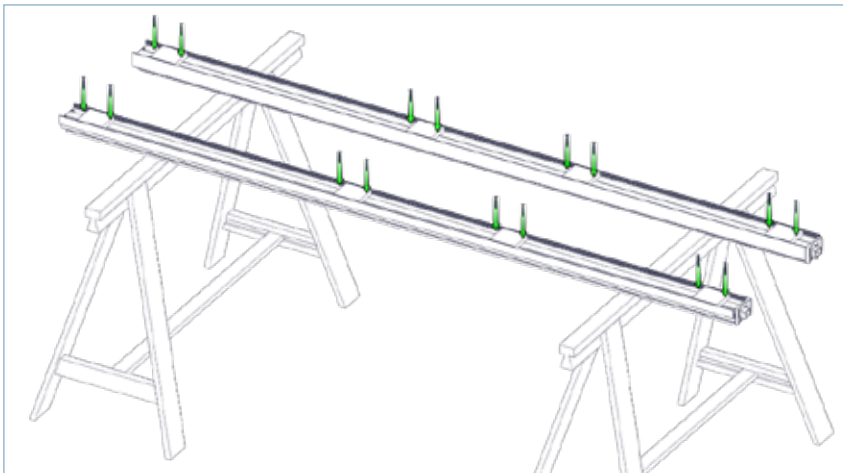
- ▶ 25mm self-tapping screws
- ▶ Appropriate fixings for lintel
- ▶ Mixed selection of frame packers
- ▶ 4mm glazing packers (min 32mm wide)
- ▶ Appropriate drill bits for drilling lintel and jamb packers
- ▶ 13mm HSS or blade type drill bit
- ▶ Long series 3.5mm drill bit
- ▶ SDS drill with appropriate size drill bits for your preferred frame fixings
- ▶ Battery screwdriver
- ▶ Saw for cutting aluminium cill
- ▶ Long straight edge
- ▶ Long spirit level
- ▶ String line
- ▶ Measuring staff
- ▶ Phillips 2, Pozi 2 and large flat head screw drivers
- ▶ 4mm Allen key
- ▶ 2.5mm Allen key
- ▶ 3mm Allen key
- ▶ Flat bar
- ▶ Plastic/ rubber hammer
- ▶ Glazing paddle
- ▶ Gasket sheers
- ▶ Foam gun
- ▶ Sealant and gun
- ▶ T30 torx key / small 1/4 ratchet with T30 bit

Note

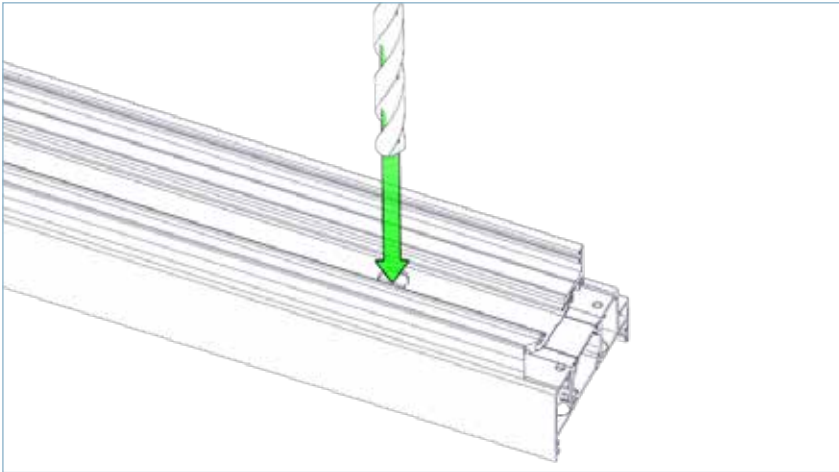
If it is necessary to pack the outer frame by more than 6mm, a solid plastic or hardwood packer should be used.



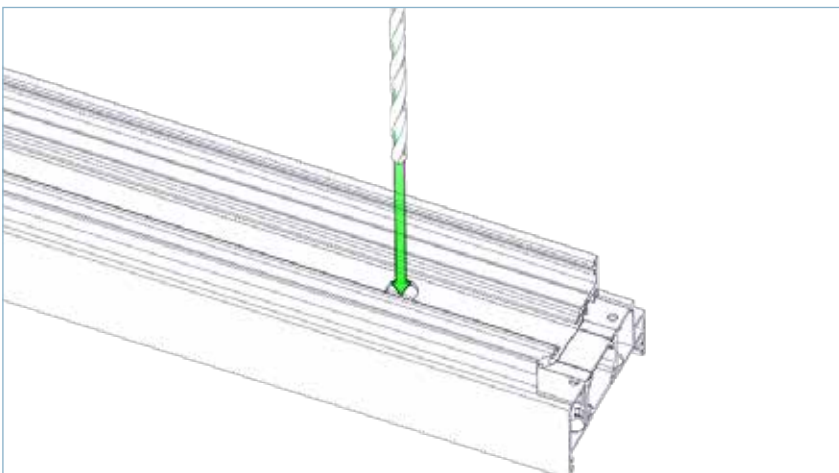
1. Lay jambs on a flat surface, preferably a pair of trestles.



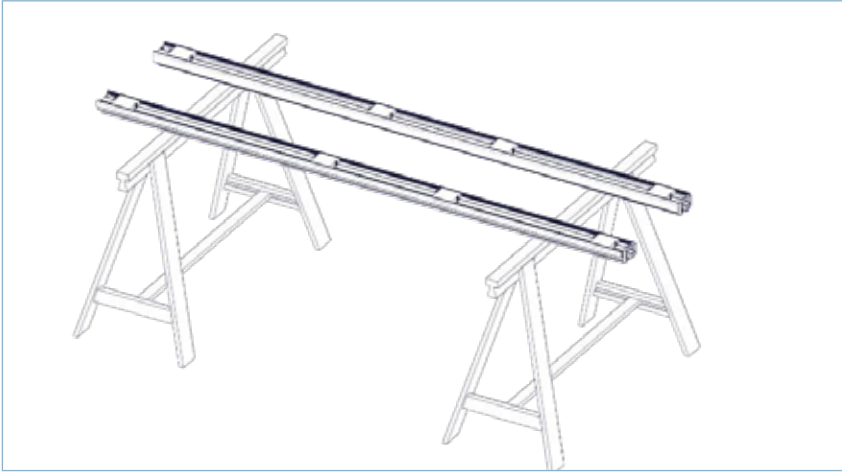
2. Secure the jamb packers using a 25mm self-tapping screw either side. Ensure each of the jamb packers are positioned and secured correctly. Position fixings within 150mm of the corner. Centre fixings should be spaced 600mm apart thereafter.



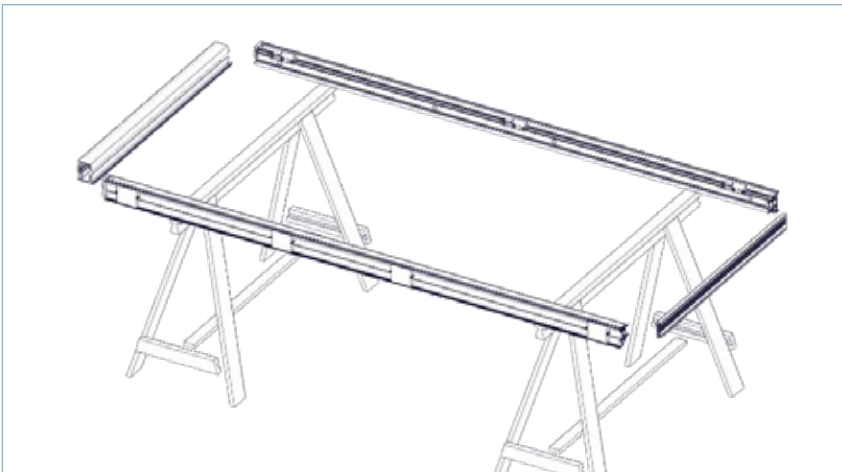
3. From the bottom of the jamb, measure and then drill fixing holes through the first layer of polyamide using a 13mm drill bit. Make sure the hole aligns with the centre of each jamb packer.



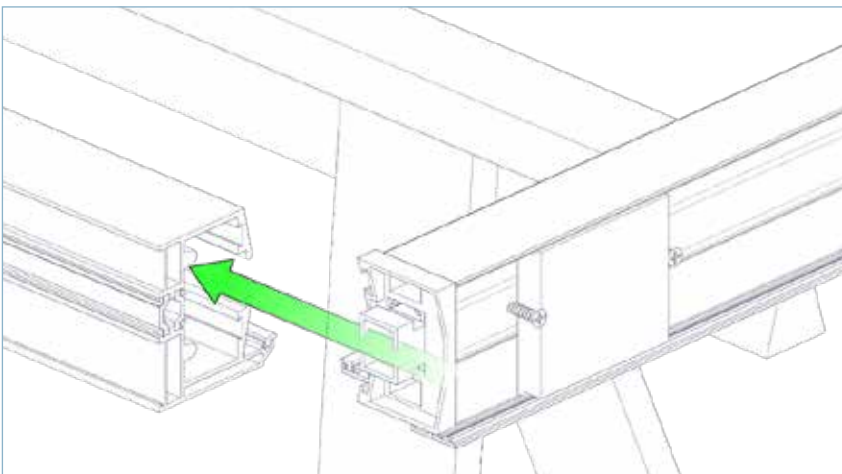
4. Then, through the 13mm hole, drill an 8mm hole through the remaining jamb and jamb packer.



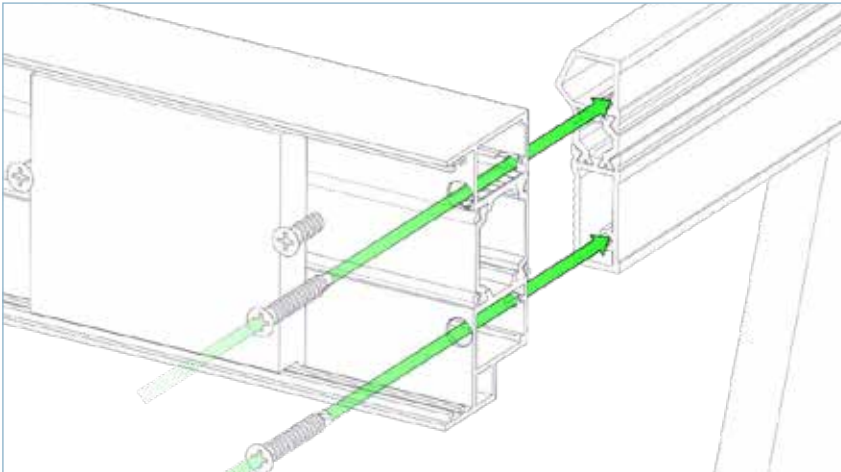
5. The jambs are now prepped and ready for assembly.



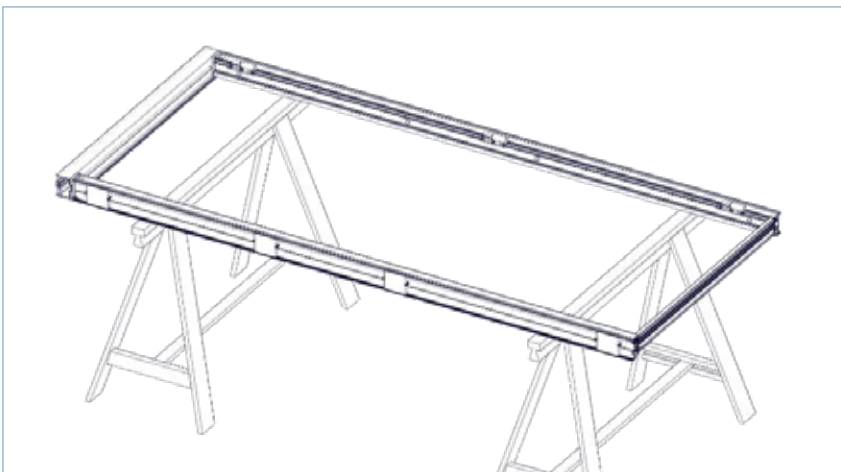
6. Still using the trestles, you now need to assemble the outer frame.



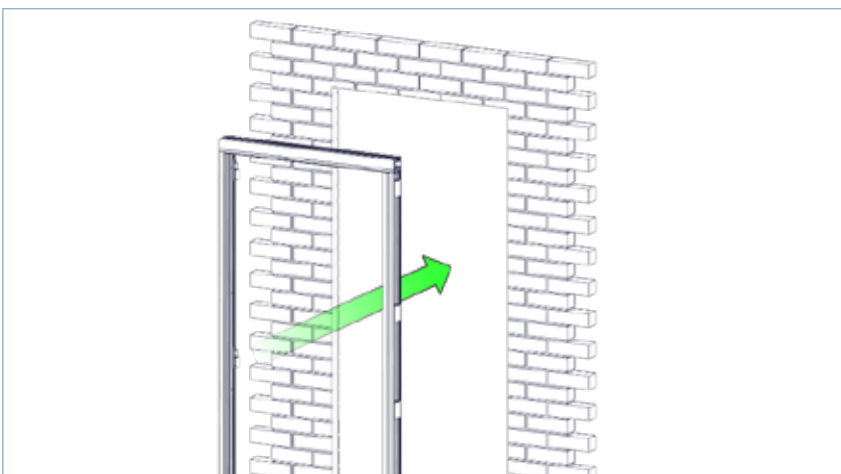
7. Starting with the top, slide the two jambs into the top track.



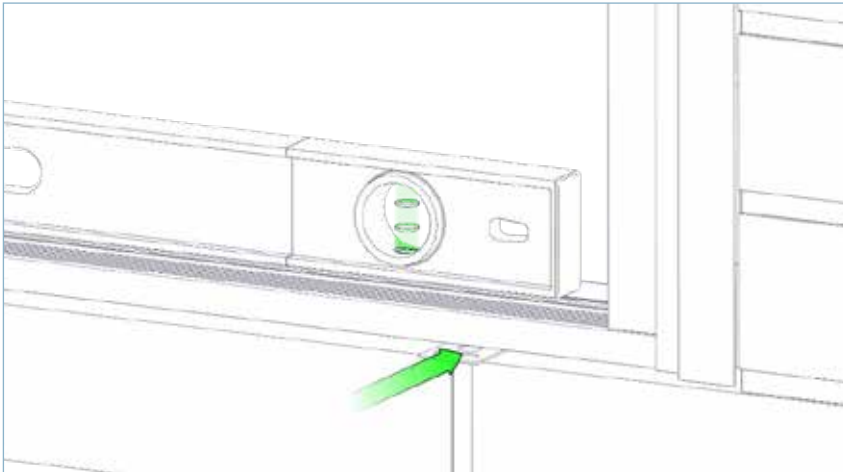
8. For the mobility threshold, secure the jambs to the threshold using two of the supplied 3.5mm screws. Seal the mating faces with silicone. If it is a standard threshold, repeat step 7.



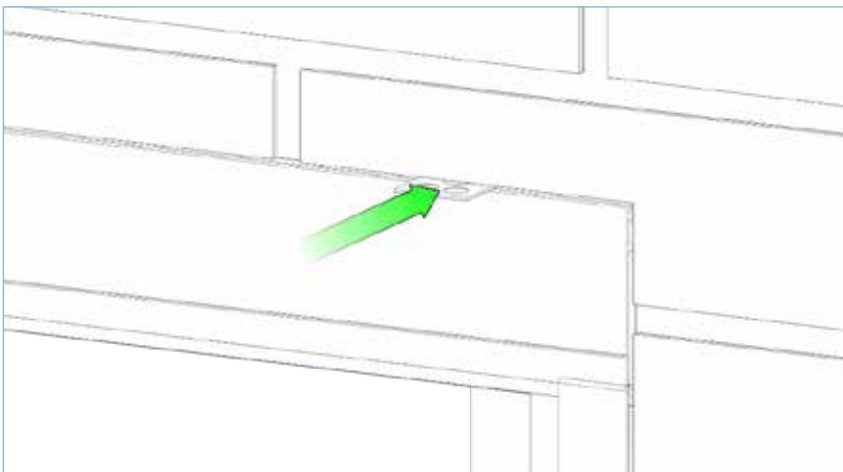
9. The outer frame should now be assembled and secured together.



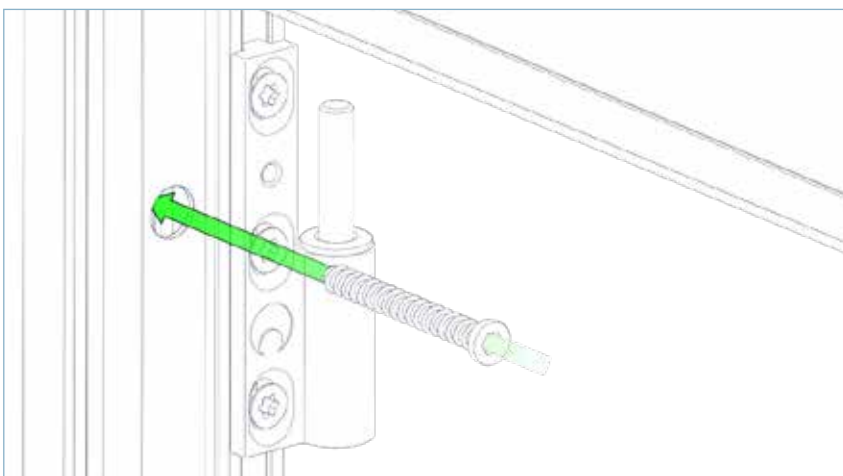
10. Position the outer frame into the opening, being careful not to scratch any of the profile



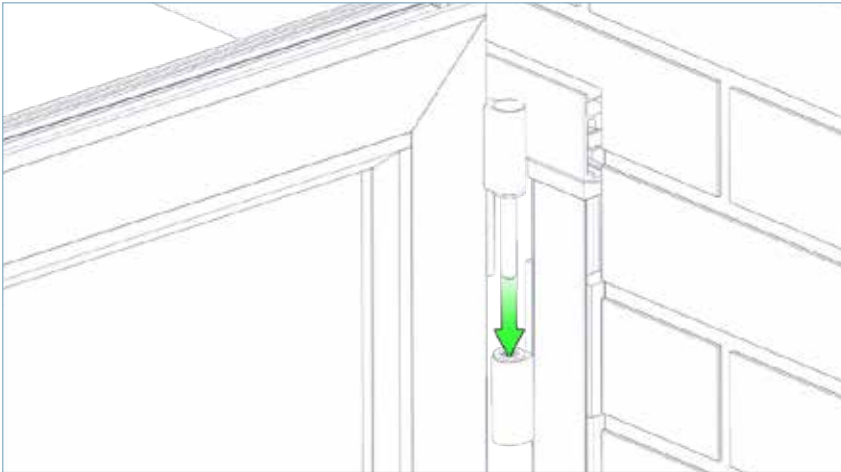
11. First, using frame packers, ensure the threshold is perfectly level.



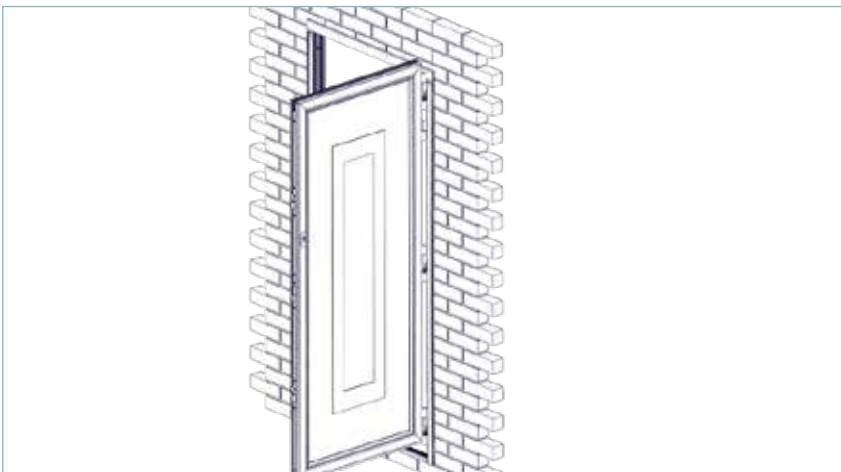
12. When level, pack out the top of the frame using the appropriate packers. Ensure this is tight but not over compressing the jamb to track connectors.



13. Starting with the hinge side, pack out the jamb so it is perfectly level and secure through the fixing holes prepared earlier using appropriate fixings.



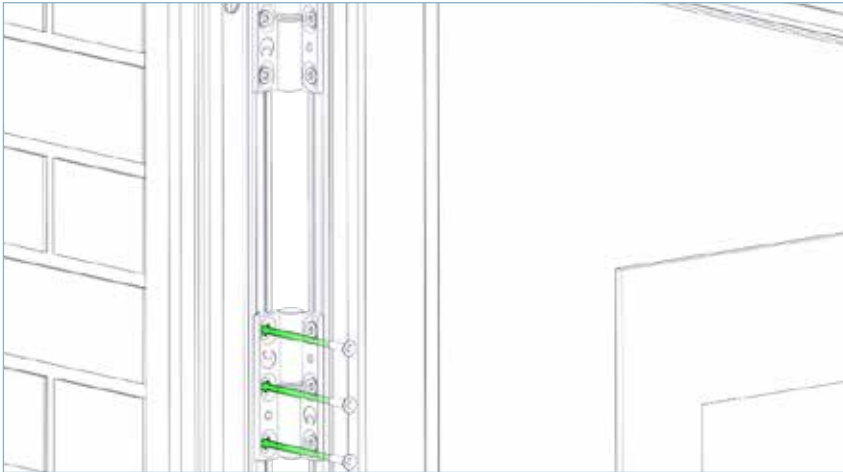
14. Once the jambs are securely fixed into place, carefully unwrap the sash and lift onto the jamb using the hinge pins to locate it.



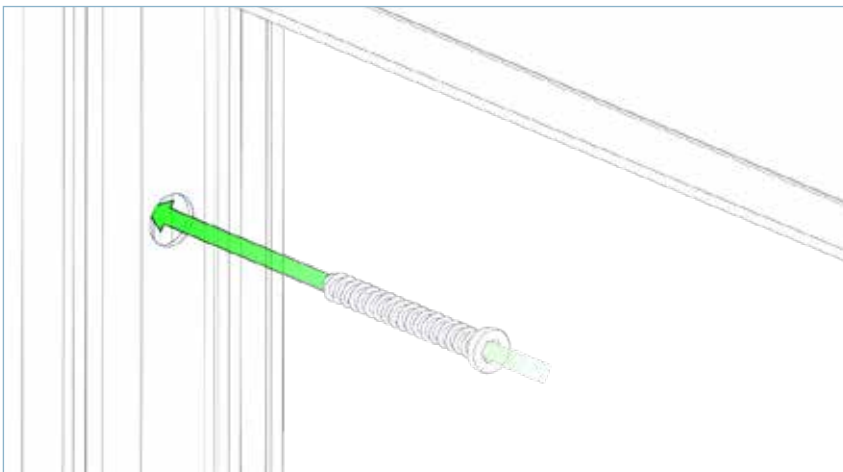
15. Check all the hinge pins are correctly engaged in the hinges.



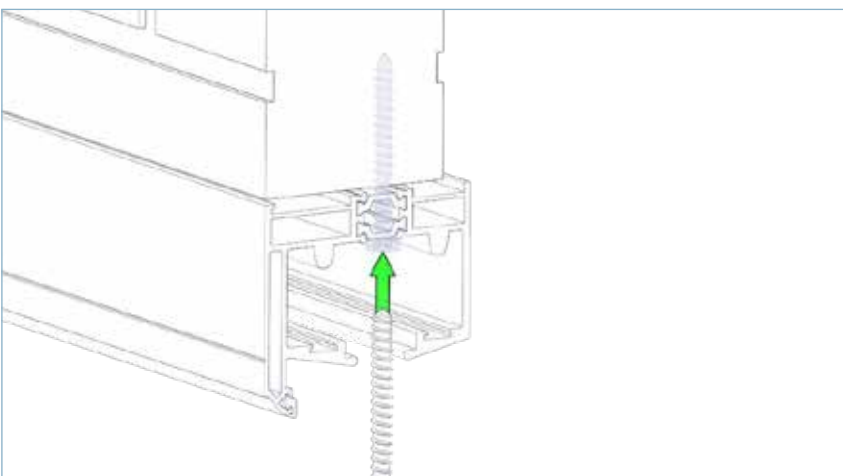
16. Find the separately provided hinge leaf and slide onto the exposed hinge pin.



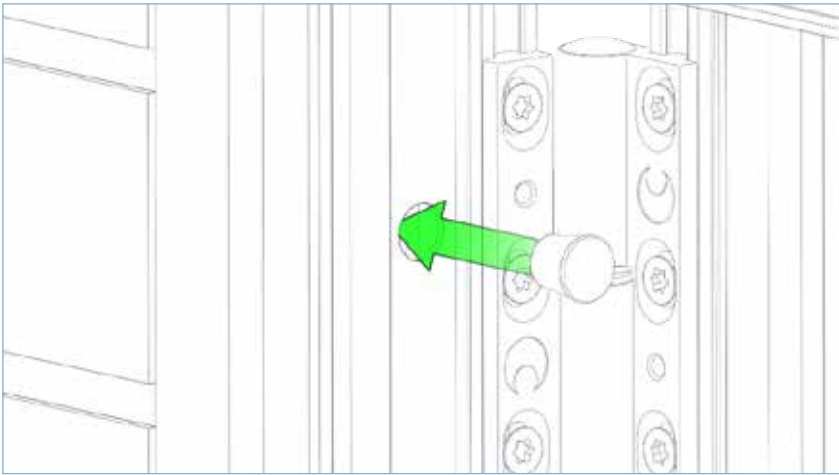
17. Carefully secure the hinge leaf to the jamb using the provided screws.



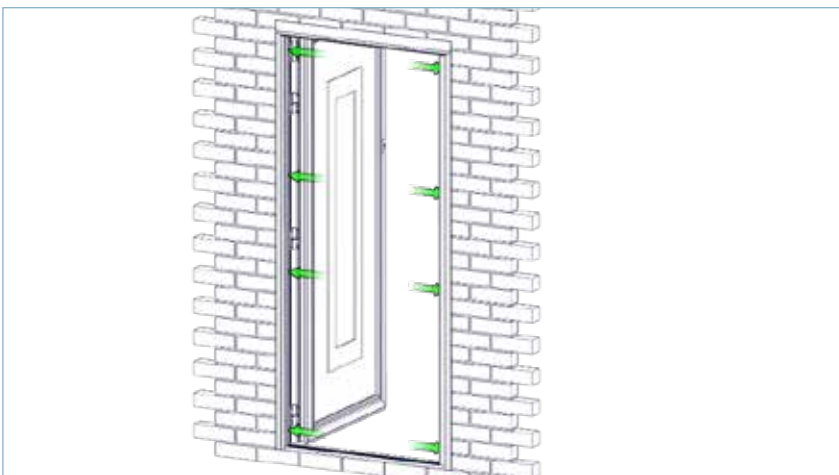
18. Using the door as a gauge, ensure the locking jamb runs parallel to the edge of the door with the correct spacing (approximately 4mm). Once this is achieved, pack out the jamb and secure using appropriate fixings.



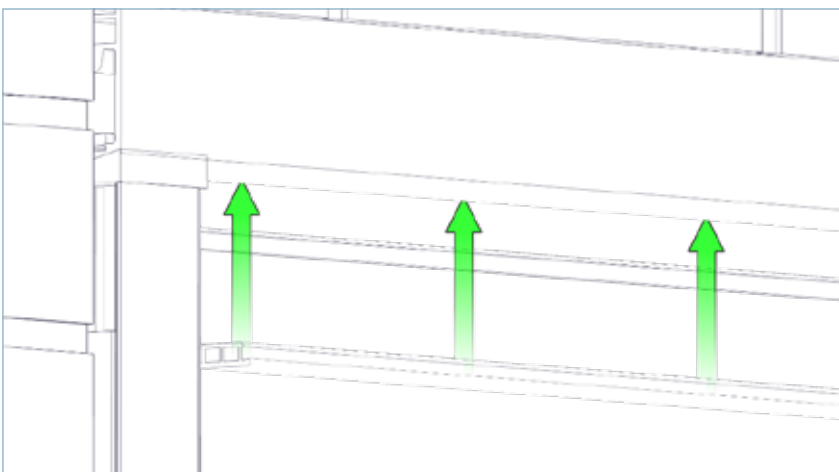
19. Using appropriate fixings, secure the top track through the polyamides. Fixings should be positioned approximately 150mm in from each jamb and no more than 600mm thereafter.



20. Insert the fixing plugs to cover up the fixing holes in the jambs.

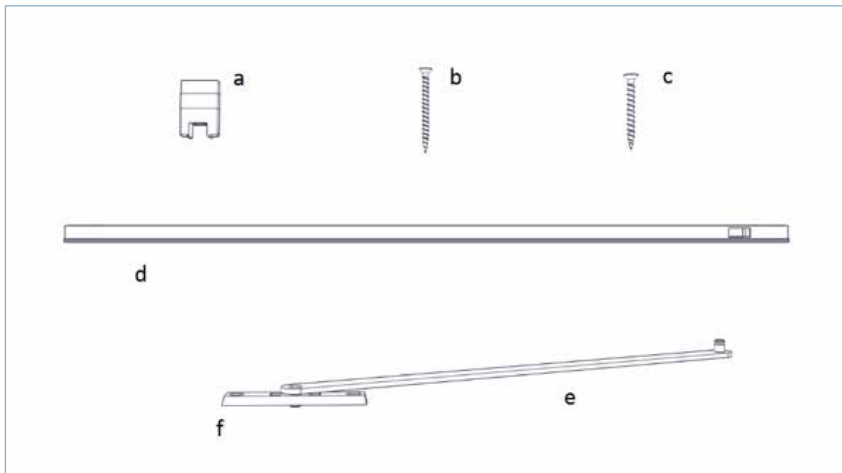


21. Ensure they are all covered.



22. Insert the track gap gasket into the bottom edge of the track.

Door Restrictor Installation Guide

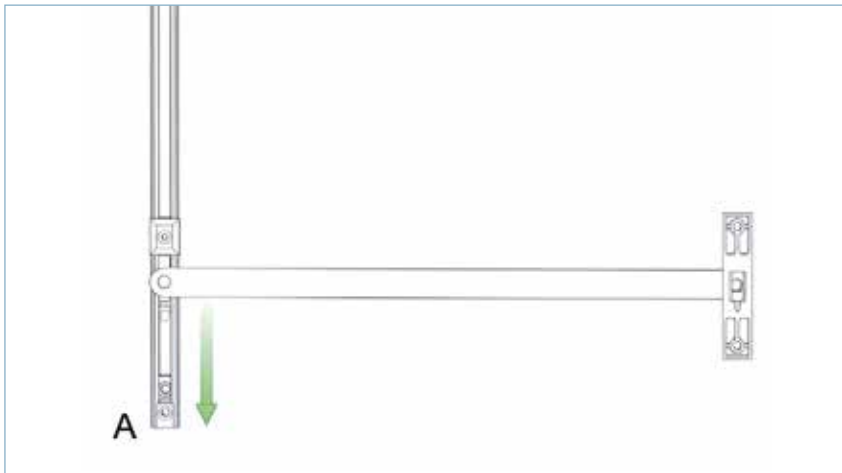


1. Check you have all of the parts

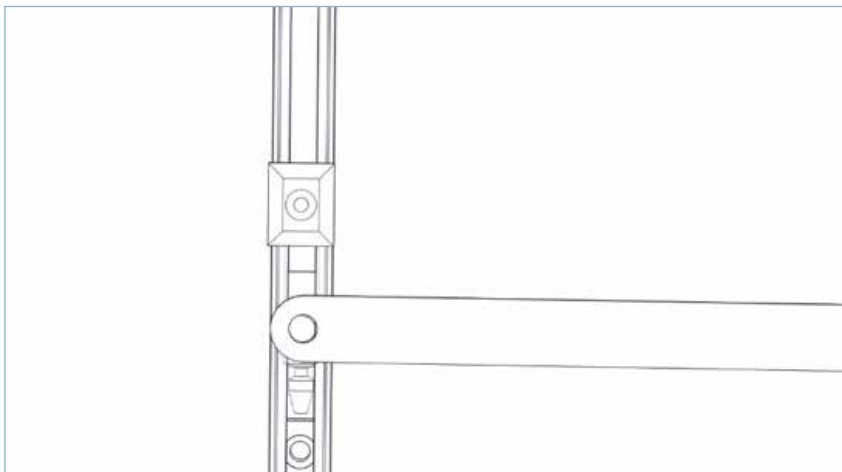
- a. Restrictor Block (x5)
- b. Screws (x4) 5.0 x 60mm
- c. Screws (x3) 5.0 x 45mm
- d. Slider Casing (x1)
- e. Restrictor Bar (x1)
- f. Sash Pivot (x1)

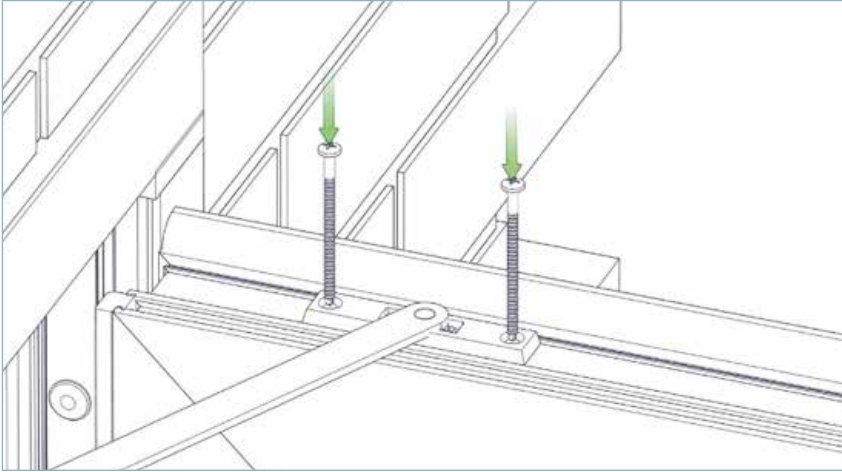


2. Prop the door open to the desired maximum angle.

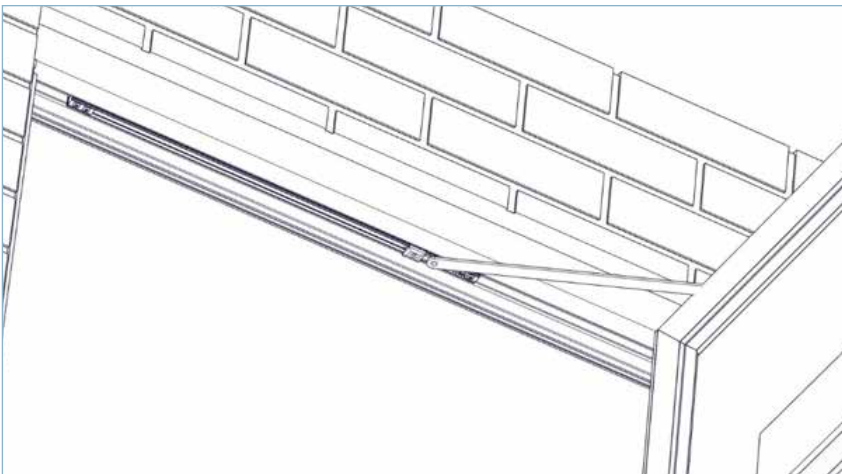


3. Ensure the slider stop is engaged by placing point (A) against a hard surface and pushing down on the restrictor arm. This will require some force and should result in a click. The restrictor arm should no longer be able to slide up and down the slider housing once this step has been completed.

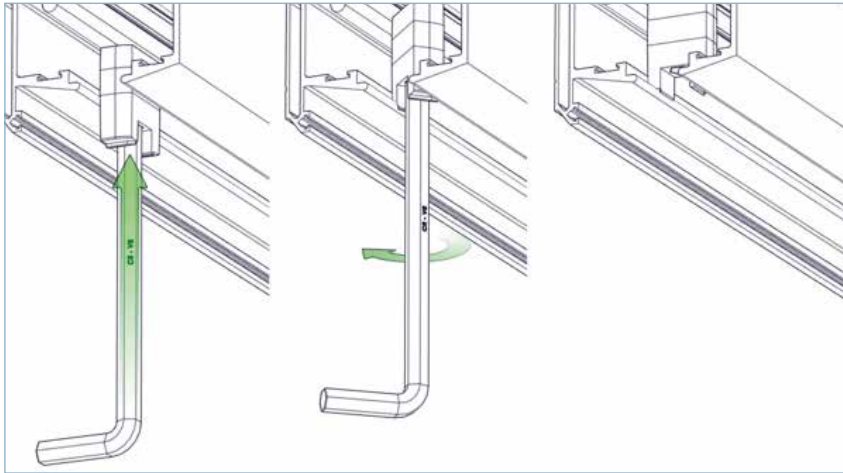




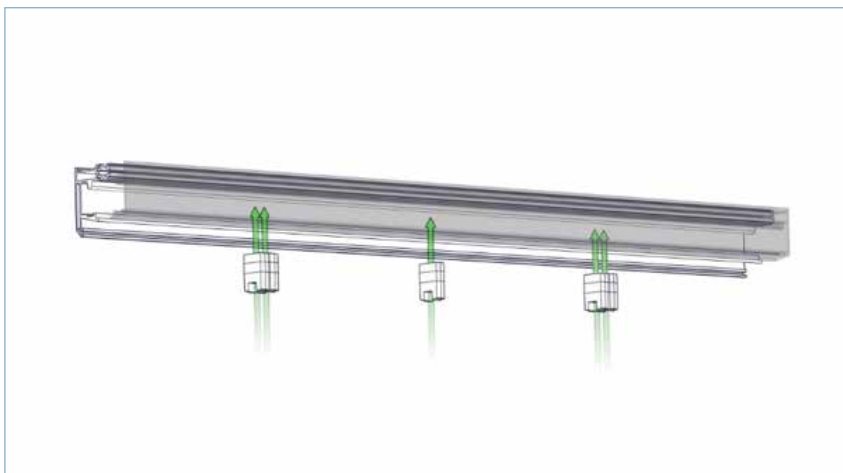
4. Fit the sash pivot to the top of the door, 60mm from the end of the black polyamide strip on the hinge side using two of the 5.0 x 45mm screws provided. The pivot should be fitted so that it butts up to the edge of the polyamide closest to inside of the door.

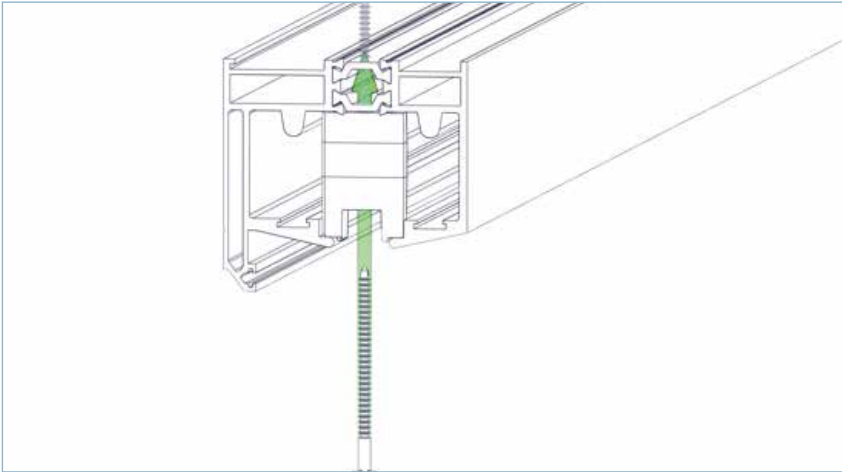


5. Insert the slider casing into the top track making sure it is still connected to the sash pivot, it should only fit in one position. Then, using a non-permanent method, mark the positions of the four screw holes in the slider casing, then move the slider casing out of the way.

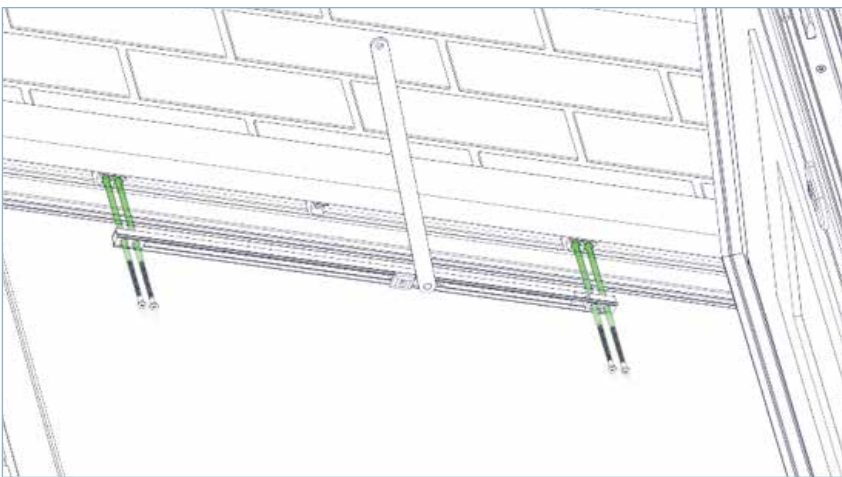


6. Insert four of the restrictor blocks positioned at the points you have marked on the top track. Do this by using an 8mm Allen key to insert the block into the track and twisting 90° clockwise to lock it in to place. The 5th restrictor block is then inserted half way between the other blocks.





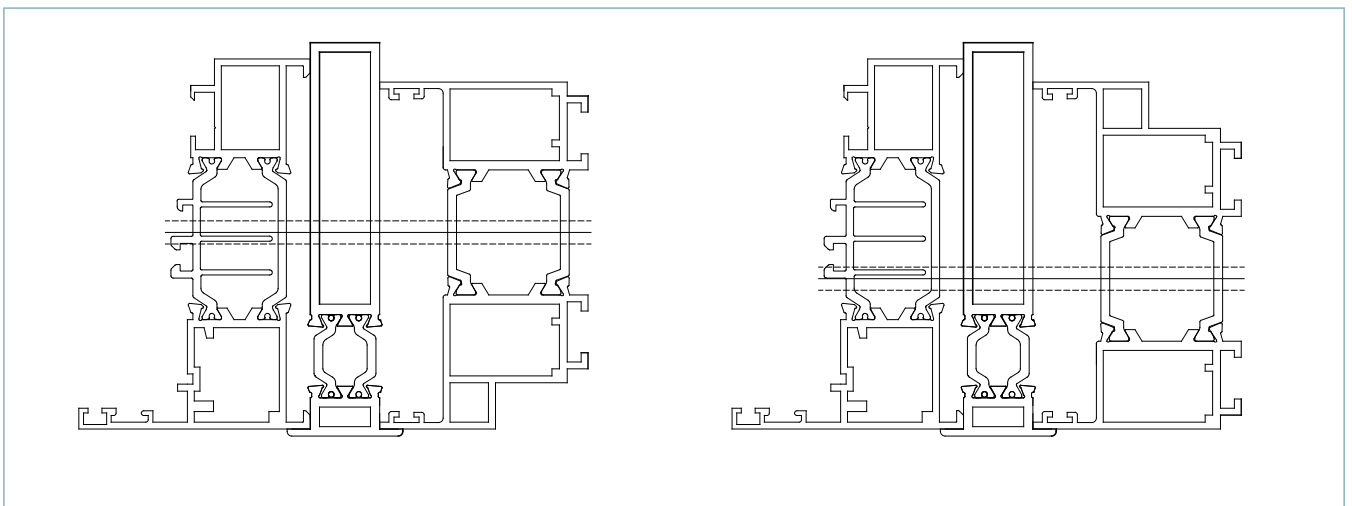
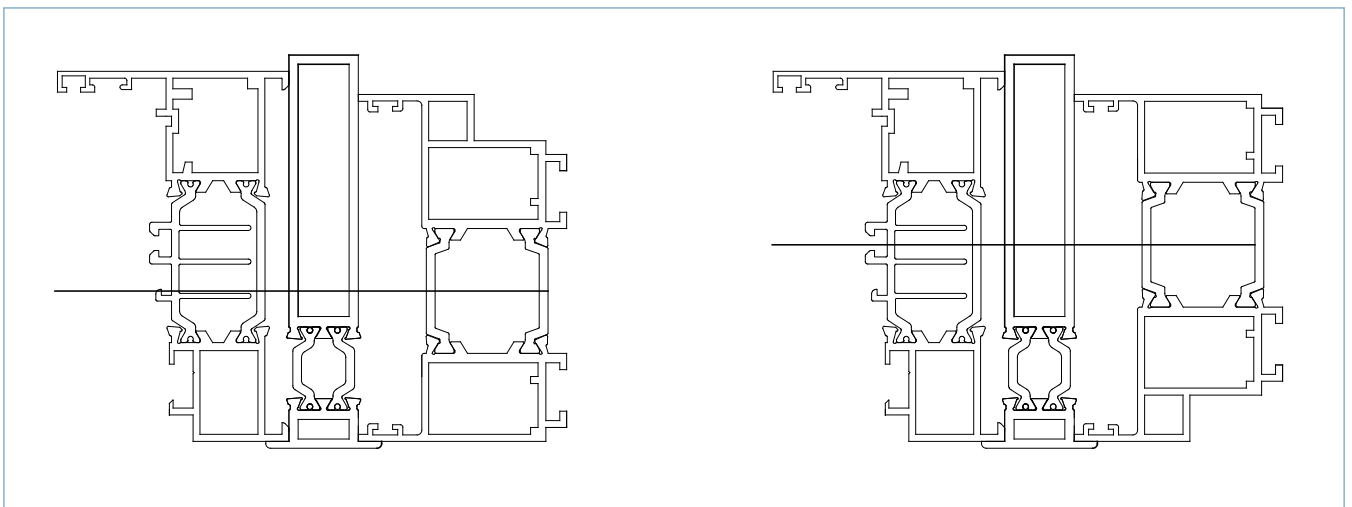
7. Using one of the 5.0 x 45mm screws, secure the middle restrictor block as shown.



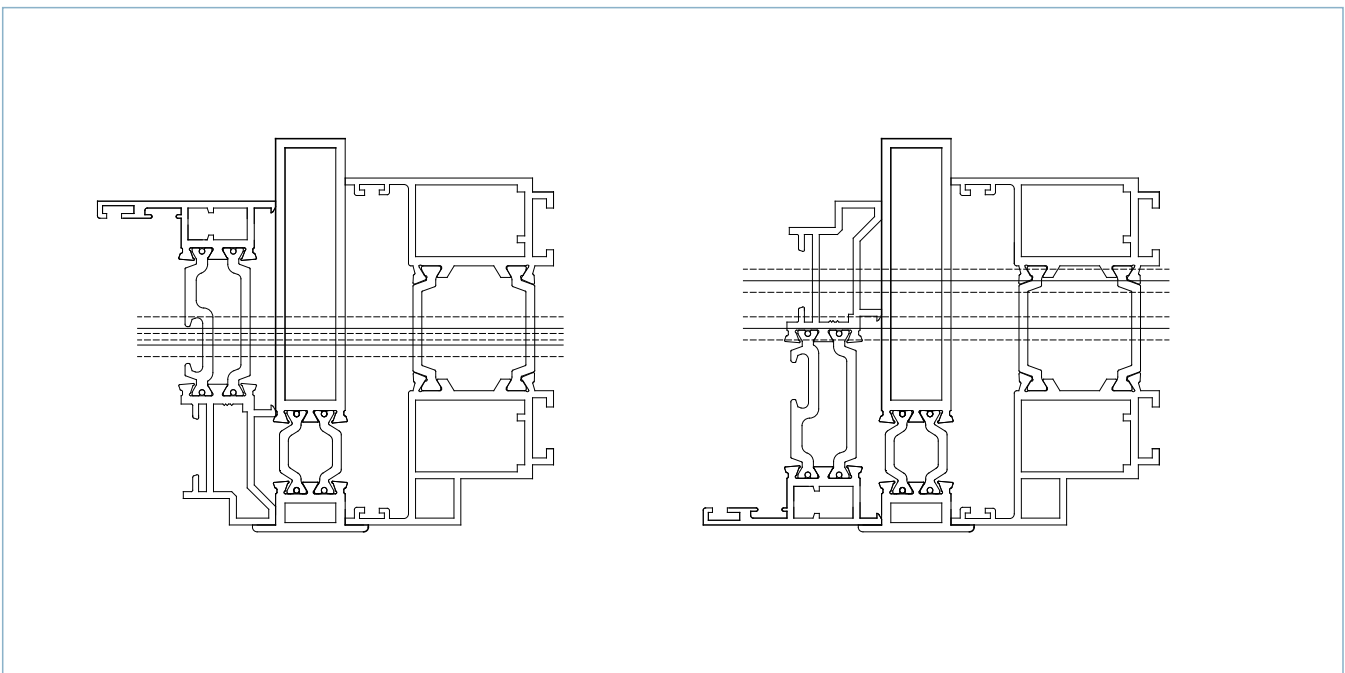
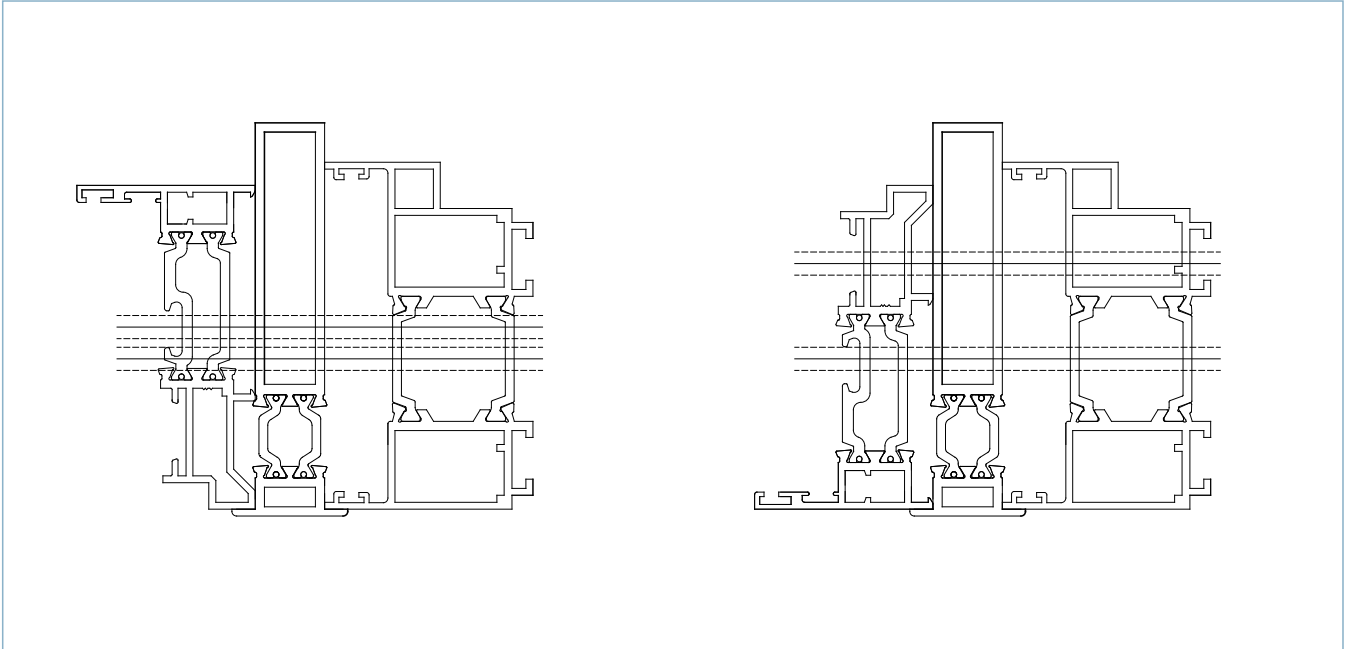
8. Now place the slider casing back into the top track at your marked position, and secure the last 4 restrictor blocks through the slider casing using the 5.0 x 60mm screws as shown. It may help to disconnect the sash pivot at this point for ease of installation. Once the screws have been fitted reconnect the sash pivot. Check the door for proper operation.

Door-to-Window Installation Guide

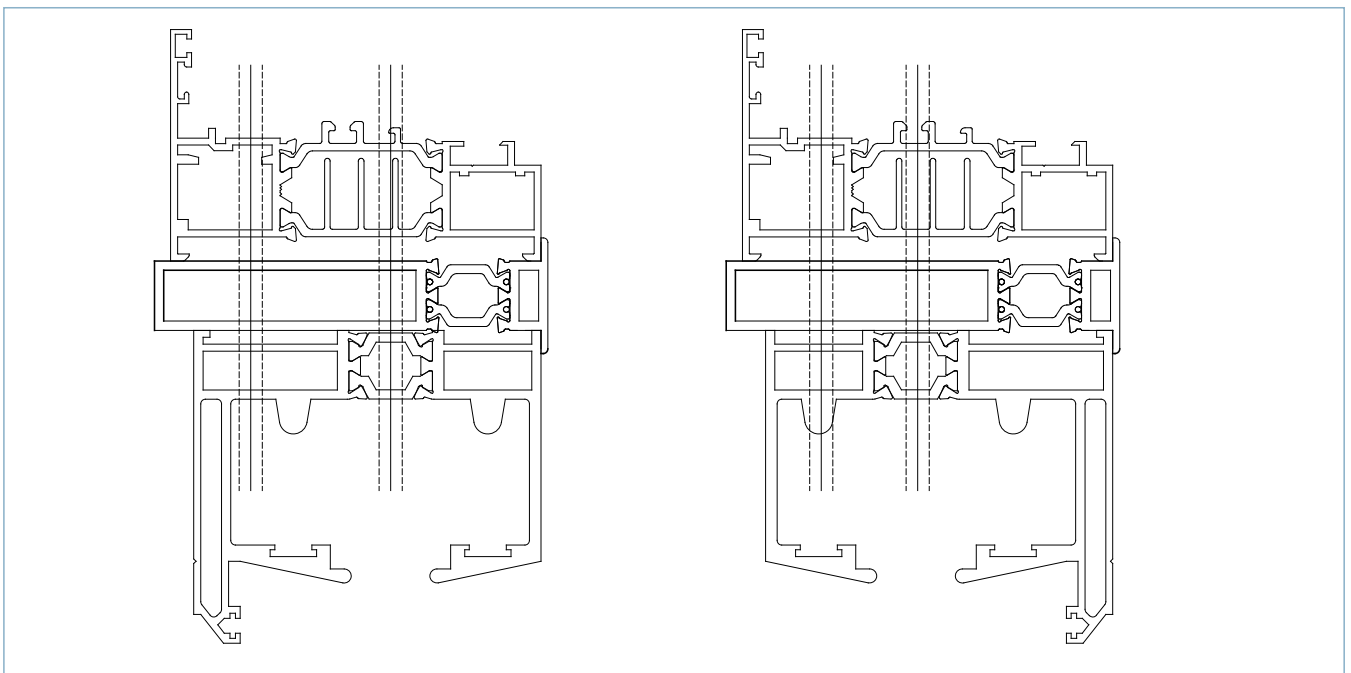
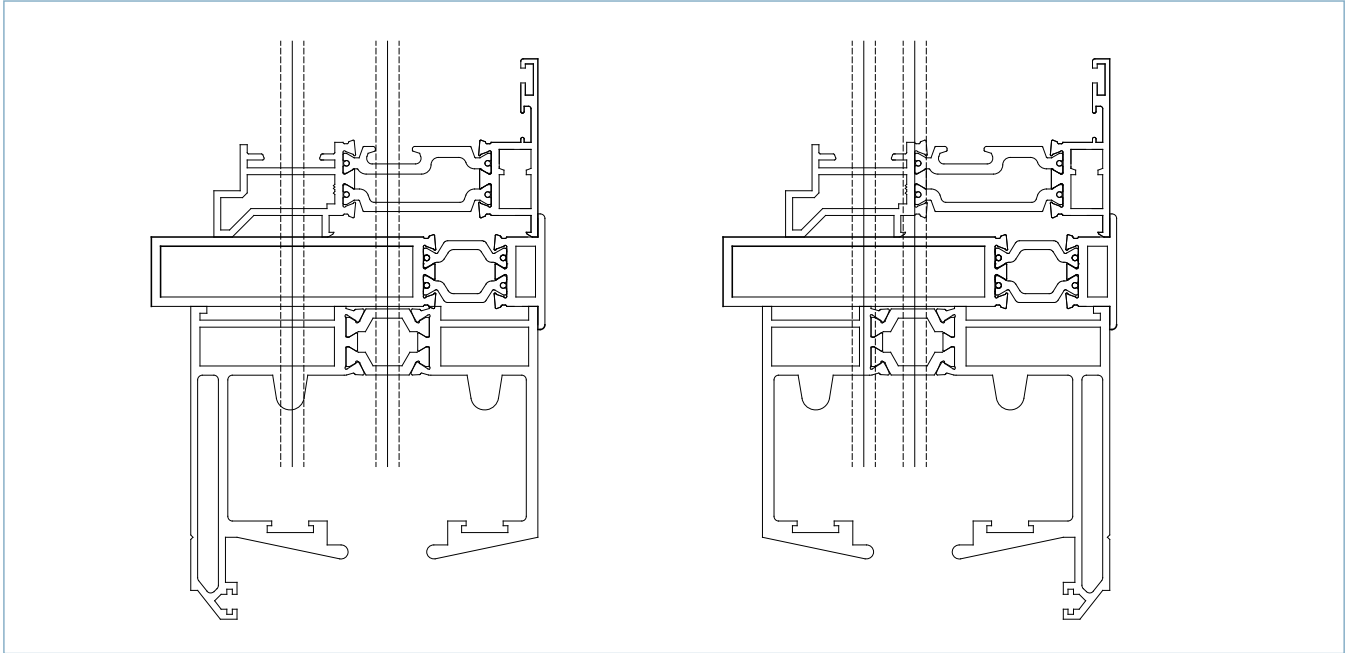
- ▶ The coupler is only to be used vertically. The maximum length of a coupler is 3000mm.
- ▶ Fixings are to be placed 150mm from the ends and at 400mm centres.
- ▶ Ensure you make the appropriate deductions to your products (a total of 15mm or 7.5mm on each product).



Door to OW-80 fixing positions



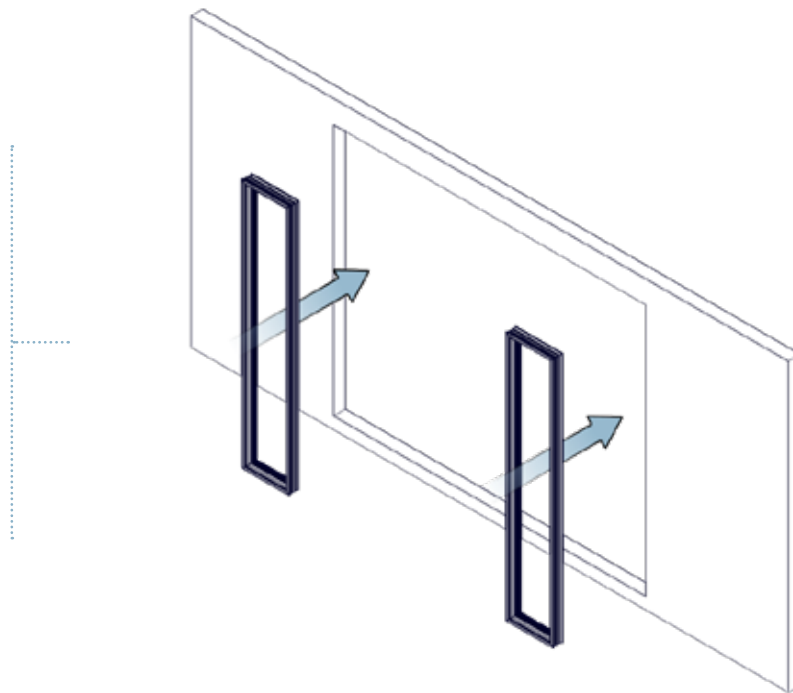
Door to OW-70 fixing positions



Window above door fixing positions

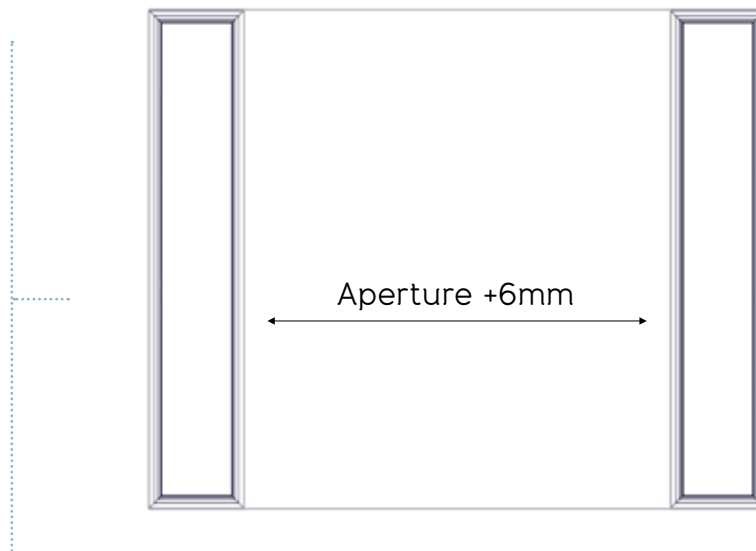
Window-to-Jamb Coupler Installation Guide

Install the windows
as described in the
Installation Guide



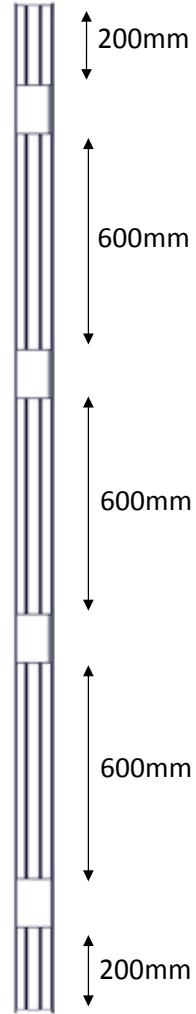
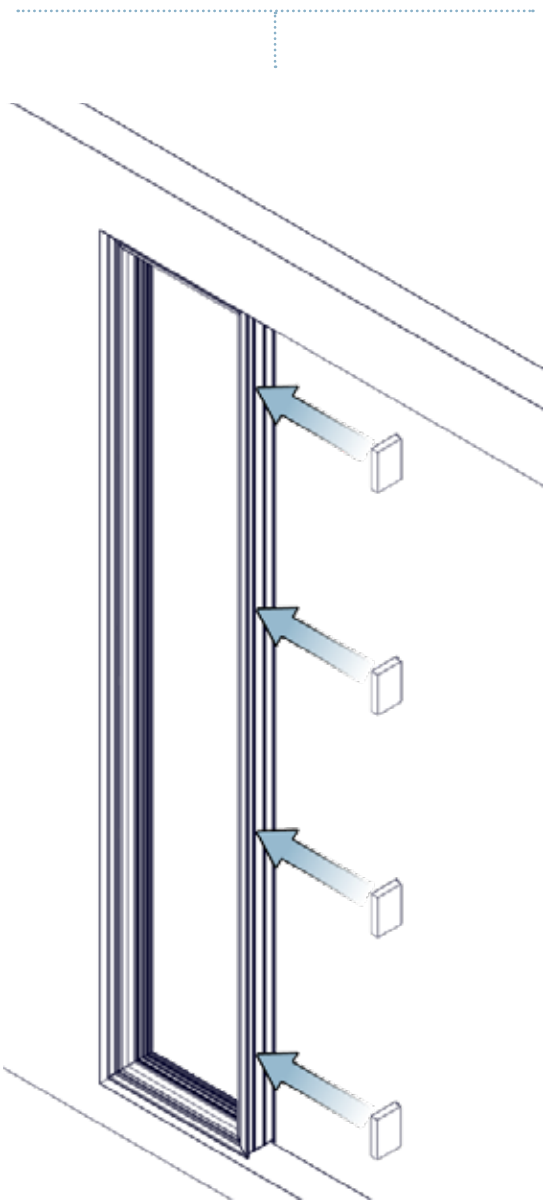
Ensure the remaining
aperture is 6mm wider
than the overall door
set width

Do not install the glass



Window-to-Jamb Coupler Installation Guide

Install the alignment block into the window frame

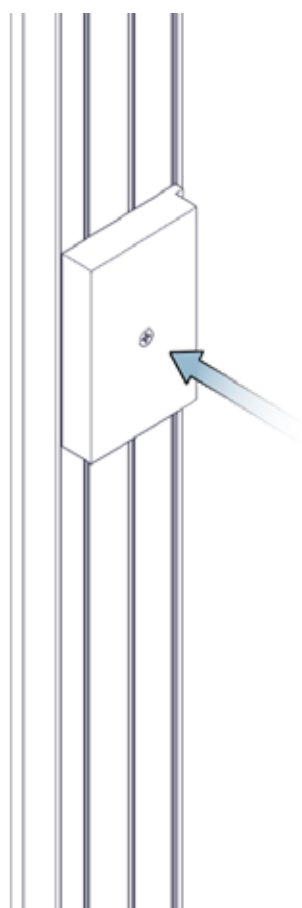
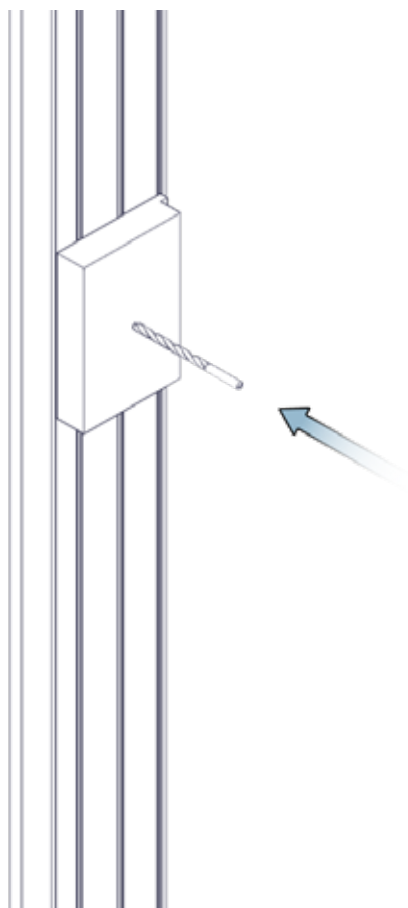


Leave 200mm from each end and evenly space the rest appropriately

Drill, countersink and fix alignment blocks

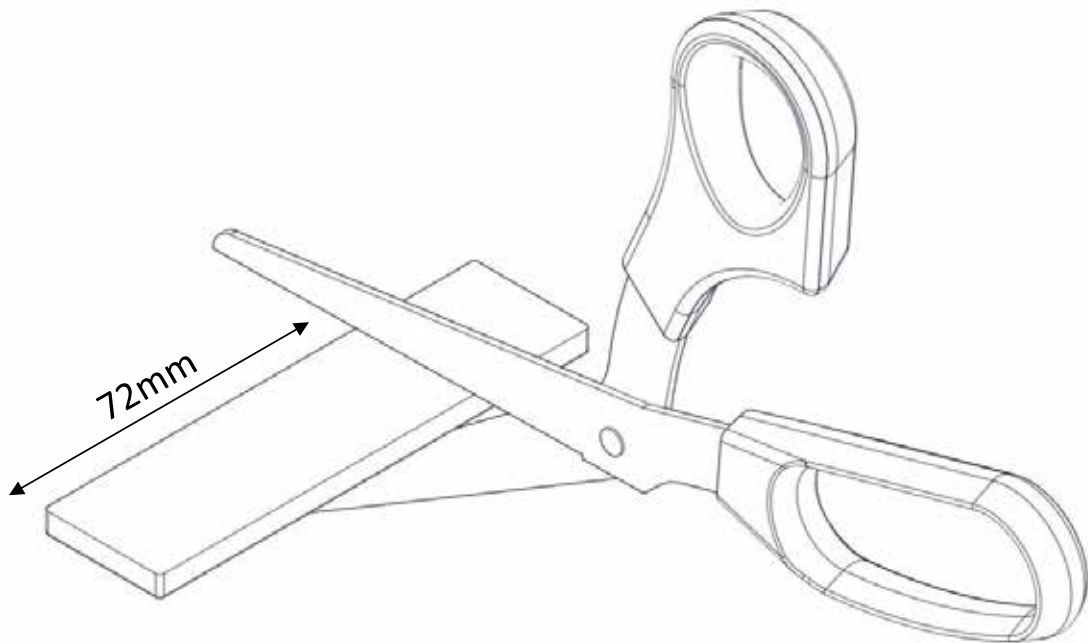


Ensure screw is flush with surface of the block

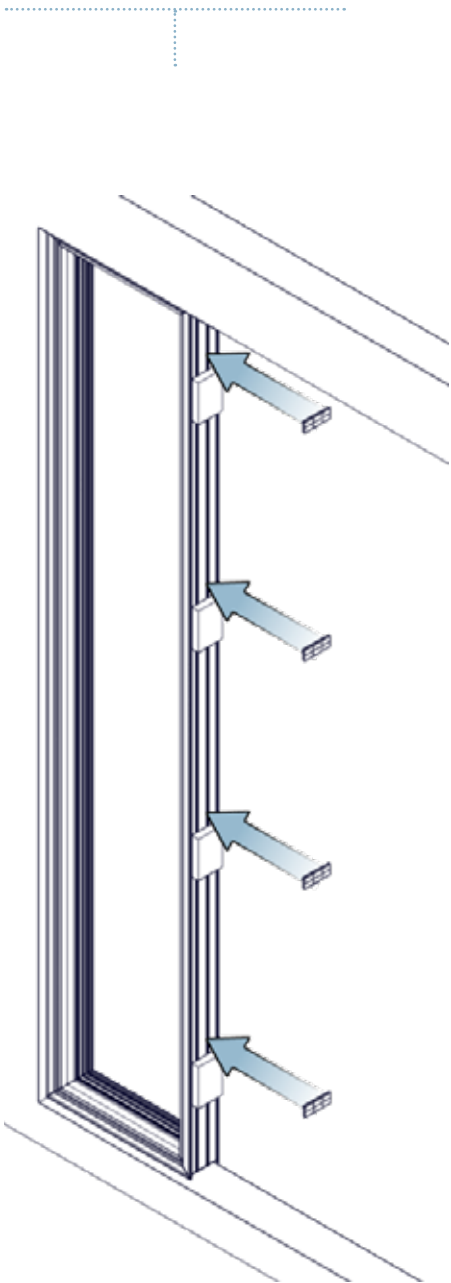


Window-to-Jamb Coupler Installation Guide

Cut down 5mm frame packers to 72mm (one for each jamb packer)



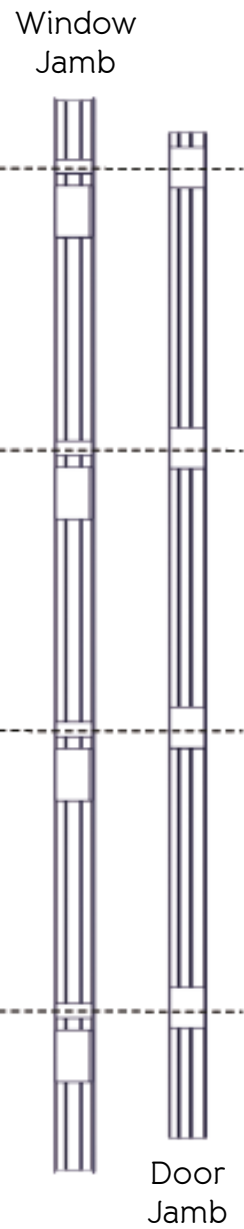
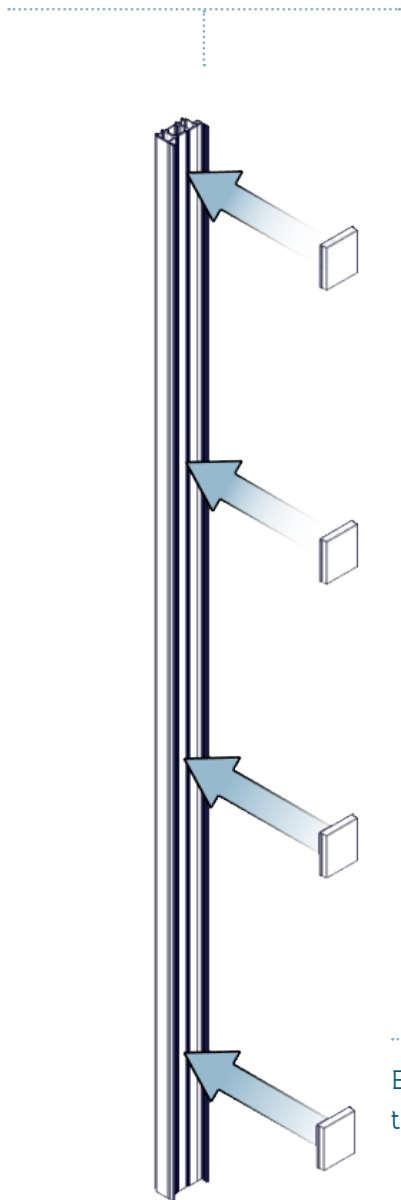
Install the glazing packers



Ensure packers are positioned next to the alignment blocks

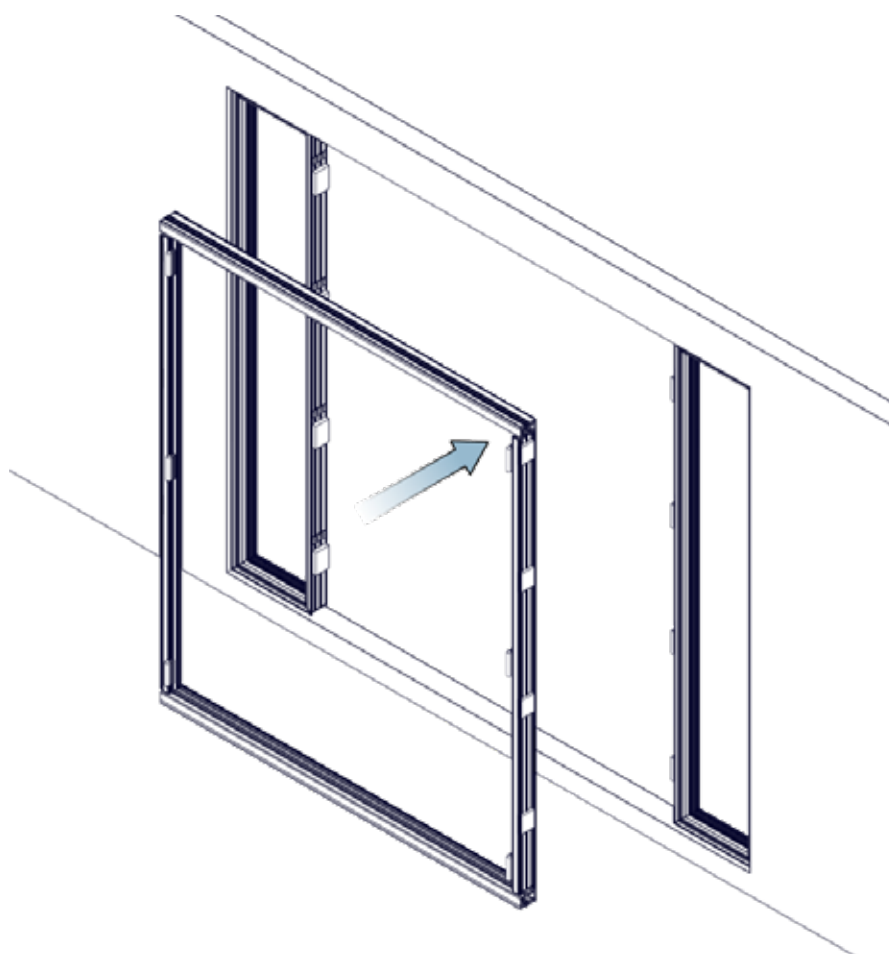
Window-to-Jamb Coupler Installation Guide

Re-position the jamb packers in the jamb



Ensure packers are spaced the same as the frame packers installed on the window frame and fix appropriately

Position the door frame
into the aperture and
pack/ clamp accordingly

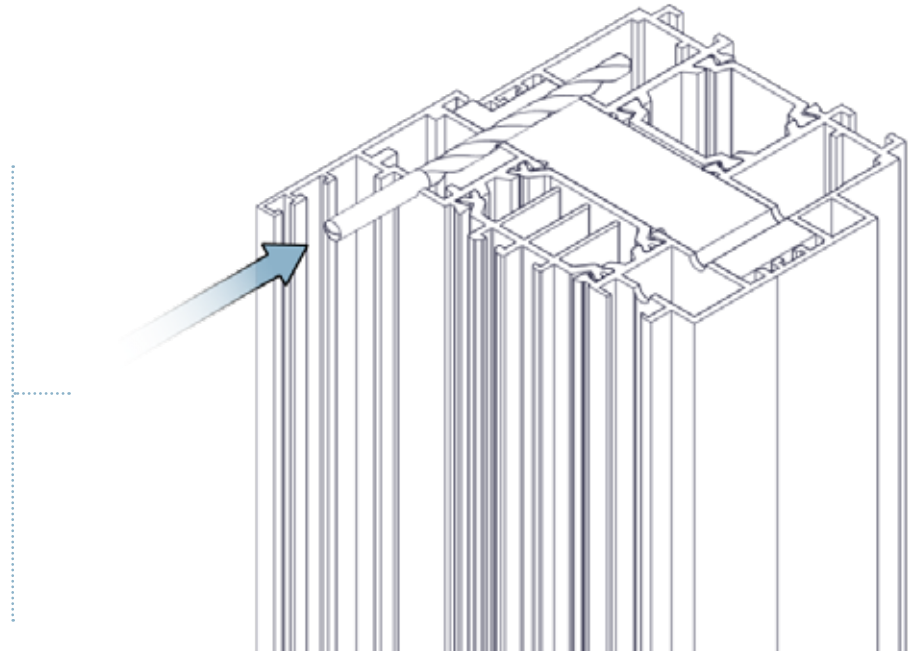


Window-to-Jamb Coupler Installation Guide

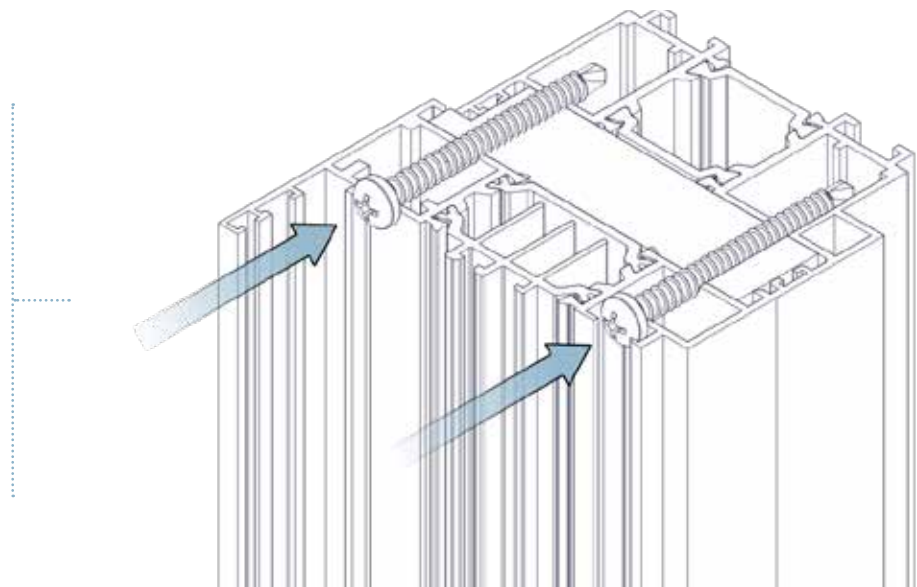


*Do not drill into
gasket chamber*

Pre-drill the frame
with a 3mm drill bit as
shown for every jamb
packer used

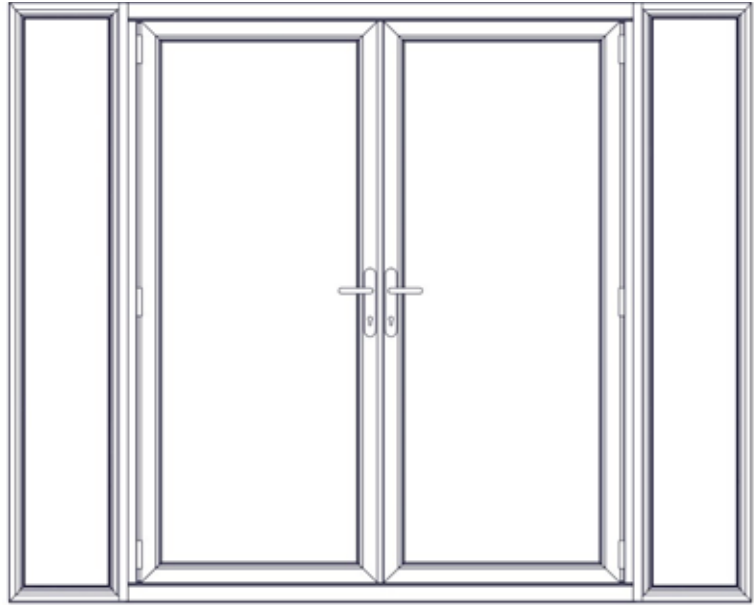


Using supplied screws, fix
the window frame to the
door jamb through the
jamb packers

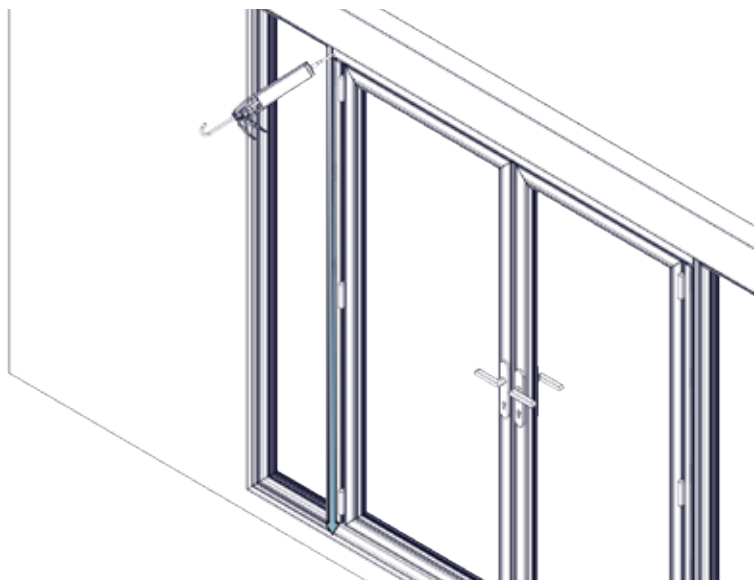


Window-to-Jamb Coupler Installation Guide

Install door sash, windows and glass as described in the Installation Guide

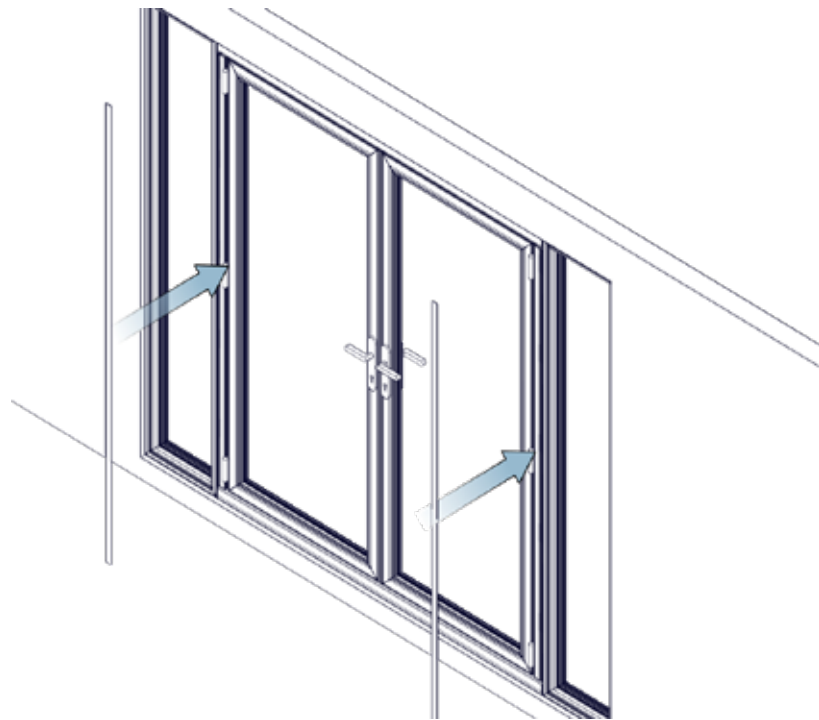


Seal the joint, between the window and door frame, making sure the joint is completely weatherproof

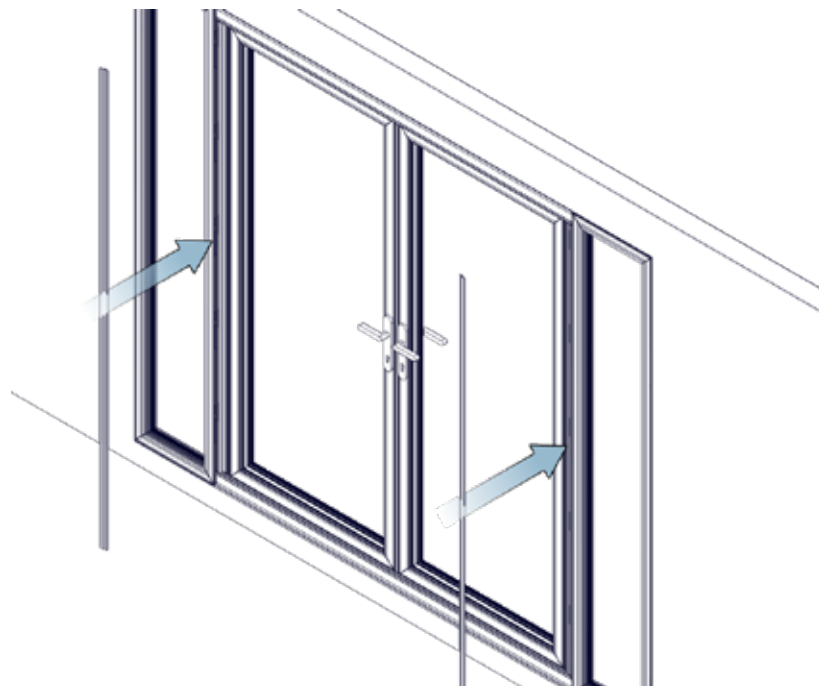


Window-to-Jamb Coupler Installation Guide

Cut and fit supplied trim inside (flat) ...

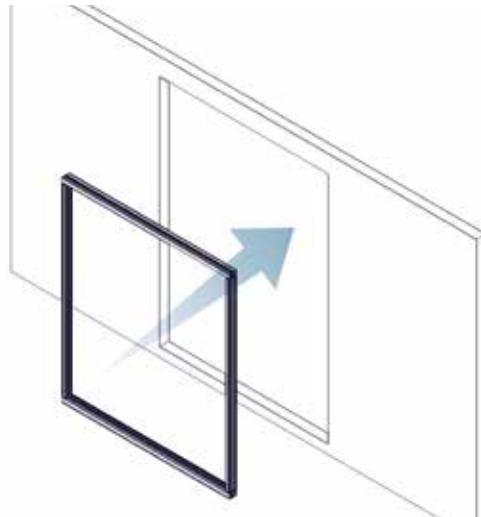


...and out (stepped)

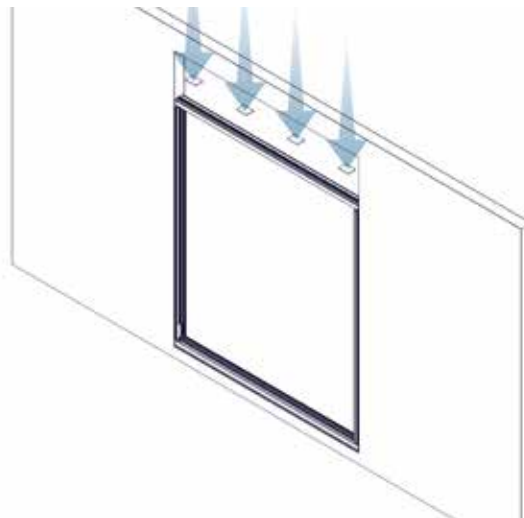


Window-to-Track Coupler Installation Guide

Install door jambs and tracks as described in the Installation Guide



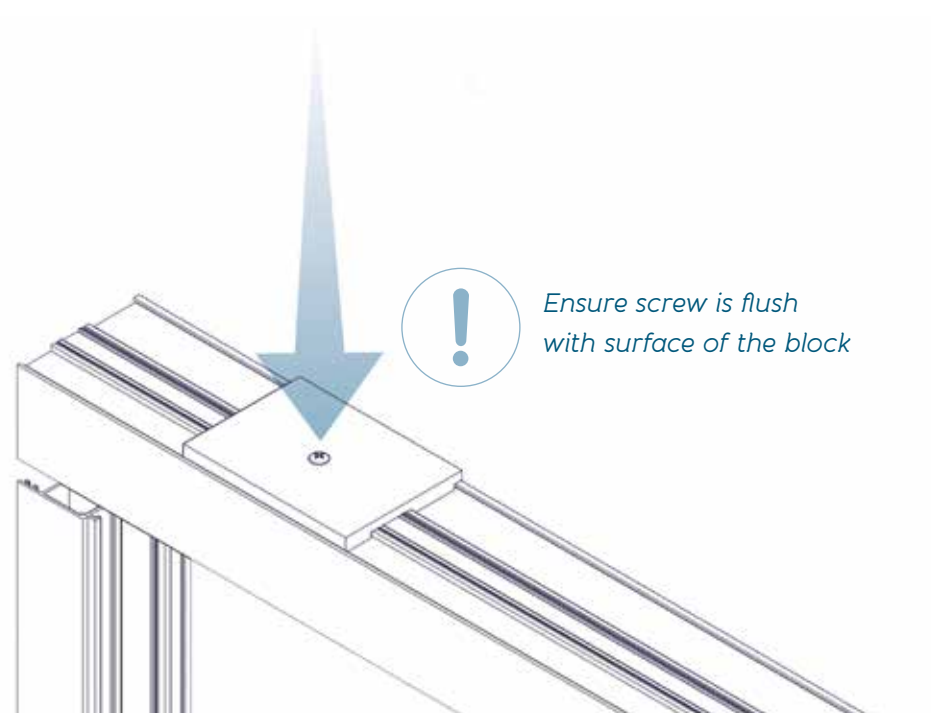
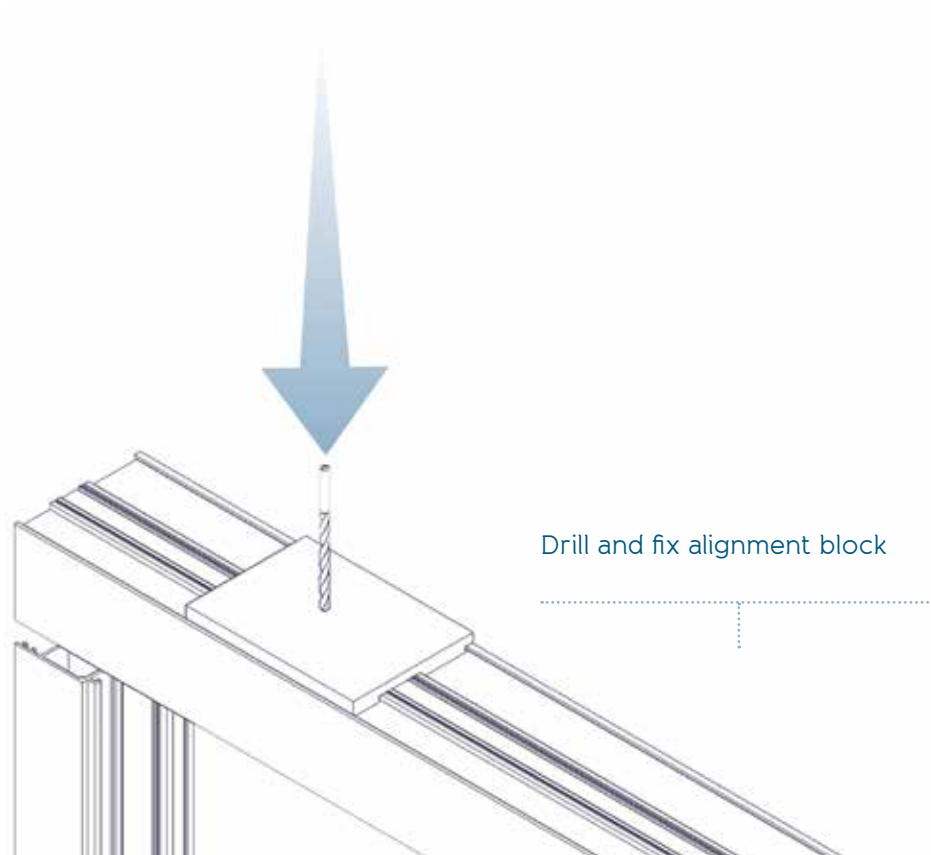
Place fixing blocks along the top track



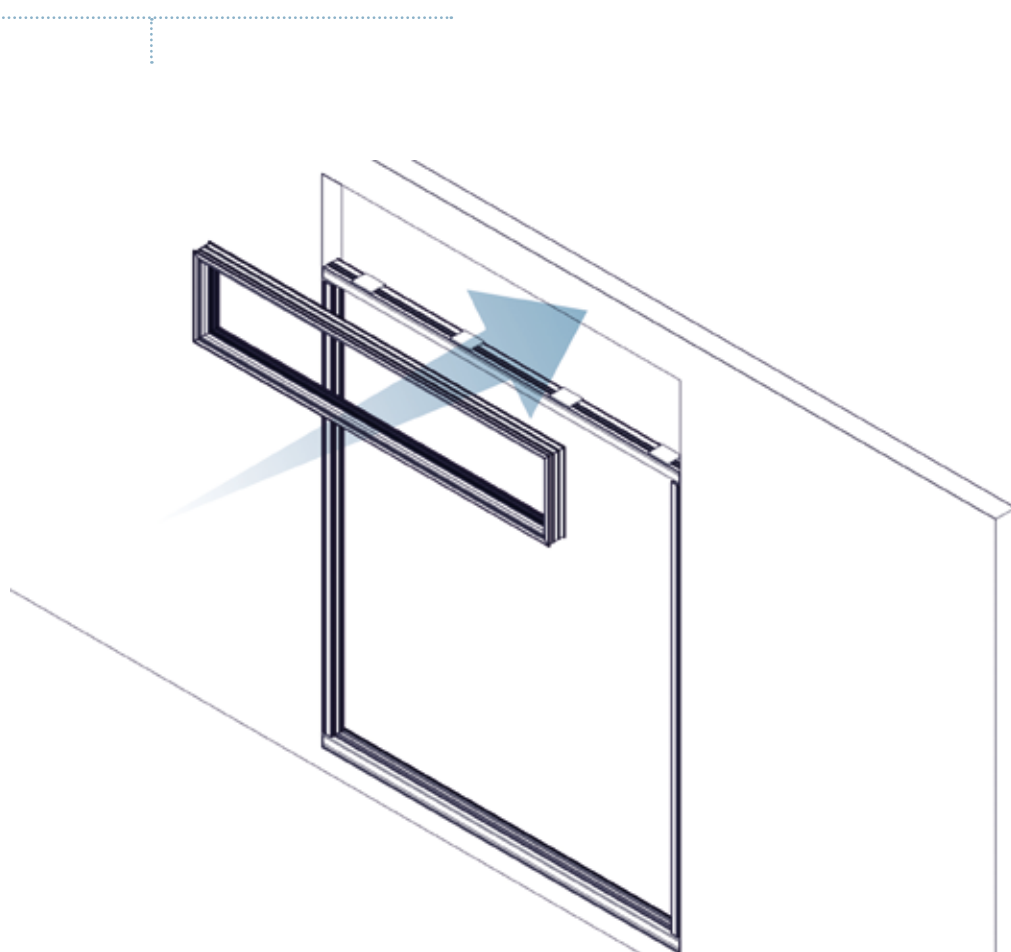
Ensure blocks are spaced evenly as shown



Window-to-Track Coupler Installation Guide

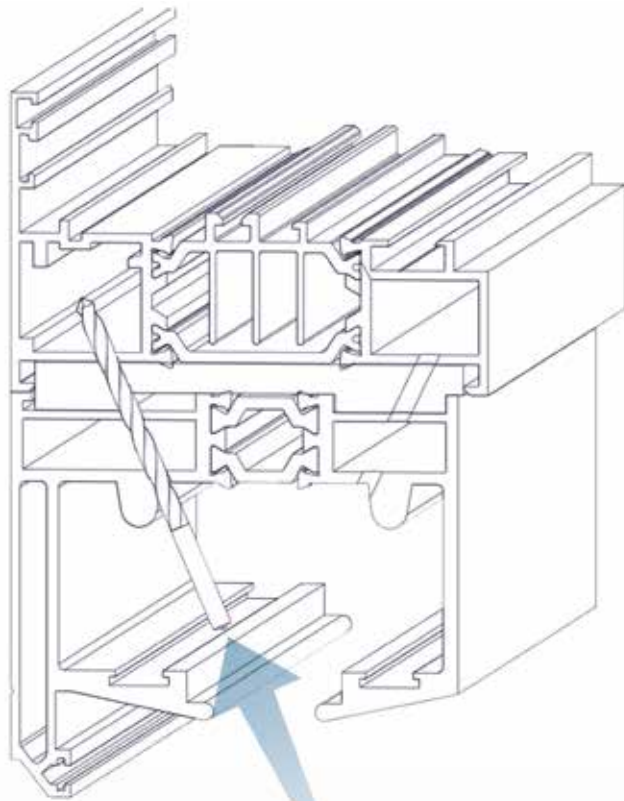


Install window above the door using clamps/
windbags to secure into position



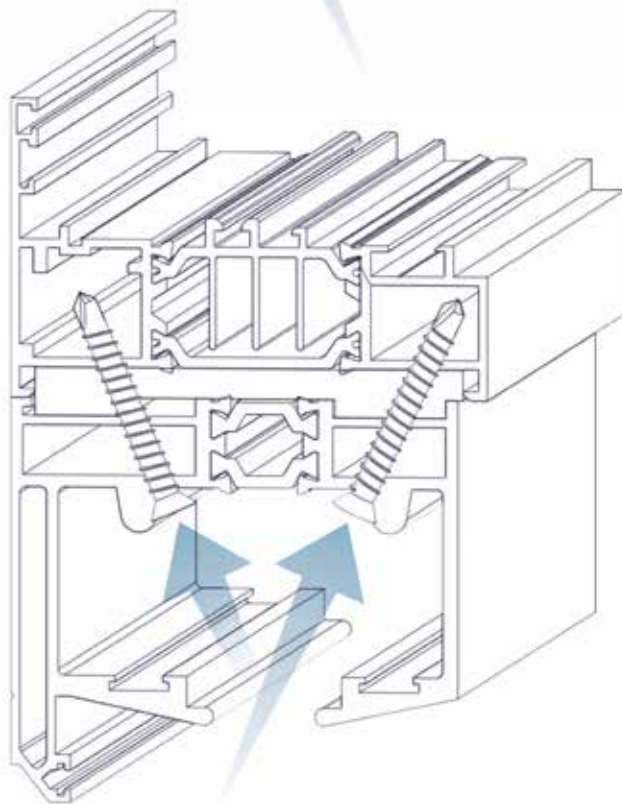
Window-to-Track Coupler Installation Guide

Pre-drill the frame with a 3mm long series drill bit as shown for every alignment block used



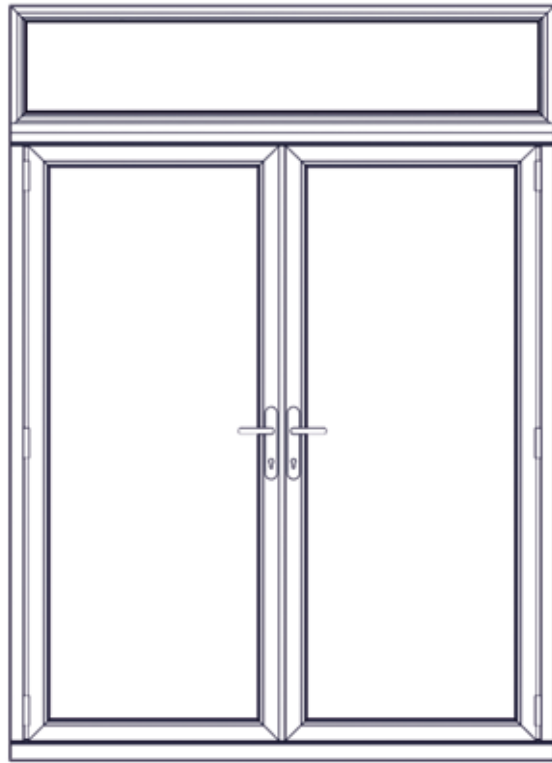
Do not drill into the window cavity

Using screws supplied, fix the track to the window frame



Window-to-Track Coupler Installation Guide

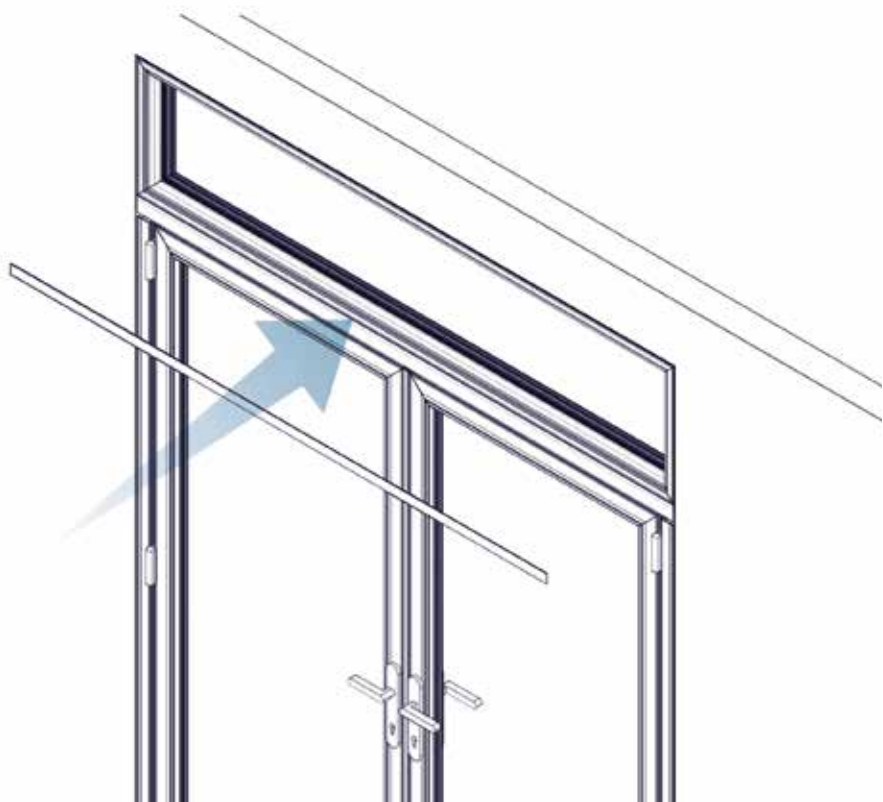
Install door sash,
window and glass
as described in the
Installation Guide



Silicone the joint between
the track and window
frame to ensure the joint is
completely weatherproof



Inside

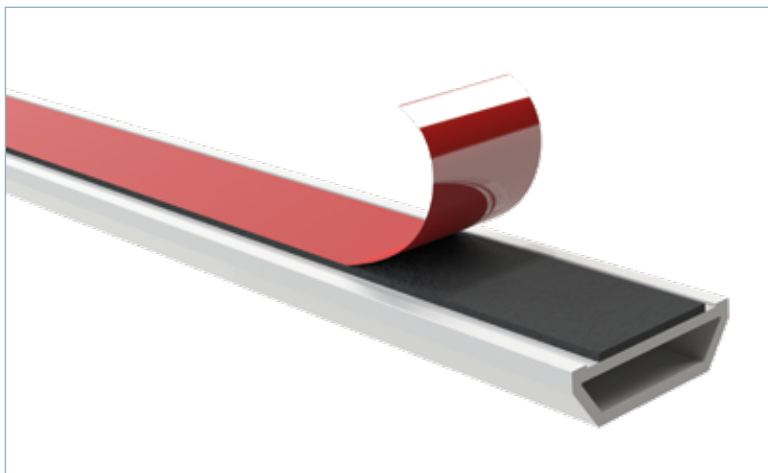
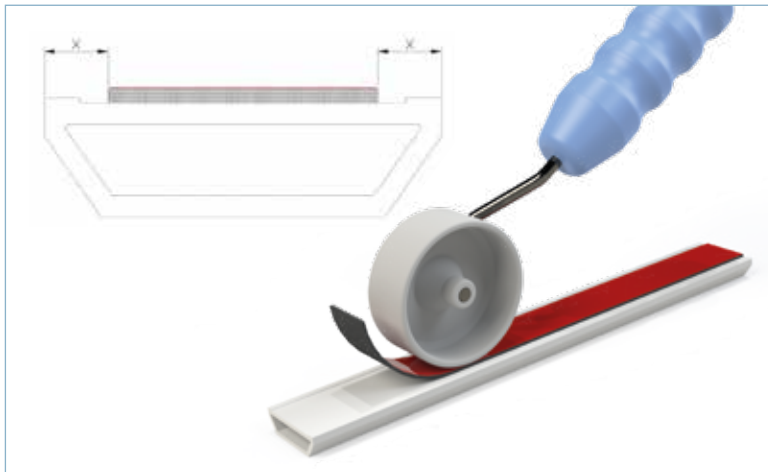
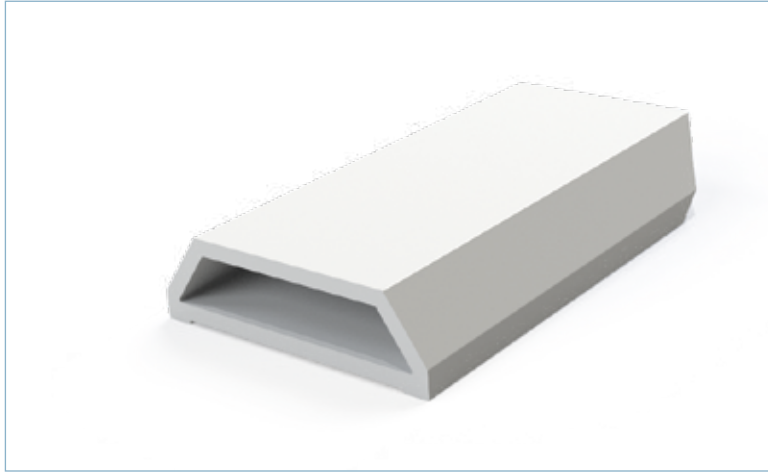


Outside



Cut and fit supplied trim
inside (flat) and out (step)

Glazing Bar Installation Guide



NB: The glazing bars are supplied as 10m bar lengths (2x5m) with 13m tape. The tape will need to be bonded to the lengths of the bar.

1. Once glass is fully installed, ensure the glass is clean. It is recommended to use a saline solution or glass primer.

2. Measure the sash, and using the approximate deductions from the offset table, cut the bars to length with the appropriate angles.

Note: All deductions are oversize to reduce wastage. Bars will need to be trimmed to ensure a seamless joint.

3. Clean the underside of the glazing bar using a saline solution or primer.

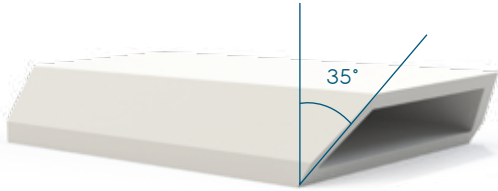
4. Place tape on the underside of the glazing bar, ensuring it remains central along the bar. It is recommended that a roller is used for this to ensure strongest bond.

5. Before removing red backing, offer the bars up to the glass and check for size, trim as required.

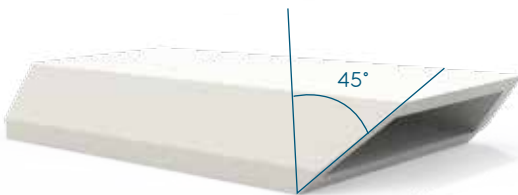
6. Remove red backing of the tape and press bar firmly onto the glass.

Note: deductions are all approximate and are given as a guideline, final trimming should ensure a snug fit.

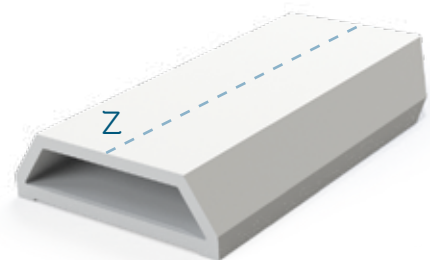
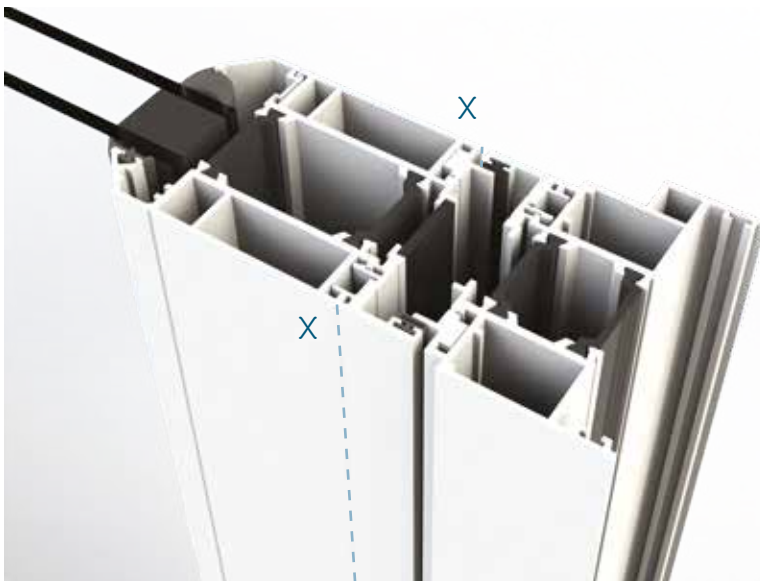
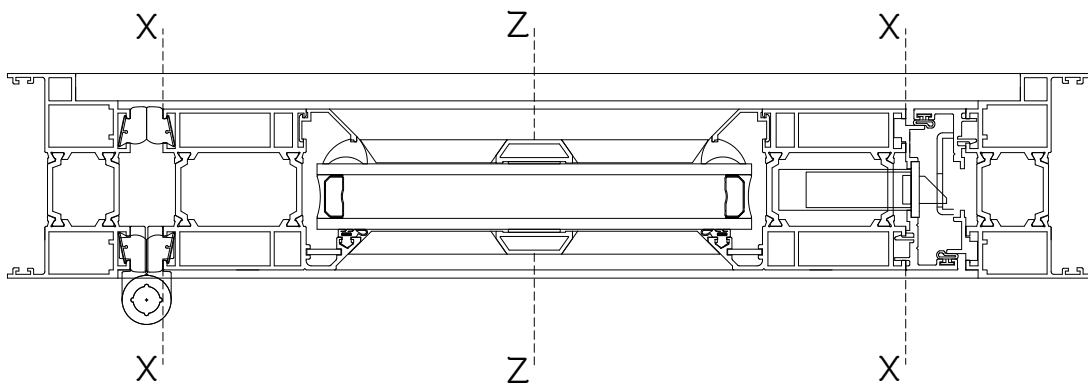
Glazing Bar Door Offsets



Full lengths	Cut Angle	Approximate Deduction
Rebate to Rebate	45°	X to X - 143mm
28mm Bead	35°	X to X - 151mm



Crossover	Cut Angle	Approximate Deduction
Bar to Bar	35°	Z to Z - 25mm
Rebate to Bar	45° + 35°	X to Z - 84mm
28mm Bead to Bar	45° + 35°	X to Z - 88mm



Accreditations...

At Origin, we pride ourselves on providing best quality products backed by best levels of service and efficiency. Put simply, our aim is to continuously learn, evolve and improve.

We are well known for having rigorously high standards in everything that we do. We're also known for innovation, but we never want to settle: if there's a way that we could do something better, we will find it.

This ethos has been instilled throughout Origin. Whether it's a process, product offering or even the company's sustainability, we have created a culture that encourages continuous improvement.

To demonstrate our commitment and as a way of measuring our performance, we work towards gaining certain prestigious accreditations. Our achievements show a strong moral and ethical intent in how we operate and how we try to do things the best way, not because we are told to do so, but because we think it is the right thing to do.

ISO 9001 – Quality Management...

ISO 9001 is an international standard that assesses a company's quality management system. Having first achieved it in 2013, the fact that we still are certified means that we have a track record of consistently providing products and services that meet both customer and regulatory requirements.

It's something that we take very seriously and its influence is integrated into every process.

Key areas of this include:

Product quality – To ensure a product's overall manufacture is flawless, we have checks in place to guarantee you the best quality. A few examples are:

- Supply chain – an inspection at the point of delivery and before going into manufacturing. If anything is spotted, it's documented and raised with the supplier.
- Production – there are quality checks at every station, not only to look over the previous person's work, but to review the quality of the overall build.
- Equipment – a robust maintenance schedule for machinery and equipment ensures consistency.
- Pre-delivery – before it is packaged and loaded ready for delivery, there's another thorough check to ensure nothing's happened whilst being moved from station to station.
- Feedback – as part of our mission to always innovate, whether it's from internal or external stakeholders, feedback is imperative. We are very proactive at bringing this type of information back into the business and learning, as it gives us an opportunity to improve.
- Training and development for our employees – meaning we're better at understanding the good, the bad, and what we can do better.

Accreditations



ISO 45001 – Health & Safety Management...

Whether it's through improving homes with our products, or in our workplace, people are at the heart of everything that we do at Origin, so we are very proud to have achieved a triple badge accreditation when we received our latest accolade – ISO 45001.

ISO 45001 recognises our commitment to employee safety, and reduces workplace risks to create a better, safer working condition. We have spent time reviewing all the activities that go on within the offices, manufacturing centres and warehouses, and have created a full risk log which will link up to our current risk assessments. These are fed back so they can be actioned to be rectified or developed into an improved method of operating.

This means that you can buy from our range safe in the knowledge that we are minimising risks as much as we can for optimum safety.



ISO 14001 – Environmental Management...

Now more than ever, we need to be aware of the impact our operations may have on our environment; the legal obligations we must adhere to, and ensuring we are doing things the right way.

The internationally renowned ISO 14001 accreditation measures the environmental management system that we have in place. It's a subject that's very close to our hearts, which is why working towards this standard was an easy decision.

Accreditations

We care about the resources we use for our products – where they come from and where they end up. To add to this, we aim to be zero waste to landfill and have already put into place many positive changes to make this happen. We want our customers to buy from us with a clear conscience and feel that ISO 14001 can prove that Origin is taking responsibility, acting ethically, legally and exercising best practice in all that we do. Our environmental management system covers:

- Waste management and energy targets – to reduce our consumption and impact on the environment. Helpful hints, tips and reminders are prompted to all staff regularly, so that they can join us in our goal and see how small changes to their work practices can have a big impact.
- Product design and lifecycle – recyclability and sustainability are a design priority for us.
- Supply chain – choosing suppliers that are aligned with our ethos and vision. This is applicable not only when bringing on new suppliers, but also working with existing ones to better their carbon footprint – whether that's minimising packaging, reusing or even our drivers picking up the materials on their routes, rather than a supplier sending their own fleet, we are constantly reviewing how we can improve.



Secured by Design...

Secured by Design (SBD) is a national, police-backed standard, associated with security and levels of performance for weather, operation and quality on domestic properties. The flagship UK police initiative was originally introduced to help 'design out' crime through the use of high-quality, innovative products and market-leading processes.

Accreditations

It recognises that our doors and windows have not only been tested to the required security standards, but that they also adhere to the rigorous test standards required by the police.

This independent certification involves initial testing of the products and regular re-tests, as well as inspections of our manufacturing and production facilities, to ensure the correct processes are maintained constantly over time, providing more secure and reliable products.

In order to be able to apply, we first needed to achieve:

1. PAS 24 (Enhanced Security)
2. BS EN 6375 Part 1 (Weathertightness)
3. BS EN 6375 Part 2 (Operational and Strength Characteristics)
4. BS EN 6375 Part 3 (Basic Security)
5. ISO 9001 (Quality Management)

We're proud to say that our products passed every one and SBD, so you can feel secure by choosing Origin.



PAS 24: 2016...

This is your guarantee that the door sets and windows that we manufacture deliver the right level of security for the buildings they are intended to be part of.

Like most British Standards, PAS 24: 2016 is a minimum standard, and it is either a pass or fail test. There isn't a performance scale for those that are more or less secure, so some of the products that pass will be stronger than the minimum requirement. That's why we have become Secured by Design accredited. Because it's a voluntary scheme, we feel it demonstrates our commitment to the security and overall performance of our products.

Contact

Accounts

t 08448 802 371 or 01494 416 895 **e** Finance@origin-global.com

Marketing

t 08448 802 374 or 01494 416 897 **e** Marketing@origin-global.com

Sales Operations

t 0808 168 5816 or 01494 686 868 **e** OrdersNorth@origin-global.com

e OrdersSouth@origin-global.com

Fleet and Logistics

t 08448 802 378 or 01494 416 898 **e** Logistics@origin-global.com

origin
DOORS AND WINDOWS

Origin Global HQ, Stuart House, Castle Estate,
Coronation Road, High Wycombe
Buckinghamshire, HP12 3TA

t 0808 168 5816
e enquiry@origin-global.com
w www.origin-global.com

