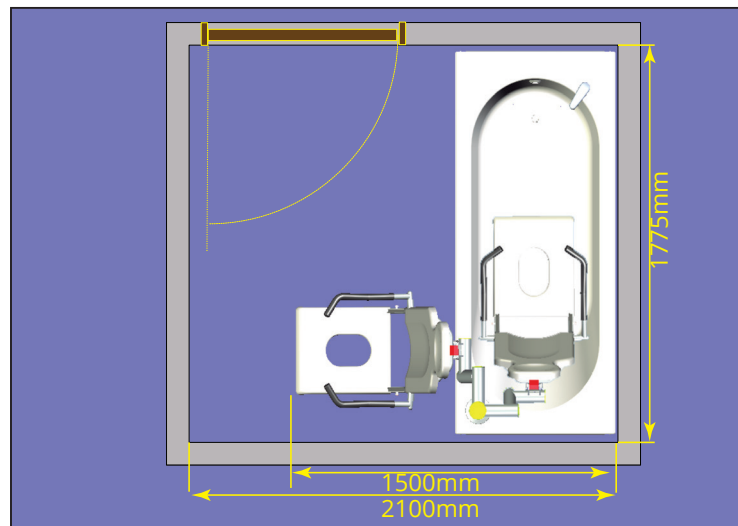
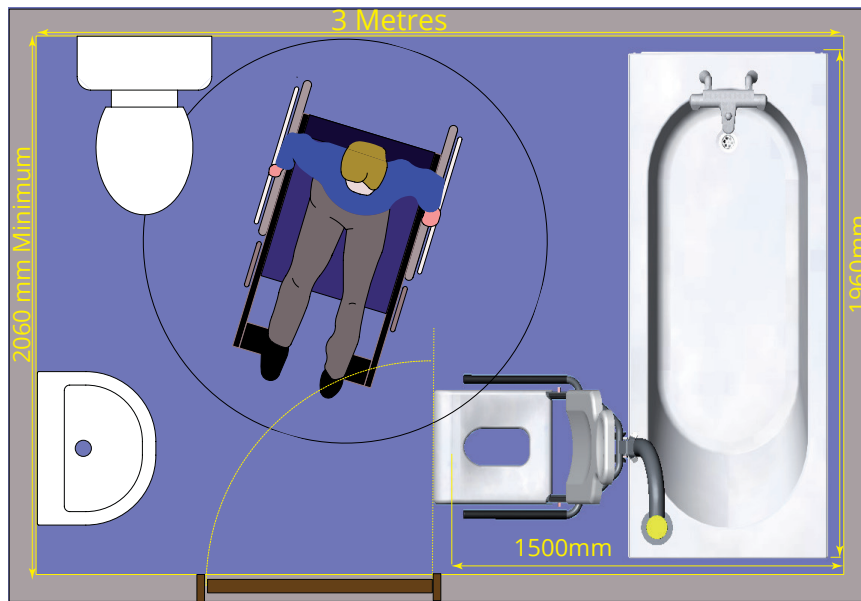


Syncra Height Adjustable Bath Pre-Installation Instructions

General Site Requirements:- Minimum space requirements

The Diagrams below show the space required to operate the bath. Wheelchair Access: Minimum space required.



NOTE: The doorway position relative to the bath, the bath cannot be rotated once in the room

General Site Requirements.

The wall decoration and floor covering must be complete and finished. Underfloor heating Cannot be fitted beneath the bath.

Positioning and fixing the unit.

The Syncra bath needs to be secured to the floor, using 75mm long fixings into concrete. Adjacent walls need to be plumb, flat and clear of obstructions. EG: No Electric showers or towel rails in the area where the height adjustable bath and chair operates.

Skirting boards may be left in place and the wall may be tiled.

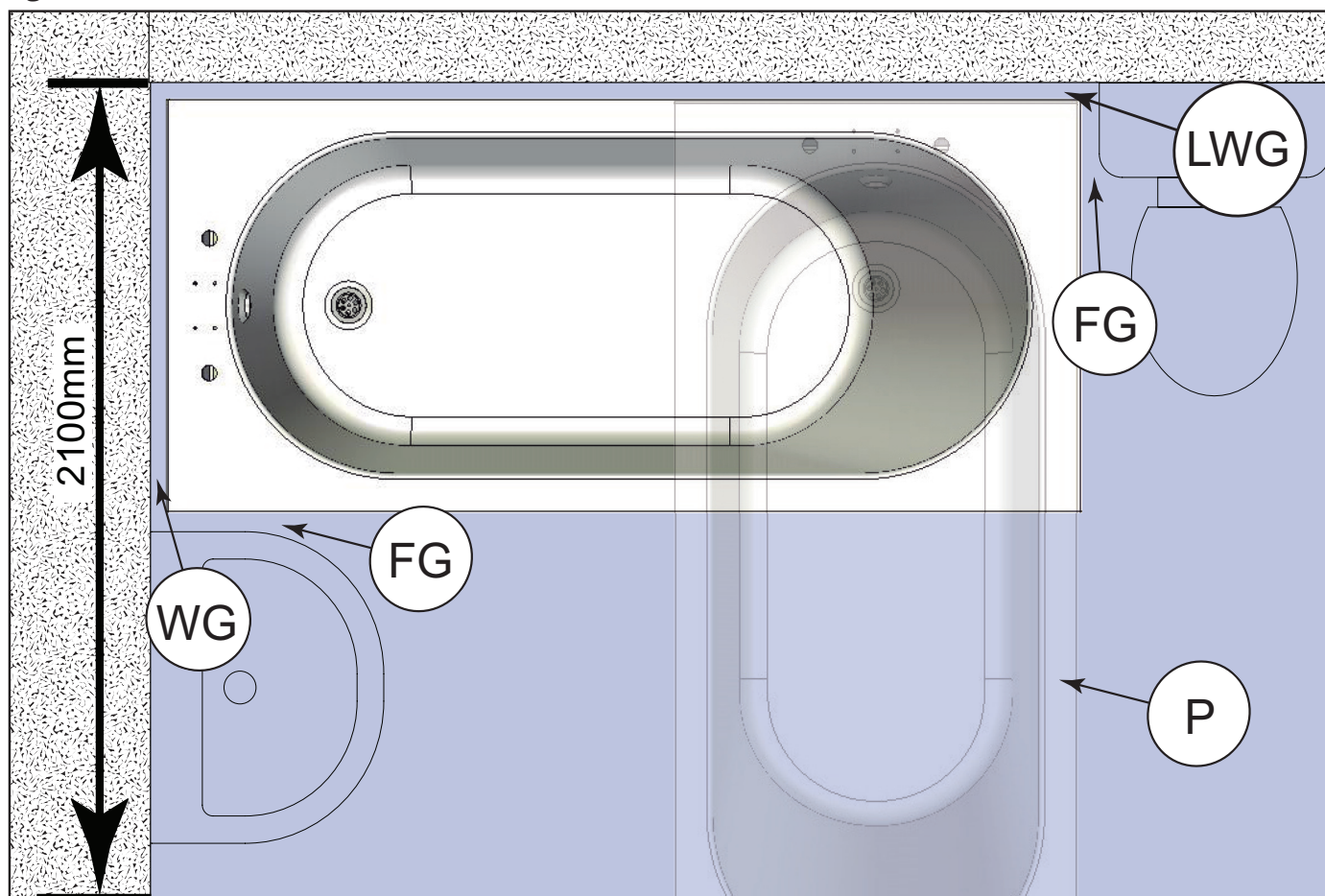
Fig 1 - If the unit is to be installed in an alcove or into a corner the side wall/walls will also have to be clear of obstructions.

The bath can be fitted as a Corner unit or Peninsular unit (P).

A minimum clearance of 40mm is required against any adjacent walls (WG & LWG) and fixed appliances (FG) including toilets, radiators, sinks and shower units.

Note: There must be enough clearance for the chair to swing out of the bath, 2100mm minimum between walls. Avoid having the basin fitted as shown below as it will obstruct the clients legs when swinging the chair into the bath.

Fig 1

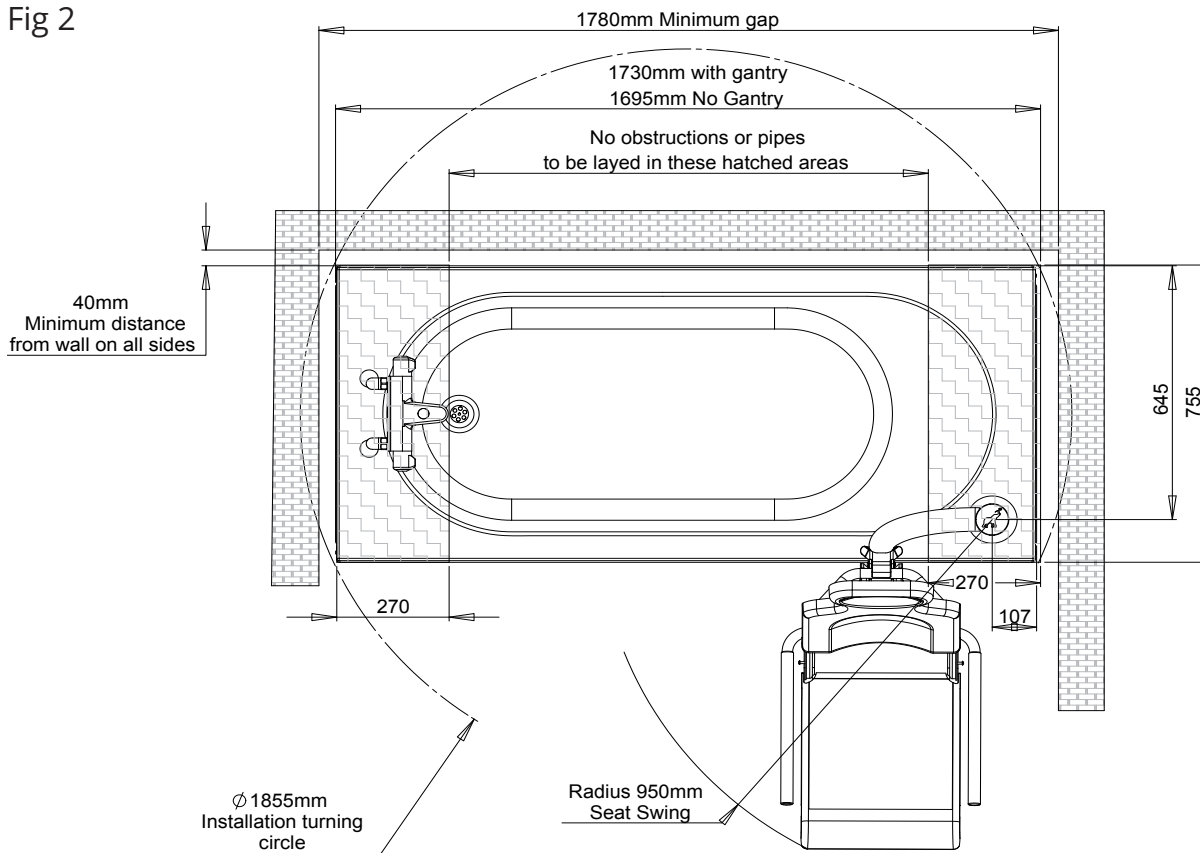


Positioning and fixing the unit. - Continued

Fig 2

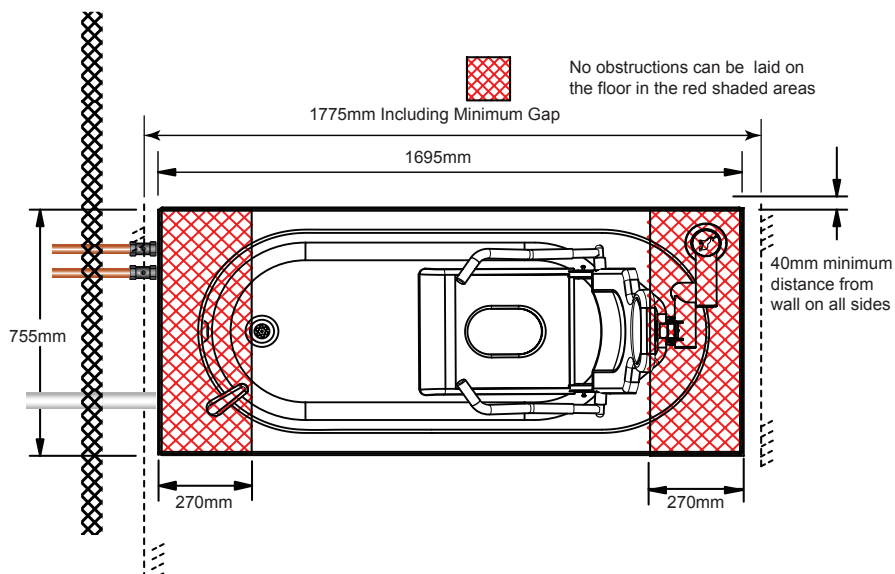
When calculating the footprint of the bath use the diagram below and ensure the clearances are provided at the ends and at the side

Fig 2



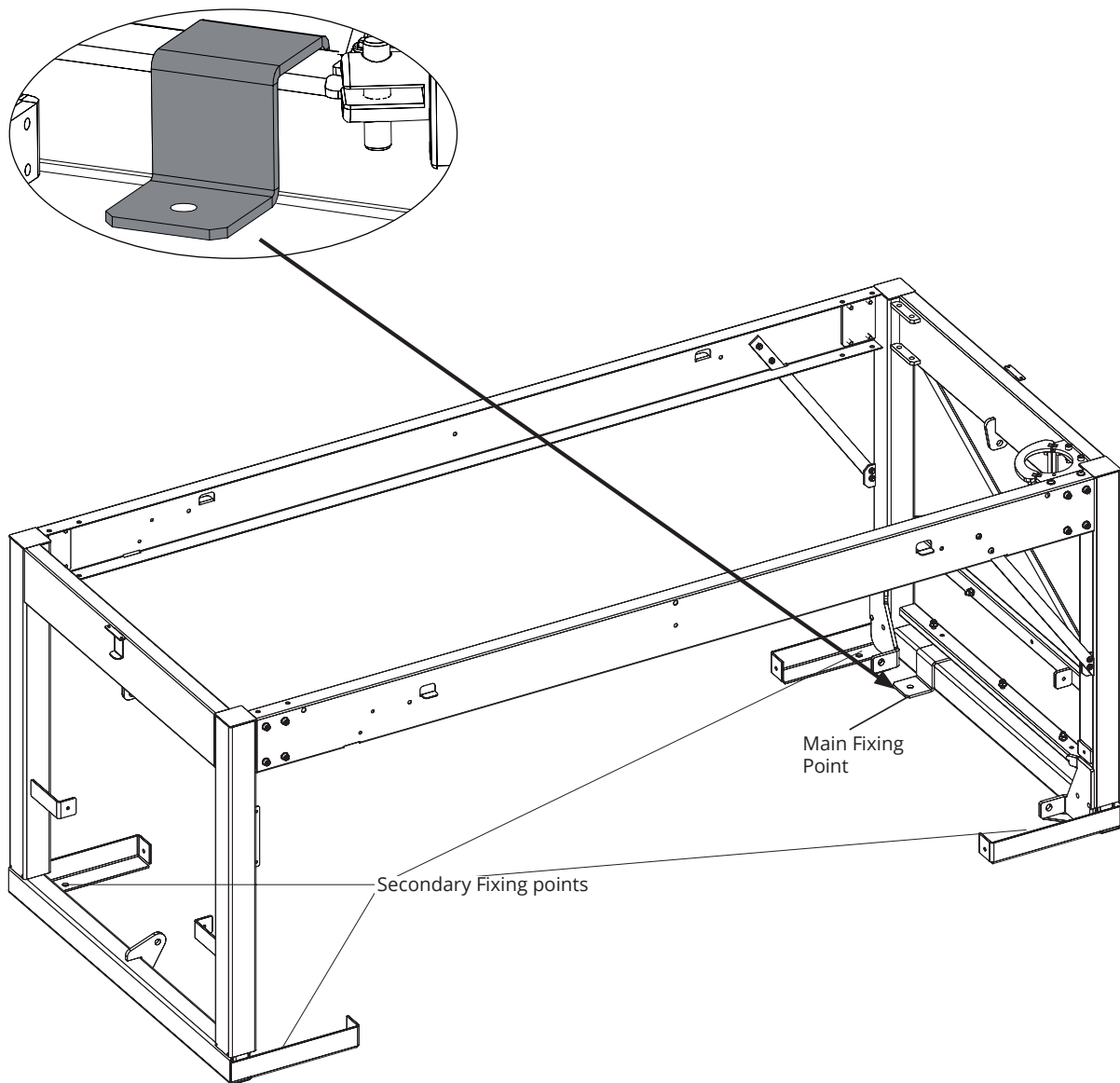
The red shaded areas must be kept clear of any pipework or wiring.

The floor must be strong enough (especially in the foot areas in red) to carry the weight of the bath when full and occupied.



If the floor is concrete (Minimum C20/25) it must be capable of accepting the anchors. For "BISON™" type block and beam floors chemical resin fixings may be required.

Wooden floors will need to be able to accept Coach screws



Plumbing Options

Figs 3 & 4 show the positions for the supply pipes and the waste pipe.

These services must be at the tap end of the bath.

22mm ball type isolation valves (V) should be positioned and orientated exactly as shown but can be fed through the wall (SW) or the floor (SF). See Fig 5. They can also be fed along the wall from either side but must be kept at low level and tight to the wall.

Fig 3

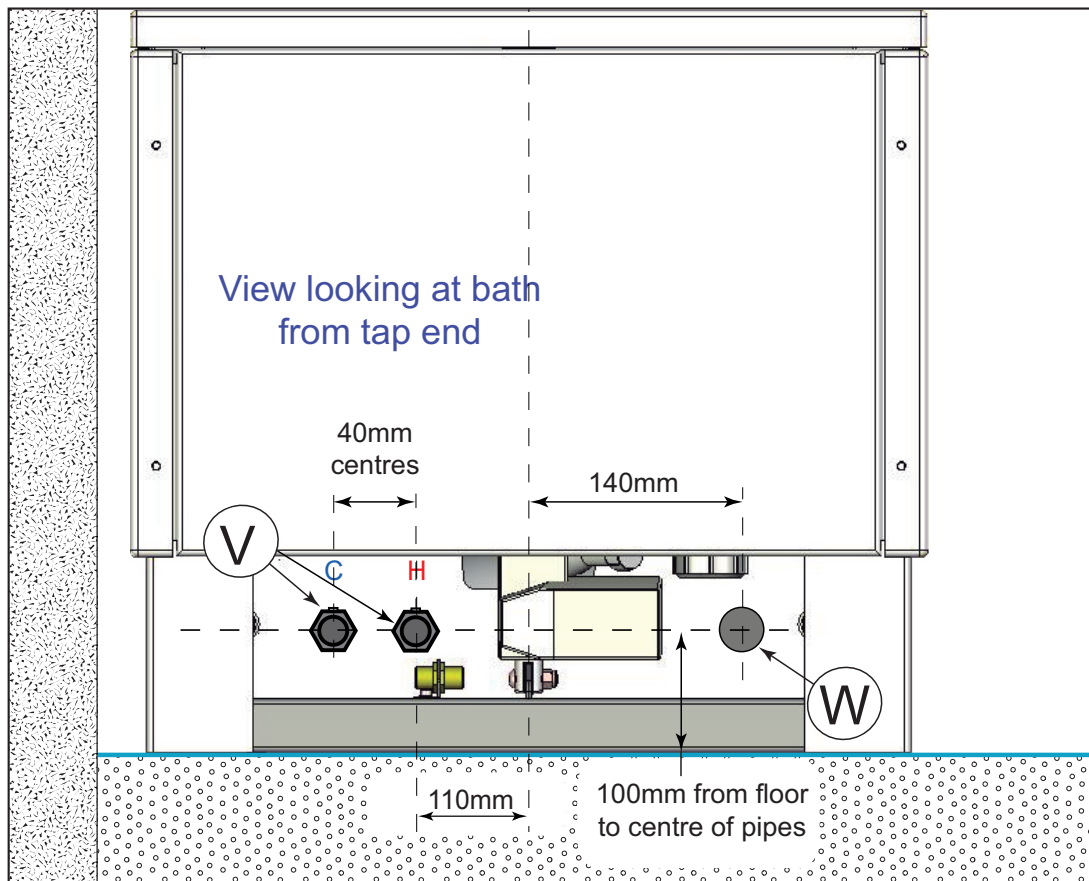
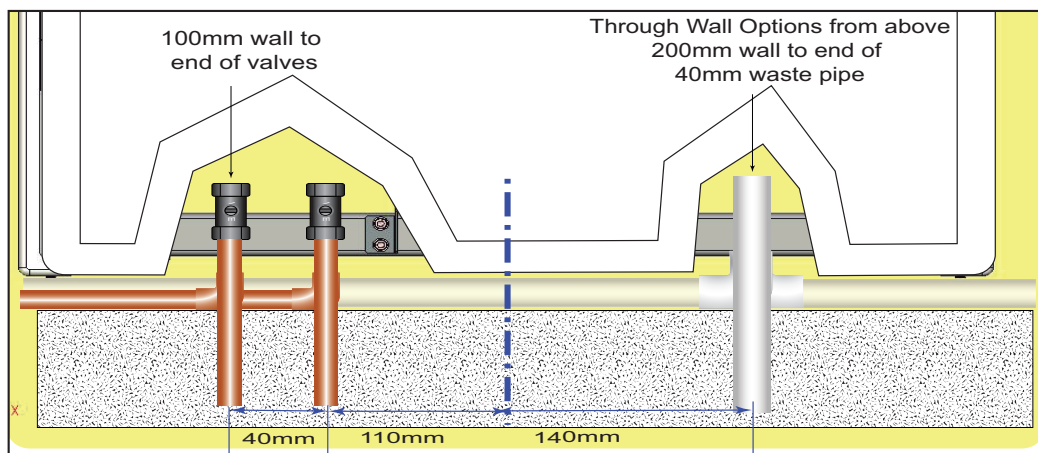
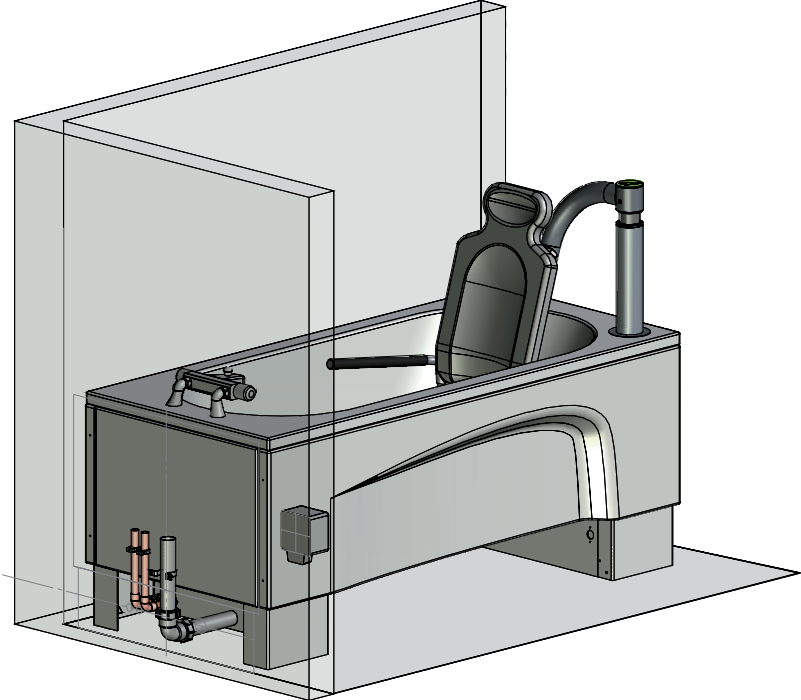
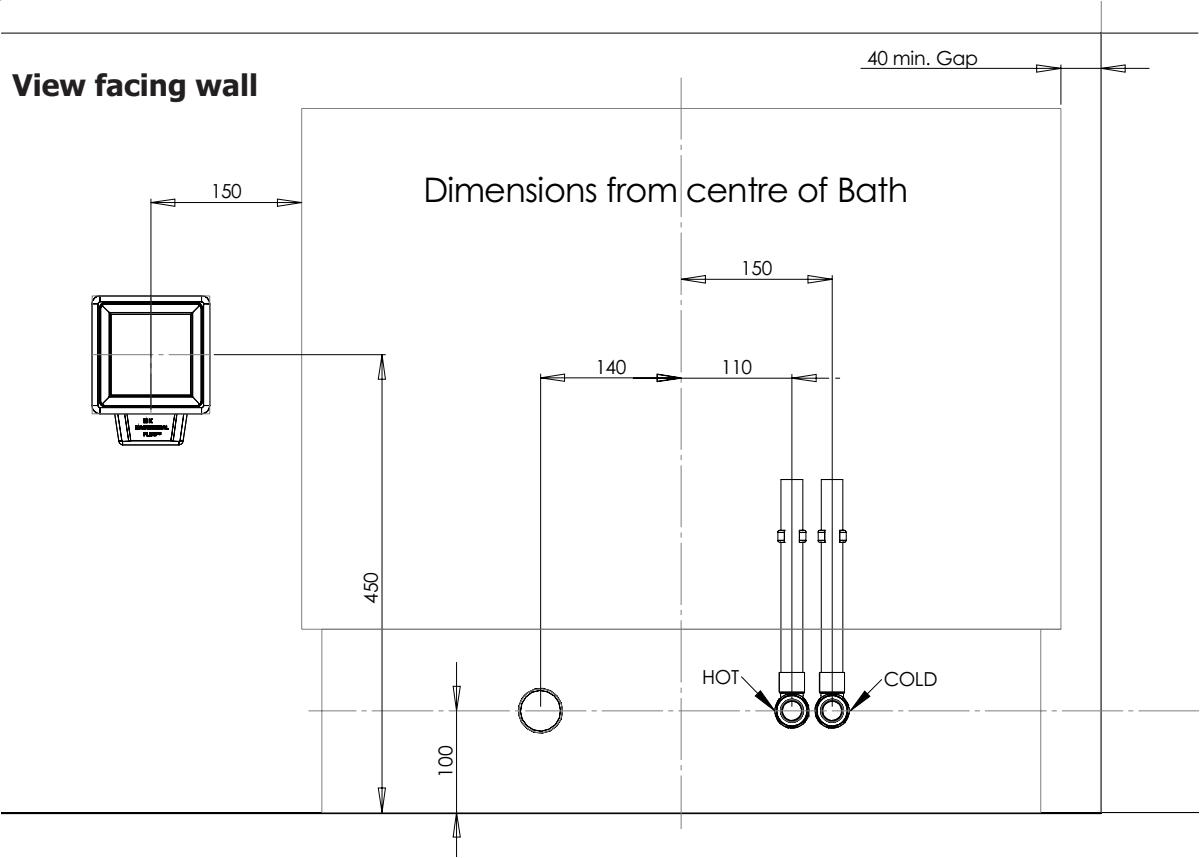


Fig 4



Services Layout



Plumbing Options - Continued.

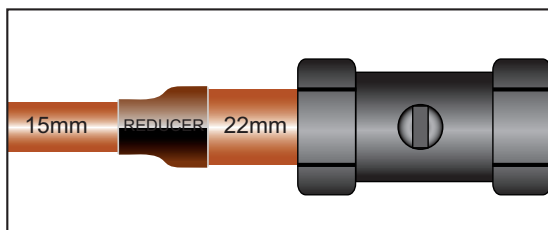
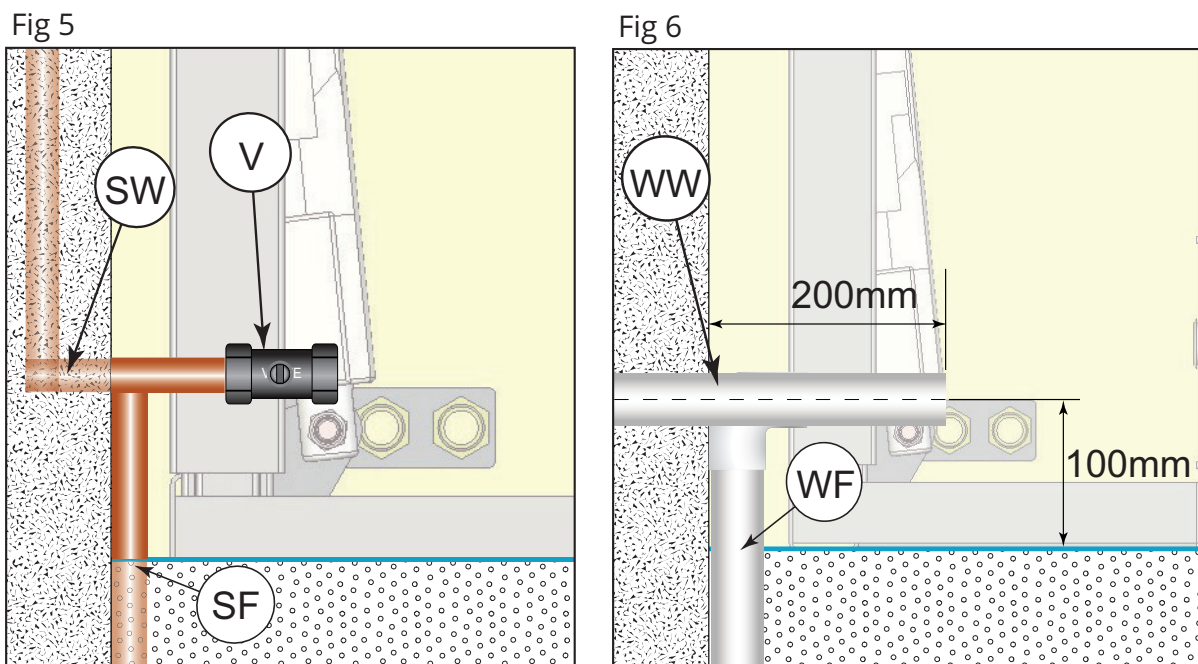
Fig 5 & 6.

If the water service pipes need to be fitted along the wall from a side wall they need to be kept tight against the wall.

If the waste is to be fed along the the wall from a side wall it must be kept tight to the wall and be positioned as shown.

The 40mm waste pipe can be fed through the wall (WW) as shown and cut to the length indicated. It can also be fed through the floor (WF) but must be kept tight to the wall and terminate horizontally in the position shown for (WW).

Figure 5 & 6 viewed from the side



Note: If the site piping is 15mm then this should be expanded to 22mm piping at the valve end to accommodate the valves.

Tap Options

The Syncra bath can be supplied with various tap/mixer sets.

The minimum water pressure on each supply must be 1 bar or above, Maximum of 10 bar with a differential of no more than 5 bar.

Note: If the bath is fitted with Low Level Taps then the supply pressures must be equal and with a minimum 1 bar.

Electrical Connection

Fig 7 & 8

The bath requires a 1 off 230 volt, 1.25 kW, waterproof flex outlet, located at either end of the bath in either of the positions shown. Supplied from a protected fused spur.

Fig 7

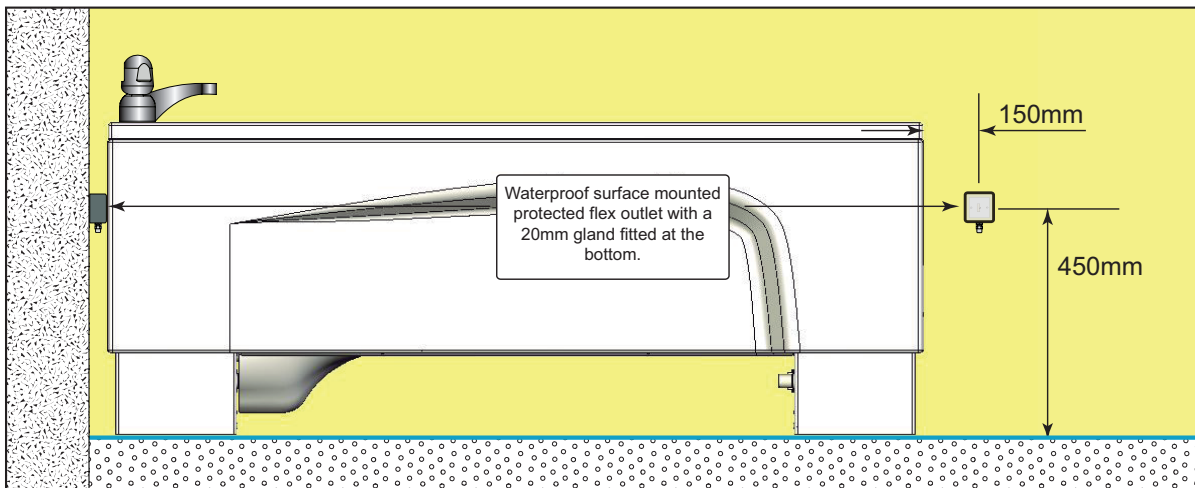
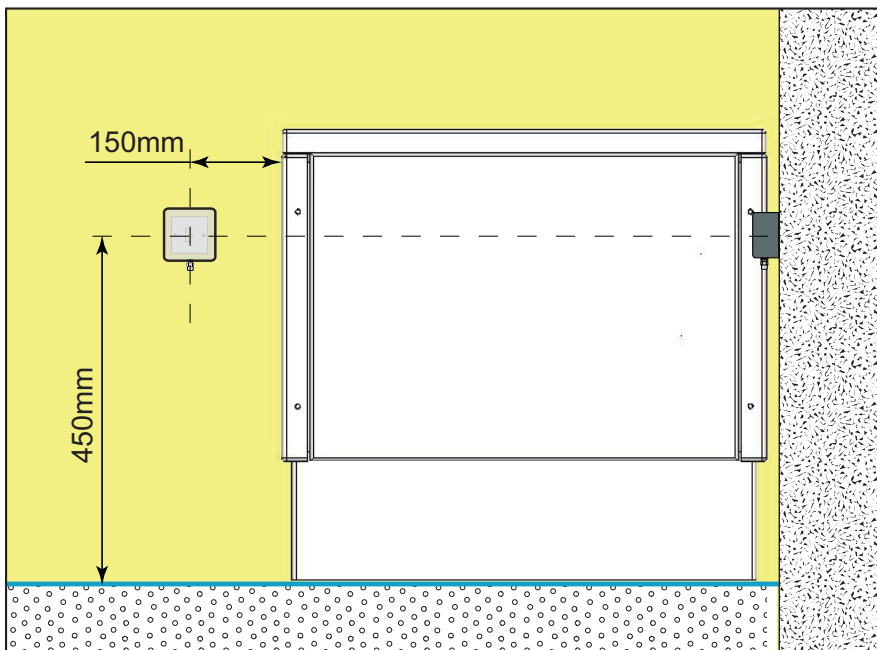


Fig 8



Waterproof outlet
MK Part number
56410 whi or
similar

Technical Information.

Electrics

A.C. Input 220 - 240V~, 50/60Hz, 1.25 kW Maximum. DC Output, 24v, 8 Amps.

Safe Working Load

Bath: 280 Kilograms

Chair: 150Kg

Length

1695mm (1775mm required to provide minimum clearance.)

Width

755mm (2100mm required to provide minimum clearance for the chair to swing out.)

Height Range

700mm Minimum - 1000mm Maximum.

Bath Water Capacity

200 litres to overflow.

Water Pressures

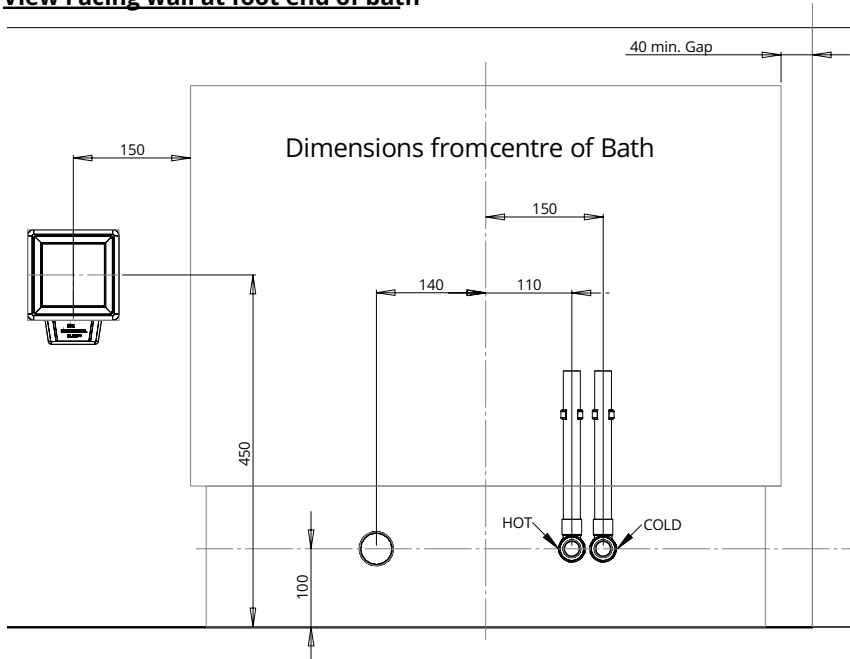
A Minimum of 1 bar is required on both Hot and Cold water supplies.

Maximum 10 bar.

Maximum differential between Hot and Cold 5:1.

Syncra Height Adjustable Bath (long) Pre-Installation Instructions

View Facing wall at foot end of bath



NO UNDERFLOOR HEATING IS TO BE INSTALLED UNDER THE BATH .

Plumbing

Hot and Cold ball type isolation valves (22mm) fixed in positions shown, with centreline of the valves 100mm from the floor. A 40mm waste is required as shown. No obstructions can be laid in the area around the support frame.

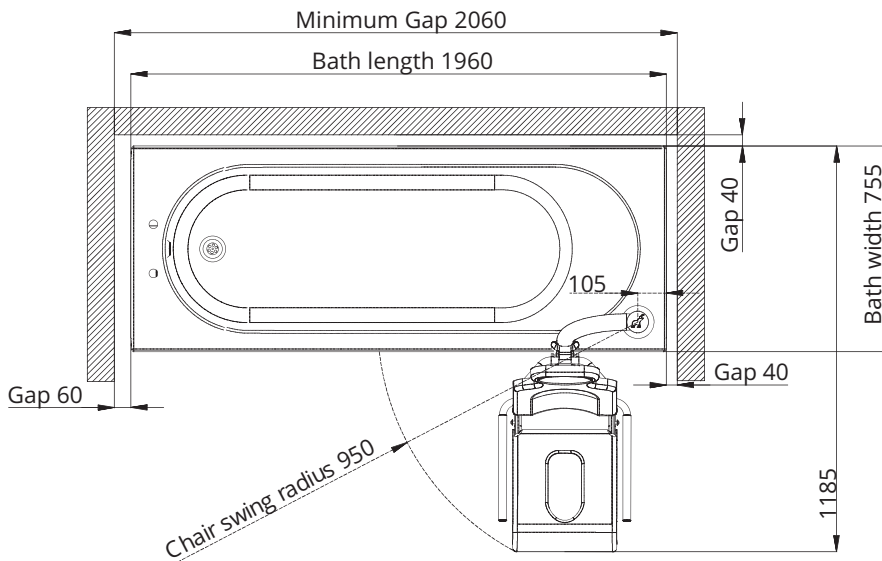
Thermostatic Taps

require a minimum dynamic water pressure of 1 bar (14.5psi) and a maximum of 5bar. The hot & cold pressures should be equal .

NOTE: These taps are not compatible with NON-Modulating Combination Boilers.

Electrics

230 volt, 1.25 kW WATERPROOF switched flex outlet, located in the position shown supplied by a protected fused spur.



Fixing and Positioning

The floor under the bath must be flat and level. We require a minimum gap of 40mm at each side and 60mm at the tap end. Floors must be strong enough to support the weight of the bath and able to accept suitable fixings to anchor the bath. Walls need to be plumb, flat and clear of obstructions from floor level to 1050mm. Skirting boards may be left in place. The wall and floor decoration must be COMPLETE prior to installation.