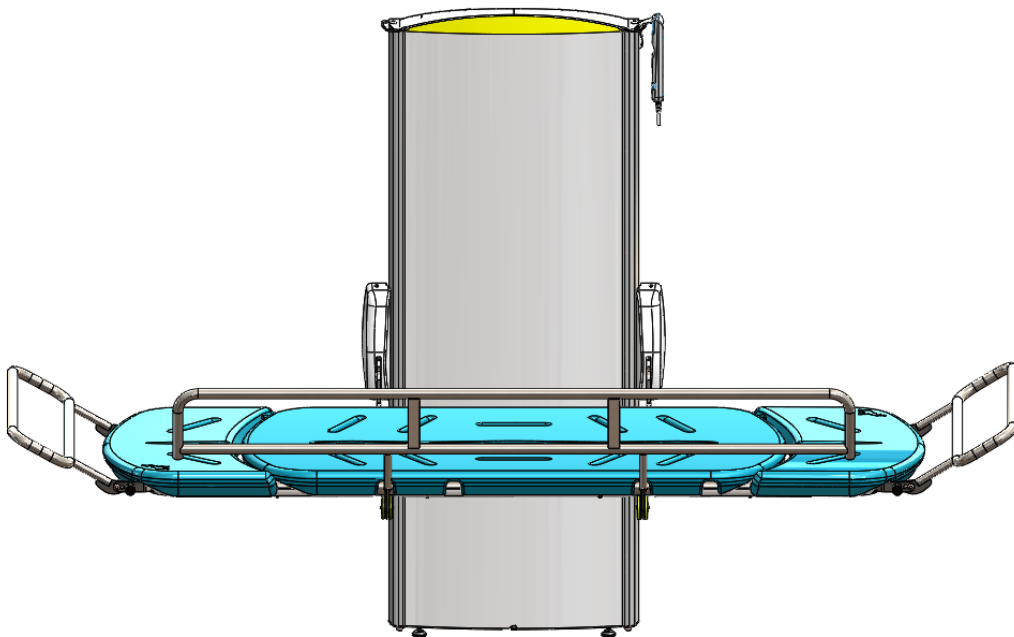




CTX Owner's Manual and Installation Instructions

Ergonomic Shower & Changing Table



Important: Read this manual before use

CTX Owner's Manual and Installation Instructions

Contents:

| | |
|-----------------------------------|---------|
| Safety Information | Page 3 |
| Technical Information | Page 4 |
| Instructions for use | Page 5 |
| Instructions for use continued | Page 6 |
| Instructions for use continued | Page 7 |
| Installation and fixing | Page 8 |
| Installation and fixing continued | Page 9 |
| Cleaning and care | Page 10 |

Our policy is one of continuous improvement and we therefore reserve the right to make technical alterations without notice. The content of this publication may not be copied either whole or in part without the consent of OpeMed (Europe) Ltd



Safety Information

WARNING:

Before installing or using this equipment you must read and fully understand these instructions.

Thank you for purchasing your CTX Changing Table.

The CTX height adjustable changing table is intended for showering and changing children and adults weighing up to 200Kg. The changing table must not be used for any other purpose. This manual shows the 1800mm length unit with the optional side guard and end guards fitted. Your equipment may be different depending on what has been ordered, .







Product description:

The height adjustable changing table is powered by a 24Vdc control system with battery backup. The battery enables the use of the changing table in the event of mains electrical supply failure. It is essential that mains electrical power is switched on at all times to maintain the charge of the backup batteries.

Warranty:

This product is guaranteed against all defects in manufacture for a period of one year. This does not affect your statutory rights.

Equipment Data Label

| | | |
|--|---|---|
| Model: CTX | | |
|  | | |
| Lift range: 700 mm | | |
| SWL 200 Kg | | |
| 230V ~ 50Hz 650W | | |
| IP X4 | | |
|  |  |  |
|  | Pb |  |
| Made in England by: Astor Bannerman (Medical) Limited 11f Coin Park industrial estate Andoverford GL54 4HJ | | |
| | | LD37 |



Technical Information

Electrics:

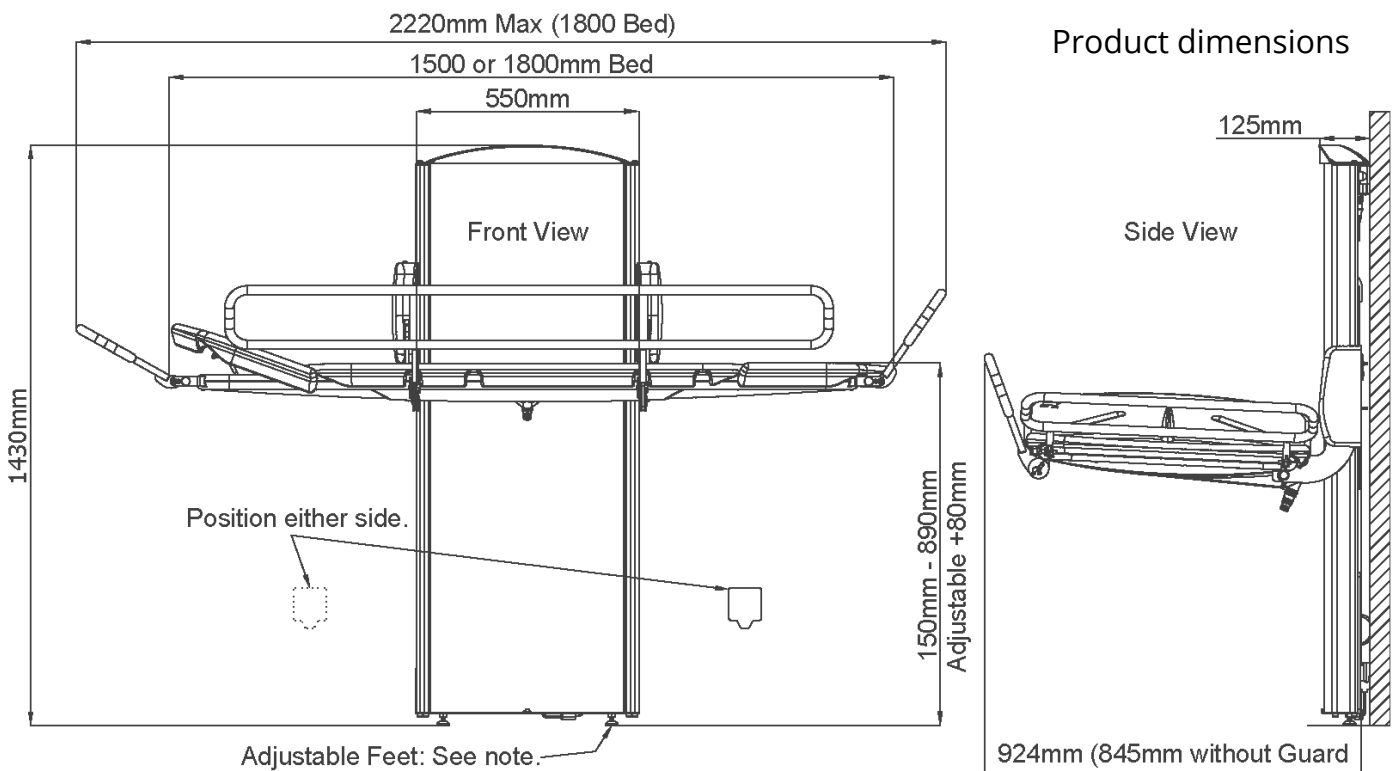
| | |
|------------------------------|--------------------------------------|
| A.C. Input: | 230Vac, 50Hz, 650W Maximum. |
| D.C. Output: | 30Vdc, 6A Maximum. |
| Duty cycle: | 10% maximum: 2min use & 18mins rest. |
| Product weight (Dry): | 70kg. |
| Maximum user weight: | 200kg. |
| 'A' weighted sound emission: | <70dB(A). |

Transport and storage:

| | |
|-----------------------------|---------------------------------|
| Ambient temperature range: | 5°C to 70°C. |
| Relative humidity range: | 10 - 80% not condensed at 20°C. |
| Atmospheric pressure range: | 50kPa to 106kPa. |

Recycling:

Battery: Recyclable. Not for disposal. Environmental danger.
 Packaging: Wood and corrugated cardboard, recyclable.
 The product: Electrical components, batteries, steel and plastic parts to be separated and recycled to local requirements.



Note: The adjustable feet allow the installation height to be adjusted by up to 80mm, which will allow adjustment to the operational height range. Should this adjustment not be enough, the changing table may be fully wall mounted so it can be installed further up the wall at the desired operational height.

Instructions for use.

Carry out the following checks daily before using the changing table:

Check the weight of the client and ensure the equipment is rated for the weight to be lifted.

Check the mains electrical supply is connected and turned on.

Check there are no obstructions or items that may be trapped when the changing table is operated.

Check that the changing table will raise and lower using the handset.

Getting the changing table ready for use (Fig1):

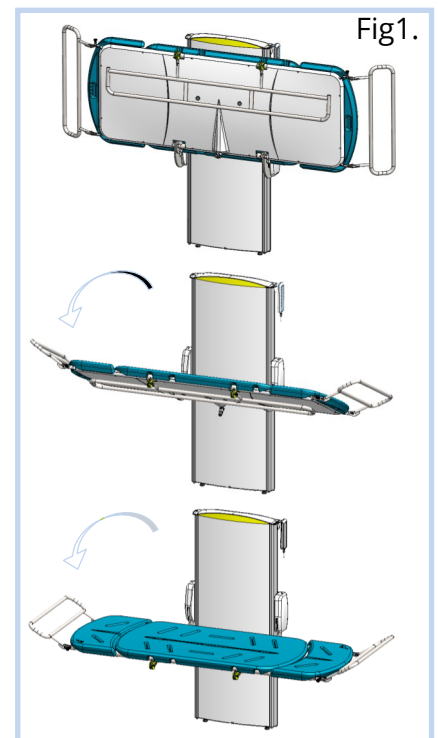
The changing table is held in the stowed position by gas springs. There is no release mechanism to operate before deploying the bed.

To move the bed from the stowed position:

Place your hand on the top edge of the bed.

Pull gently forward and the bed will begin to rotate down.

During the rotation, the bed will gain a little momentum, so position your hand underneath to aid it lowering slowly down.



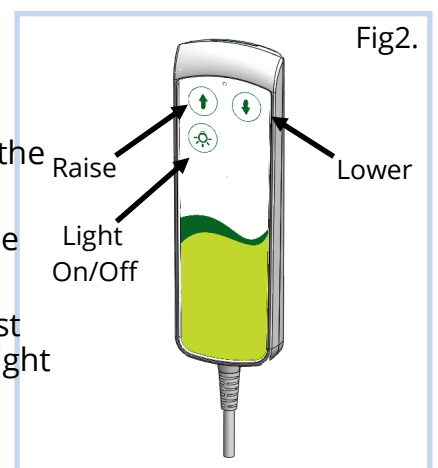
Adjusting the height of your changing table for use and operation of the light (Fig2):

The changing table is operated with a handset control.

Pressing either of the top buttons will either raise or lower the changing table to the desired height.

Pressing the light button will turn the built in light on top the changing table on /off.

Use the raise/lower buttons to position the table at the most convenient height to transfer the client. Then adjust the height again for use with the client positioned on the bed.



Instructions for use continued.

Using the guard and end guards:

Depending on the specification supplied, the changing table may have a front guard and two end guards.

To deploy the front guard (Fig3.):

Reach underneath the bed and take hold of the guard. The guard is stowed with magnets.

Pull down on guard so it rotates down. Take care not to let go as it may swing around on its own.

Rotate the guard forward and up into position.

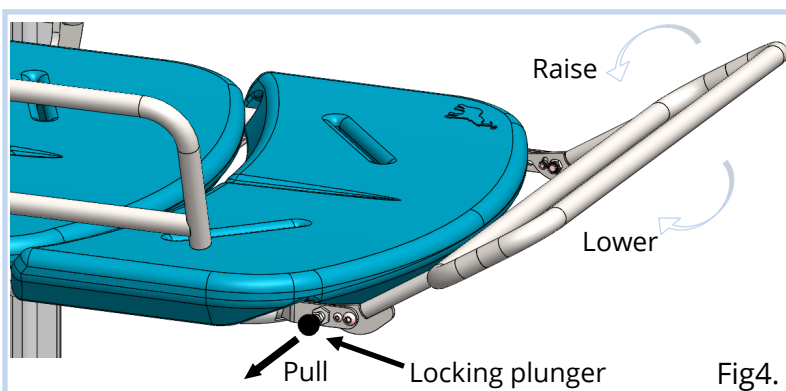
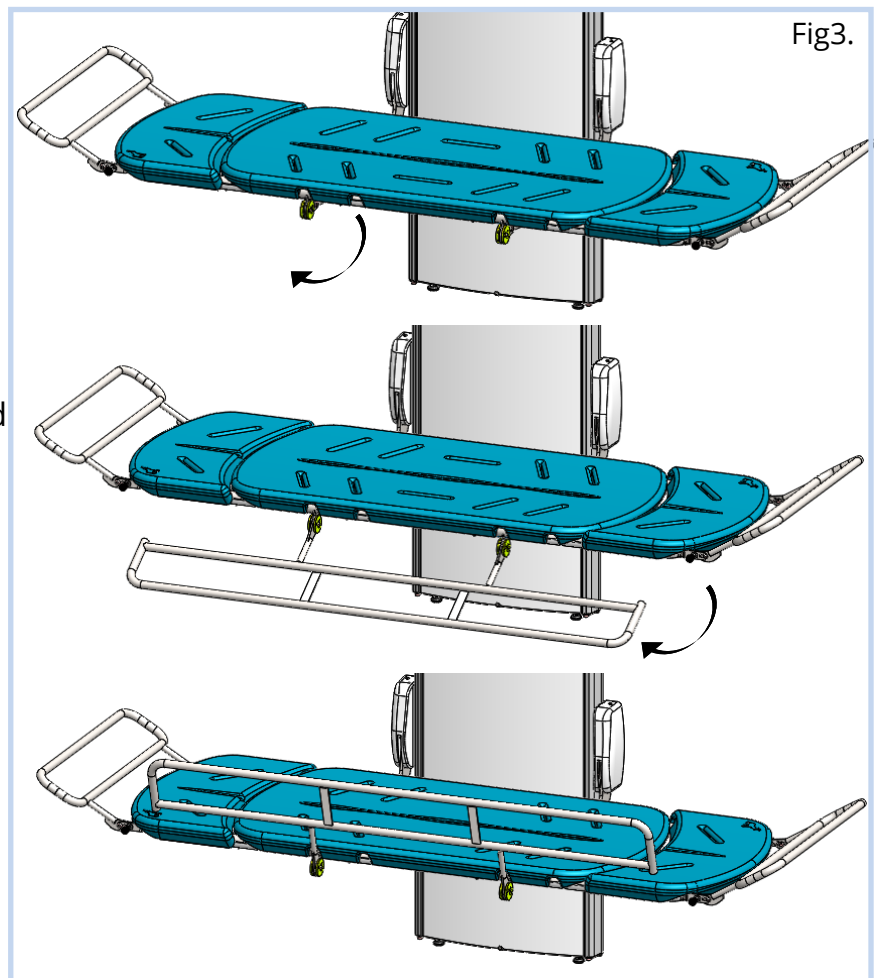
Once upright, the guard will be able to drop down into its location and lock into place.

To stow the guard:

Lift the guard up until it can be rotated back towards you.

Rotate the guard down and back underneath the stretcher.

Push the guard up underneath the bed until the magnets hold it.



To deploy the end guards (Fig4.):

Pull the locking plunger to release the guard.

Rotate the guard to the alternate position (raised or lowered).

Release the locking pin to lock the guard into position.

Instructions for use continued.

Using the headrests:

Depending on the specification supplied, the changing table may have one or two headrests fitted. Note the headrest will have the support bar at one end only, which will be put into the required position during installation.

To position the headrest (s) (Fig5.):

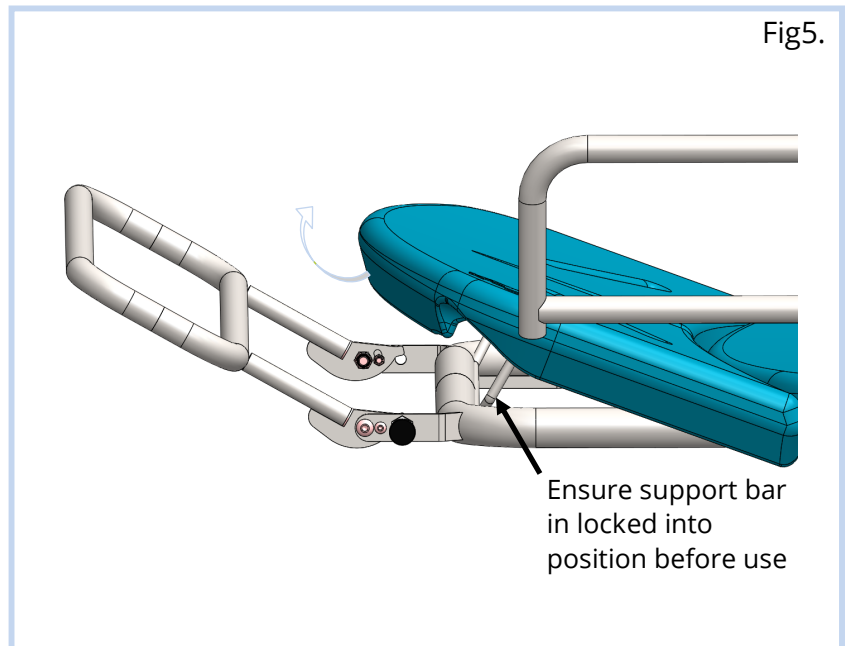
This should be done prior to the client being positioned on the bed.

Reach under headrest and lift up, it will rotate upwards.

As it rises, the support bar will drop down.

Ensure the support bar is firmly locked into position before use.

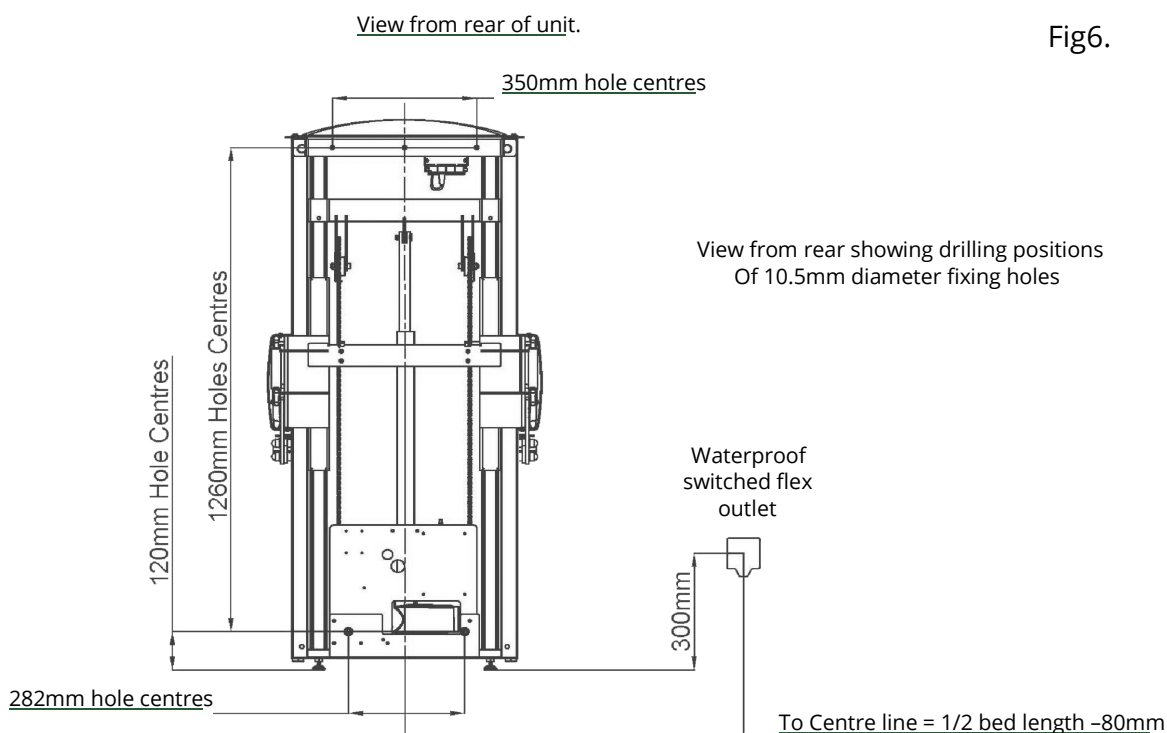
To stow the headrest, reverse the procedure. If the headrest is not required while the bed is in use, the client should sit forward while it is lowered.



Instructions for installation and fixing.

Before the changing table can be installed, the wall and mains electrical supply must have been prepared as set out in Pre Installation Document.

A copy of the information is shown below for easy reference (Fig6).



Installation Details.

Electrical requirement: A 230V, 1.25kW mains supply is required through a waterproof, switched flex outlet. This can be fitted either side of the changing table in the positions show in Fig1 and detailed in Fig2.

Fixing requirement: The CTX is wallmounted and can rest on the floor or be wholly fitted to the wall.

There should be a minimum clearance of 40mm at each end of the bed when installed.

The wall must be load bearing and strong enough to bear a load of 100kgs on each of the wall fixings. The wall must also be flat and free from obstructions from floor level to 1550mm and the width of the bed length specified, equal about the centreline of the unit.

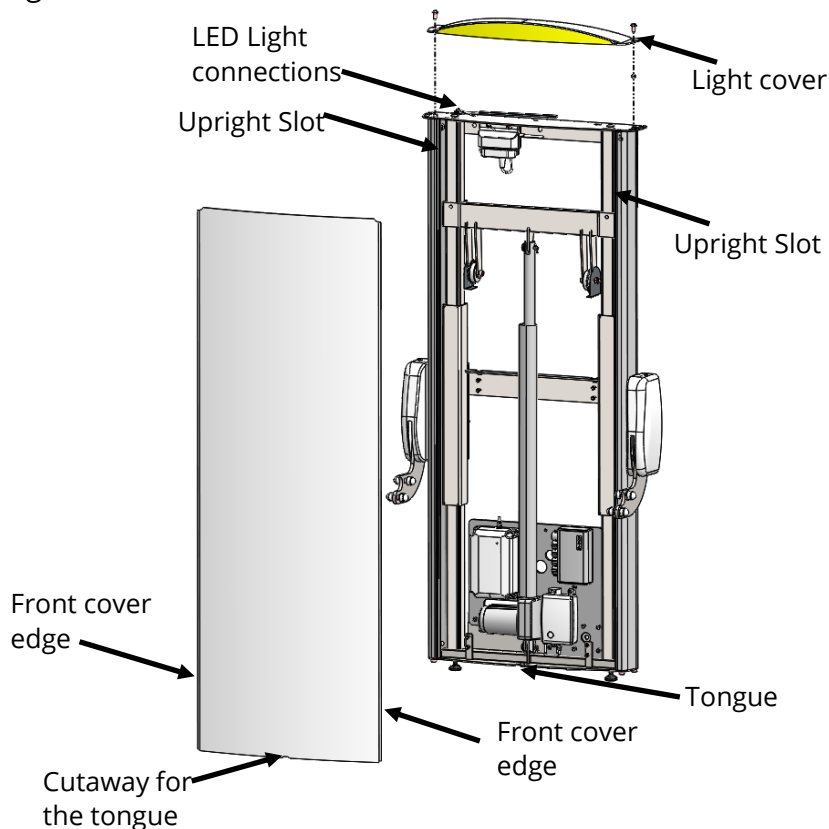
If the wall is a stud wall, either 100x100mm noggins can be cross-screwed (not nailed) into the wall or the wall can be faced with minimum 25mm thick marine ply, secured every 200mm. The marine ply must be in contact and supported by the floor if this option is chosen.

Please Note: The CTX cannot be fitted to metal frame Gypframe or similar stud walls unless it has been fully reinforced with timber struts that are secured top and bottom, with either noggins or marine ply.

Instructions for installation and fixing continued.

Once the changing table frame has been attached to the wall, the light, front cover and stretcher bed are to be fitted to it.

Fig7.



To fit the light and front cover (Fig7.):

The front cover is fitted by placing one side into the slot on the upright of the frame.

Once one side is in place, bend the cover until the other edge slots into the other upright.

Once both edges are in the slots, slide the cover down so that it engages with the tongue at the base.

To fit the stretcher bed (Fig8.).
Note this may require two people:

The stretcher bed brackets fit inside of the arm plates.

Once in position, fit the bolts, nuts, washers and caps (fixings) in the order shown.

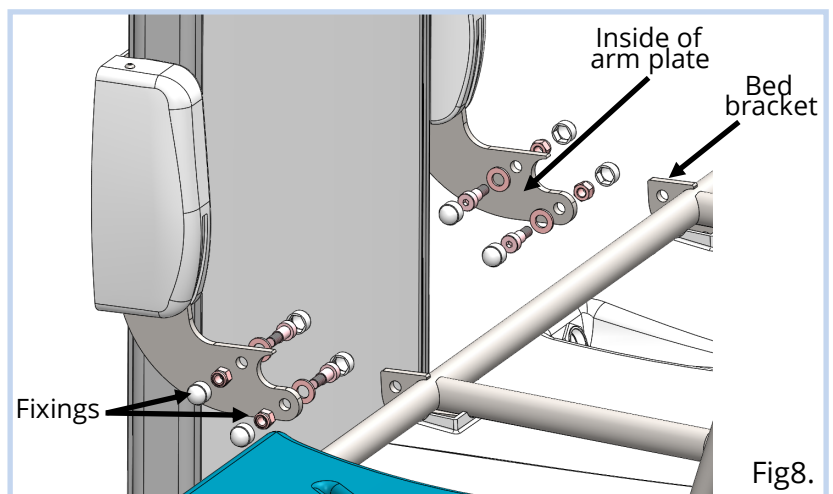


Fig8.

Instructions for cleaning and care

Caution:

The heavy use of oil based products may adversely affect the stretcher material. Oils and other petrochemical products should be avoided and any residue removed immediately. These products include, amongst others: Baby oil and emollient creams.

Cleaning:

Before cleaning, try a small test first in an inconspicuous area with the cleaning agent you are proposing to use.

The changing table may be cleaned using most mild cleaning agents or with a warm soapy water solution. The changing table should be rinsed off after cleaning and dried off with a soft cloth.

Chemical agents, abrasive compounds and solvents must not be used, i.e. drain cleaners, acetone, oven cleaners or acids.

Attention should always be paid to instruction labels for the cleaning agent.



Solutions for Transfer and Care

OpeMed (Europe) Ltd
Clockhouse
Farnham, Surrey
GU9 7UD
United Kingdom

Tel: +44 (0) 1252 758858
Fax: +44 (0) 870 161 9681
Email: info@opemed.net